

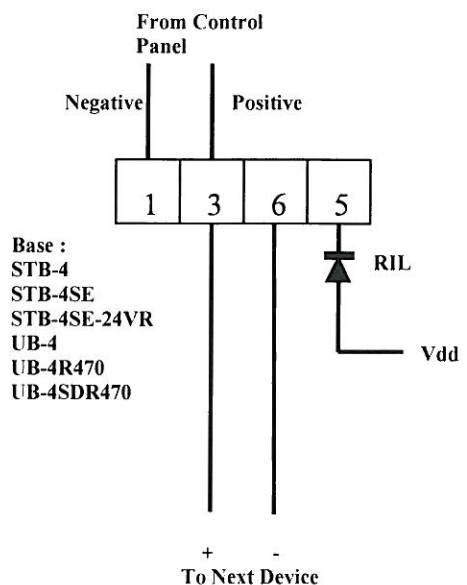
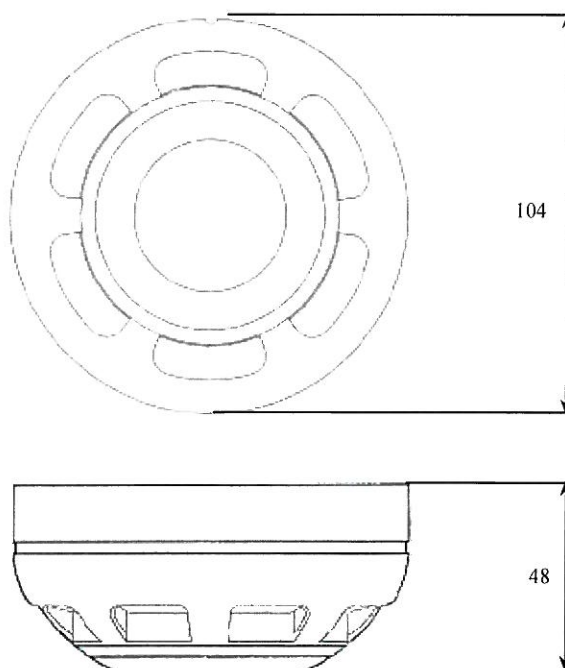
### TECHNICAL DATASHEET

#### Part Numbers and Product Order Codes:-

Part Number	- - - - -	ST-P-OM
Description	- - - - -	Conventional Optical Sensor.
Computer Reference Number	- - - - -	F02C82220

#### Technical Specifications:-

Sensor Method	- - - - -	Light Scatter
Sensor Element	- - - - -	1 x Light Emitting Diode
Operating Voltage	- - - - -	12V d.c. to 32V d.c.
System Voltage	- - - - -	24V d.c.
Quiescent Current	- - - - -	50µA
Alarm Current	- - - - -	50mA
Current for external remote LED indicator	- - - - -	2mA
Operating Temperature	- - - - -	- 10°C to + 55°C
Storage Temperature	- - - - -	- 20°C to + 60°C
Charging Time	- - - - -	20 Seconds
Relative Humidity	- - - - -	≤ RH95% non-condensing.
I.P. Protection Rating	- - - - -	IP40
Material	- - - - -	ABS
Dimensions	- - - - -	Ø104mm x 33mm (Sensor head) Ø104mm x 48mm (Sensor head and UB-4)
Mass	- - - - -	118g (Sensor head) 183g (Sensor head and UB-4 base)
EMC Conformance	- - - - -	EN54-7 : 2000
CE Conformity	- - - - -	Yes
Standards / Certification	- - - - -	EN54-7: 2000



**NOTE: In line with ST-P, external current limiting must be observed.**