

Exhaust Reels

Series V

New Product Announcement

DESCRIPTION

Reelcraft's Exhaust reels conveniently store lengths of large diameter exhaust hose. Designed to divert hazardous carbon monoxide gasses away from the workplace, these industrious reels are spring retractable and feature a latching mechanism that maintains the desired working length of hose.

BENEFITS

- **Safety** proper installation eliminates hazardous carbon monoxide gasses in the workplace.
- **Dependability** reel features two high quality industrial strength carbon drive springs to ensure that hose retracts every time.
- **Corrosion Resistant** components are individually powder coated providing excellent resistance against the environment
- **Versatility** Reel may be mounted from the ceiling, wall, and/or floor

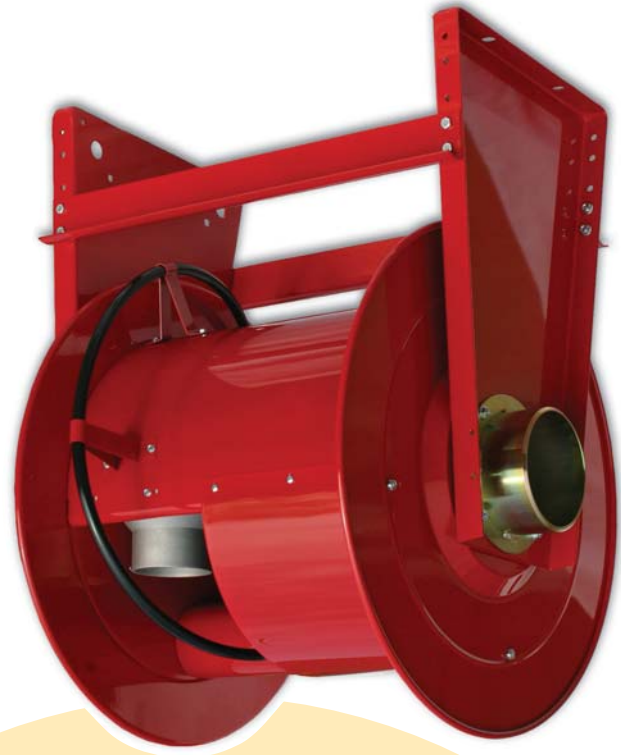
RELATED PRODUCTS

Reelcraft manufactures a full line of industrial strength hose, cord and cable reels. For a complete product listing contact your Reelcraft representative or visit us on the web at www.reelcraft.com.

APPLICATIONS

- Fleet Maintenance Facilities
- Diesel Repair Shops
- Truck Dealers
- Automobile Dealers
- Bus Garages
- Implement Dealers

NOTE: Exhaust reels and complete air ventilation systems are available through our air ventilation marketing partners. For a complete list of our air ventilation partners, contact customer service.

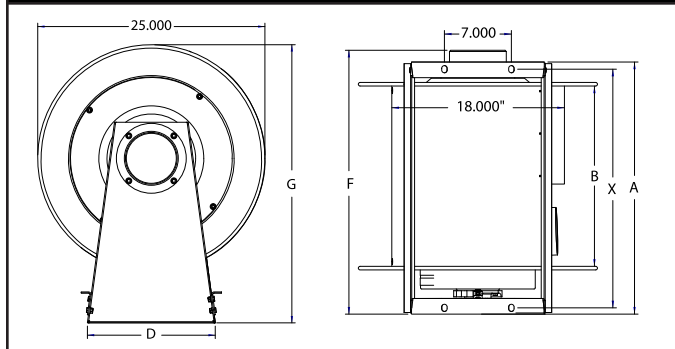


Model shown: V528-02-01-00

MADE IN USA

MODELS - 4" I.D. HOSE			MODELS - 5" I.D. HOSE			MODELS - 6" I.D. HOSE			DIMENSIONS					
MODEL less hose	LENGTH ft / m	WEIGHT lbs / kg	MODEL less hose	LENGTH ft / m	WEIGHT lbs / kg	MODEL less hose	LENGTH ft / m	WEIGHT lbs / kg	A	B	D	F	G	X
V419-02-01-00	22 7	112 51	V519-02-01-00	18 5	112 51	V619-02-01-00	15 5	112 51	24.25	19	14	27.75	31	25
V428-02-01-00	33 10	124 56	V528-02-01-00	26 8	124 56	V628-02-01-00	22 7	124 56	35.25	28	14	36.75	31	34
V432-02-01-00	38 12	132 60	V532-02-01-00	30 9	132 60	V632-02-01-00	25 8	132 60	39.25	32	14	40.75	31	38
						V648-04-01-00	38 12	168 76	55.25	48	14	43.75	31	54
Above models have a 4" (102mm) inlet and #260803, 4" hose adapter.			Above models have a 5" (102mm) inlet and a #260804, 5" hose adapter.			Above models have a 6" (102mm) inlet and #260805, 6" hose adapter.			Dimensions given in Inches					

DIMENSIONS



MODELS - 8" I.D. HOSE

MODEL less hose	LENGTH ft / m	WEIGHT lbs / kg	DIMENSIONS					
			A	B	D	F	G	X
V832-04-01-00	19 6	168 78	39.25	32	15	43.5	33.75	38
V848-04-01-00	28 9	193 87	55.25	48	15	59.5	33.75	54
Above models have a 8" (203mm) inlet and #602075-35, 8" hose adapter.								

HOSE BUMPER

P/N	DESC.
600138	4" - 8" Hose Stop

NOTE: Hose capacities are suggested by the manufacturer and do not reflect additional hanging hose. In most instances additional hose will hang off the reel, but is not to exceed 15ft. in length.

North America: 800-444-3134
 Europe: +44 (0) 1536 406999
 Pacific Rim: +63 (45) 625-6624
 China: (519) 8512 2391
 Latin America: 002-60-489-1685

Reelcraft Industries, Inc.
 2842 E. Business Highway 30
 Columbia City, IN 46725
 FAX: 260-248-2605
www.reelcraft.com

Reelcraft Industries is
ISO 9001:2000
 Certified Since 1996



EXHAUST REELS / SERIES V