

New Product Improvement

Series AB/BB/CB/EB/HB37000 Hose Reels New Product Improvement on 1" Series 30000

Reelcraft has taken the already extensively field tested Series 30000 design and modified it for even better performance in demanding applications requiring longer lengths of 1" I.D. hose. The new design helps to eliminate bearing misalignment due to heavy loads in high vibration mobile applications. The self-aligning bearing found on the previous revision (AA/BA/CA/EA/HA37000 reels) has been replaced on the 1" models in favor of an oil impregnated bronze sleeve bearing.

Related Products

For a more comprehensive guide to our entire product line, visit us on the web at www.reelcraft.com. Also, the specifics on this and other product improvements may be found in the Tech Bulletins section of our website.

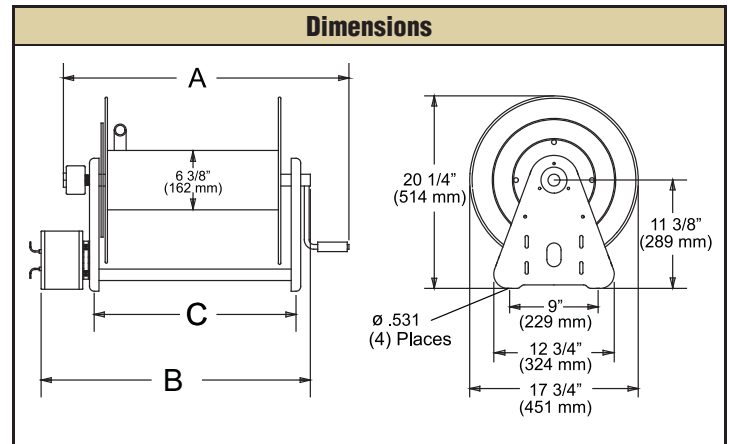


CB37118 L

Model Number Significance: EB37118 L12DX

E B 3 7 118 L 12DX	
Rewind Option	Swivel Size
A - Air motor B - Bevel crank C - Hand crank E - Electric motor H - Hydraulic motor	0 - No swivel 2 - 1/2" (13 mm) I.D. 3 - 3/4" (19 mm) I.D. 4 - 1/2" (13 mm) Dual 5 - 3/4" (19 mm) Dual 6 - 1/4" (6 mm) Dual 7 - 1" (25 mm) I.D. 8 - 1/2" (13 mm) I.D. pressure wash
Duty	Motor Type
A - Industrial B - Industrial (1" models) H - Mobile (1" models)	12D - 12 V DC 12DX - 12 V DC EXP. Proof 24D - 24 V DC 24DX - 24 V DC EXP. Proof 10A - 115 V AC 4A - 1 1/2 HP air motor 6A - 4 HP air motor None - Hand Crank None - Hydraulic

NOTE: This chart is for reference purposes only. Please see selection chart or consult manufacturer for additional models not listed or for any questions about option combinations.



Hose Size				Dimensional Data													
Hose I.D.	in	mm	Shipping Weight	Rewind Option Prefix	CB	BB	EB	EB	EB	EB	EB	EB	AB	AB	HB	C	
Hose O.D.	in	mm	Hose Length	Motor Type Suffix	--	--	12D	12DX	24D	24DX	10A	4A	6A	--			
Base Model Without Hose	ft	m		lbs	kg	Reel Inlet (F)NPTF	Reel Outlet (F)NPTF	A Hand Crank	B Bevel Gear Driven	B Elec. 1/3 HP, 12 V DC	B Elec. 1/2 HP, 12 V DC EXP. Proof	B Elec. 1/4 HP, 24 V DC	B Elec. 2/3 HP 24 V DC EXP. Proof	B Elec. 1/2 HP 115 V AC	B Air 4 AM 1 1/2 HP	B Air 6 AM 4 HP	B Hydraulic
Low Pressure Models (1000 psi max working pressure)																	
__37112 L__	50	15	46	21	1	1	25 3/4 654	25 3/4 654	23 7/8 605	23 7/8 605	23 7/8 605	23 7/8 605	23 7/8 605	23 1/4 591	23 1/4 591	21 3/8 543	15 3/4 400
__37118 L__	100	31	51	23	1	1	31 3/4 807	31 3/4 807	29 5/8 753	29 5/8 753	29 5/8 753	29 5/8 753	29 5/8 753	29 1/4 743	29 1/4 743	27 3/8 695	21 3/4 553
__37122 L__	125	38	62	28	1	1	35 3/4 908	35 3/4 908	33 5/8 854	33 5/8 854	33 5/8 854	33 5/8 854	33 5/8 854	33 1/4 845	33 1/4 845	31 3/8 797	25 3/4 654
__37128 L__	150	46	65	29	1	1	40 3/4 1035	40 3/4 1035	38 5/8 981	38 5/8 981	38 5/8 981	38 5/8 981	38 5/8 981	38 1/4 972	38 1/4 972	36 3/8 924	30 3/4 781

Note: Weights listed are for crank driven - Add for power driven, electric - all explosion proof 45 lb. (20.41 kg); 12 Volt D.C. 1/3 H.P. 30 lb. (13.61 kg); Air 6 AM 36 lb. (16.33 kg).
*Note: capacity chart is reference only. Operating temperature range -20 °F (-29 °C) to 250 °F (121 °C).

Reelcraft Industries, Inc.
2842 E. Business Hwy. 30
Columbia City, IN 46725
Fax: 260-248-2605

Toll Free Ph: 800-444-3134
Ph: 260-248-8188
www.reelcraft.com
reelcraft@reelcraft.com



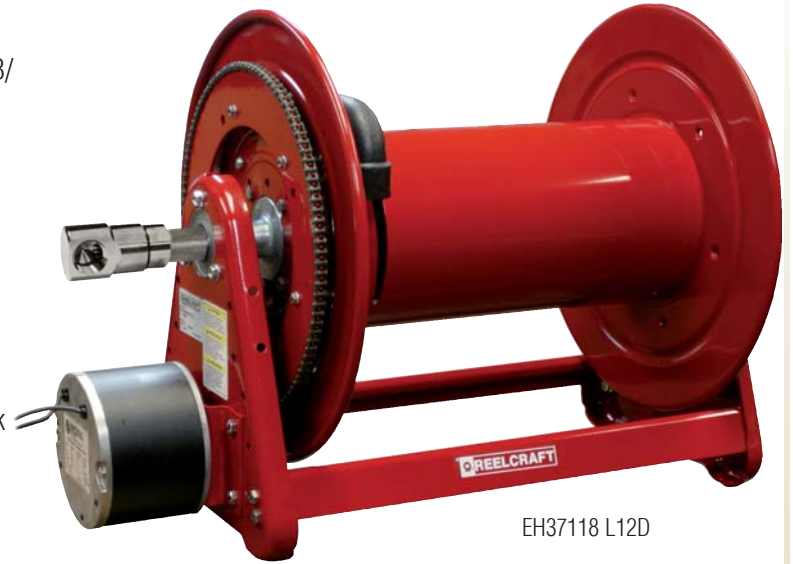
New Product Improvement

Series AH/CH/BH/EH37000 Hose Reels Heavy Duty 1" Series 30000 Option

In addition to the design improvements made to the Series AB/CB/BB/EB37000, these hose reels for mobile applications, feature a ductile fluid path, fully wrapped spool and 1" solid machined through shaft.

Series 30000 Benefits

- **Low Maintenance** Permanently lubricated oil impregnated bronze sleeve bearing
- **Strength** Four tie rods, solid spindle and fully wrapped spool add substantial rigidity, ideal for demanding applications.
- **Ingenuity** Hose can easily be connected to 1" ductile gooseneck casting and makes effortless transition onto spool.



EH37118 L12D



CH37118 L

Specifications

All 30000 reels:

- ✓ All bolted construction with self-locking fasteners
- ✓ Adjustable spool rotation drag brake
- ✓ Parts individually powder coated at the component level prior to assembly.
- ✓ Heavy gauge steel stamped components
- ✓ 4 - 3/8" tie rods

AB/CB/BB/EB

- ✓ Oil impregnated bronze sleeve bearing

AH/CH/BH/EH

- ✓ Oil impregnated bronze sleeve bearing
- ✓ 1" solid through shaft connects to spindle
- ✓ Available in low and medium pressure to 3000 PSI
- ✓ Fully wrapped spool
- ✓ Engineered relief stamped into spool wrapper for effortless hose transition.
- ✓ Designed for rigidity in mobile applications where road vibration is prevalent.
- ✓ Ductile iron gooseneck

Hose Size				Dimensional Data																								
Hose I.D.	in	1	Shipping Weight	Rewind Option Prefix	CH	BH	EH	EH	EH	EH	EH	AH	AH	HH	C													
Hose O.D.	mm	25		Motor Type Suffix	--	--	12D	12DX	24D	24DX	10A	4A	6A	--														
Base Model Without Hose	Hose Length	ft	m	Reel Inlet (F)NPTF	Reel Outlet (F)NPTF	A	B	B	B	B	B	B	B	B	in	mm												
						Hand Crank	Bevel Gear Driven	Elec. 1/3 HP, 12 V DC	Elec. 1/2 HP, 12 V DC EXP	Elec. 1/4 HP, 24 V DC	Elec. 2/3 HP, 24 V DC EXP	Elec. 1/2 HP, 115 V AC	Air 4 AM 1 1/2 HP	Air 6 AM 4 HP			Hydraulic											
Low Pressure Models (1000 psi max working pressure)																												
__37112 L__	50	15	52	24	1	1	25 3/4	654	25 3/4	654	23 7/8	605	23 7/8	605	23 7/8	605	23 7/8	605	23 1/4	591	23 1/4	591	21 3/8	543	15 3/4	400		
__37118 L__	100	31	58	26	1	1	31 3/4	807	31 3/4	807	29 5/8	753	29 5/8	753	29 5/8	753	29 5/8	753	29 5/8	753	29 1/4	743	29 1/4	743	27 3/8	695	21 3/4	553
__37122 L__	125	38	70	32	1	1	35 3/4	908	35 3/4	908	33 5/8	854	33 5/8	854	33 5/8	854	33 5/8	854	33 5/8	854	33 1/4	845	33 1/4	845	31 3/8	797	25 3/4	654
__37128 L__	150	46	74	34	1	1	40 3/4	1035	40 3/4	1035	38 5/8	981	38 5/8	981	38 5/8	981	38 5/8	981	38 5/8	981	38 1/4	972	38 1/4	972	36 3/8	924	30 3/4	781

Note: Weights listed are for crank driven - Add for power driven, electric - all explosion proof 45 lb. (20.41 kg); 12 Volt D.C. 1/3 H.P. 30 lb. (13.61 kg); Air 6 AM 36 lb. (16.33 kg).
*Note: capacity chart is reference only. Operating temperature range -20 °F (-29 °C) to 250 °F (121 °C).

Reelcraft Industries, Inc.
2842 E. Business Hwy. 30
Columbia City, IN 46725
Fax: 260-248-2605

Toll Free Ph: 800-444-3134
Ph: 260-248-8188
www.reelcraft.com
reelcraft@reelcraft.com

