



Monsoon RC

High flow electric remote control monitor

Revolutionary geometry leading and unbeatable range

- **Flow from 600 to 8000 l/min** – (max. 16 bar).
- **Elevation** : +90° à -45°
- **Rotation** : 450°, 225° either side of the center position.
- Field changeable horizontal rotation stops at 45°, 90° and 133° either side of the center position
- Material : **Aluminium with corrosion proof Process** (inside and outside Hardcoat anodized / Polyester powder coated)
- Power cable has only 4 conductors (two for power and two for communication)
- Built in Control panel mounted on the monitor (large range of accessories)
- **Handwheels for manual override** are provided.
- Electric drives and control panel are **IP65**.
- Design for 12VDC or 24VDC operation
- **Optional electric telescopic mast Top Gun RC 4"**



- Revolutionary geometry leading to reduce pressure loss (0.7 bar at 6000 l/min) and unbeatable range.
- Body in anodised aluminium models
- 9m of cable already wired to the monitor so installation effort is minimized.



MONSOON RC MONITOR

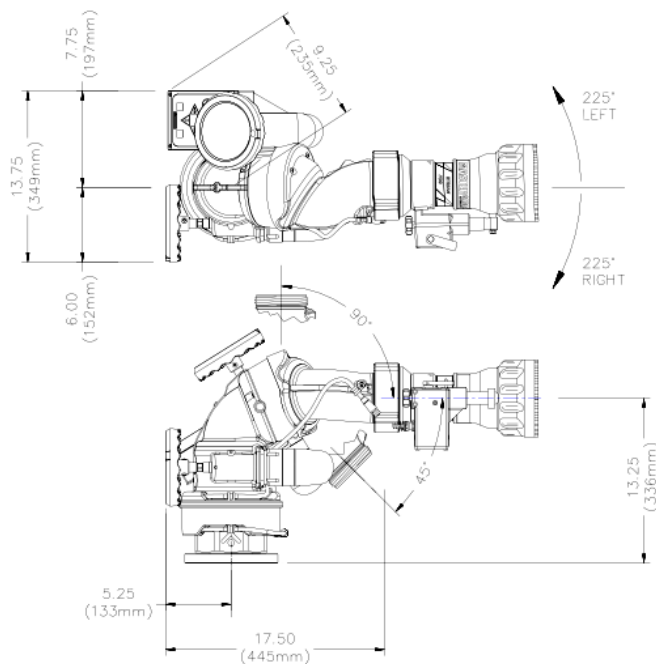
MONSOON RC MONITOR - DN80/PN16 - ALU	112.02.019
MONSOON RC MONITOR - DN100/PN16 - ALU	112.02.021
MONSOON RC MONITOR - 3"ASA150 - DN80/PN20 - ALU	112.02.022
MONSOON RC MONITOR - 4"ASA150 - DN100/PN20 - ALU	112.02.023
MONSOON RC MONITOR - FOR TOPGUN RC3" - ALU	112.02.031
MONSOON RC MONITOR - FOR TOPGUN RC4" - ALU	112.02.032

ACCESSORIES

MASTERMATIC 4500 ER NOZZLE- 600 to 4500 l/min -4" BSP F	112.42.030
MASTERMATIC 8000 ER NOZZLE - 1135 to 8000 l/min -4" BSP F	112.42.010
PRIMARY OPERATOR STATION	112.48.151
OPTIONAL OPERATOR STATION	112.48.152
PORTABLE OPERATOR STATION W/ 9M WIRE	112.48.153
PORTABLE OPERATOR STATION W/ 30M WIRE	112.48.154
WIRELESS OPERATOR STATION (UP TO 150M)	112.48.164
JOYSTICK STATION	112.48.160
MONITOR POSITION DISPLAY	112.48.159
REMOTE CONTROL TOPGUN TELESCOPIC MAST 4"	112.48.157



MONSOON RC with Mastermatic 8000



ZF02.022.EN.1

As it is our policy to constantly seek to improve our products, we reserve the right to change the specifications of our equipment without notice

