



Hurricane RC

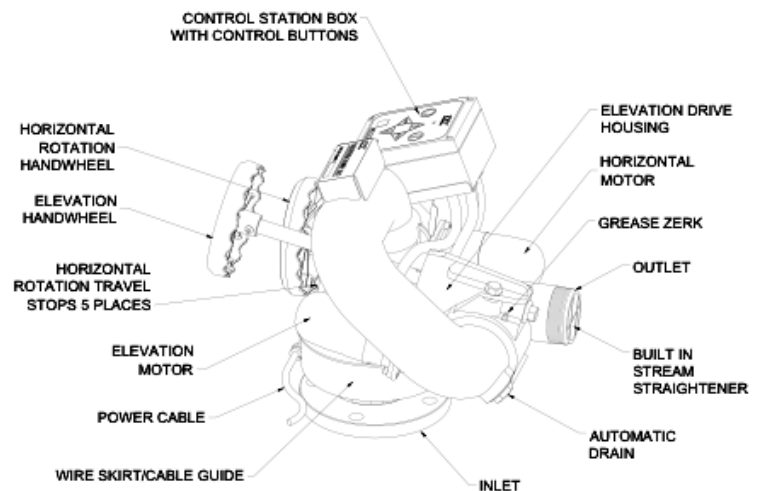
Electric remote control monitor

Compact and rugged

- **Flow from 600 to 4500 l/min** – (max. 16 bar)
- **Elevation :** +90° à -45°
- **Rotation :** 450°, 225° either side of the center position.
- **Field changeable horizontal rotation stops** at 45°, 90° and 133° either side of the center position
- Power cable has only 4 conductors (two for power and two for communication)
- **Control panel mounted on the monitor** for controlling rotation, elevation and nozzle pattern
- Handwheels for manual override are provided.
- Electric drives and control panel are **IP65**.
- Design for 12VDC or 24VDC operation
- **Optional electric telescopic mast** Top Gun RC 3" or RC4".



- Body in anodised aluminium
- Pressure loss : 0.7 at 3000 l/mn
- Rotation : 450°
- ATEX model available
- Manual versions available



Hurricane remote control monitor

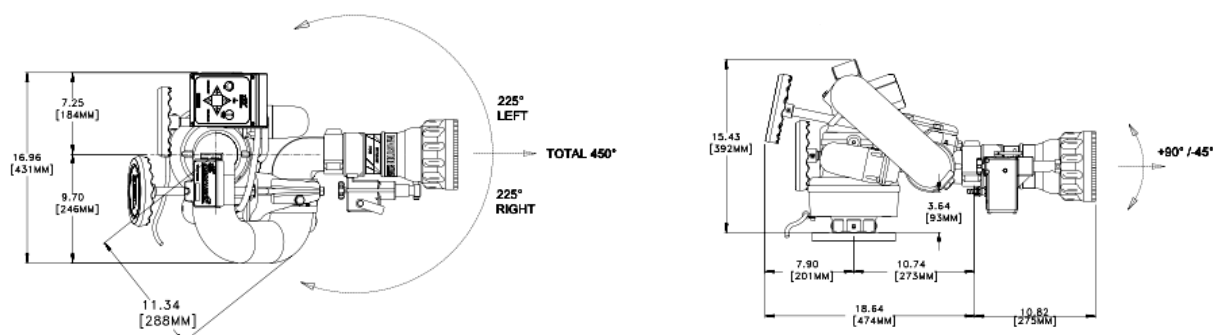
HURRICANE RC MONITOR - DN80/PN16 - ALU	112.02.017
HURRICANE RC MONITOR - DN100/PN16 - ALU	112.02.018
HURRICANE RC MONITOR - 3" ASA150 - DN80/PN20 - ALU	112.02.015
HURRICANE RC MONITOR - 4" ASA150 - DN100/PN20 - ALU	112.02.016
HURRICANE RC MONITOR - FOR TOPGUN RC3" - ALU	112.02.029
HURRICANE RC MONITOR - FOR TOPGUN RC4" - ALU	112.02.028

Accessories

MAXMATIC ER NOZZLE - 200 à 2000 l/min - ENTREE 2.5 " BSP F	112.42.034
MAXFORCE ER NOZZLE - 400 to 2000 l/min - INLET 2.5 " BSP F	112.42.036
MASTERMATIC 4500 ER NOZZLE - 600 à 4500 l/min - ENTREE 2.5 " BSP F	112.42.006
PRIMARY OPERATOR STATION	112.48.151
OPTIONAL OPERATOR STATION	112.48.152
PORTABLE OPERATOR STATION W/ 9M WIRE	112.48.153
PORTABLE OPERATOR STATION W/ 30M WIRE	112.48.154
WIRELESS OPERATOR STATION (UP TO 150M)	112.48.164
JOYSTICK STATION	112.48.160
MONITOR POSITION DISPLAY	112.48.159
REMOTE CONTROL TOPGUN TELESCOPIC MAST RC3"	112.48.156
REMOTE CONTROL TOPGUN TELESCOPIC MAST 4"	112.48.157



HURRICANE RC with Mastermatic 4500



ZF02.021.EN.1

As it is our policy to constantly seek to improve our products, we reserve the right to change the specifications of our equipment without notice

