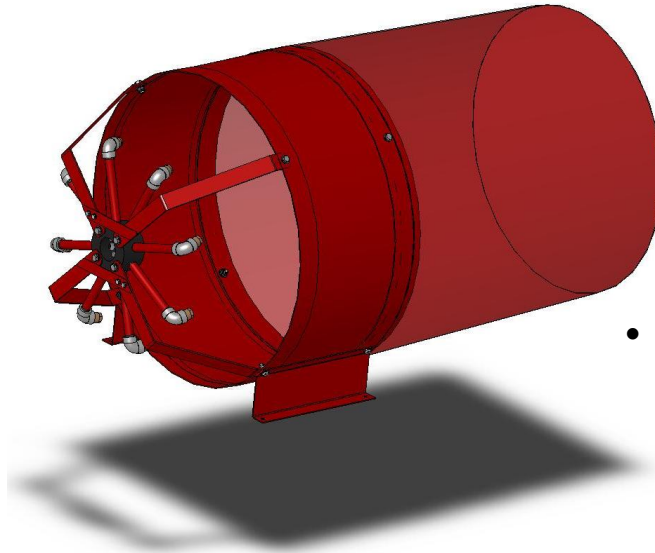


Alpha Generator HF + 400

High Expansion Foam Generator

"High Performance / Low Price "

R12

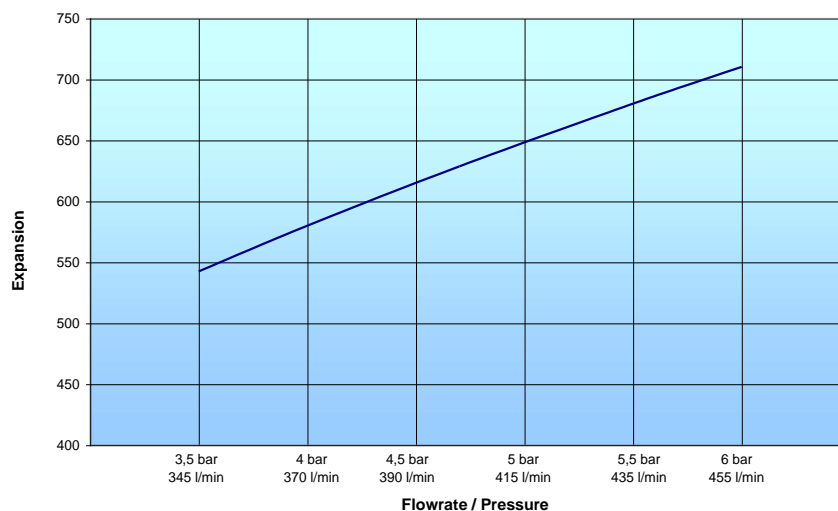


Characteristics :

- Flow rate: 400 l/min at 5 bar
 - Maximum Pressure : 8 bar
- Body made in steel with epoxy coating
 - Brass Sprayer
 - 2"½ female BSP connector
- Dim. : L.1804 x W. 973x H 973 mm
 - Weight : 56kg
- Reference : I30.30.051

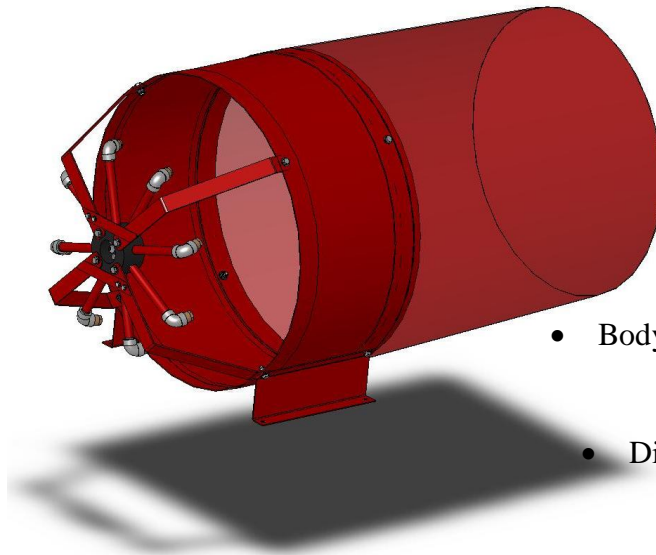
Model	Expansion 4 bar	Expansion 6 bar	Foam tested
I30.30.051	540	720	Biofoam 5
	670	-	Hydropol 6
	575	735	Ecopol 3

Performances:



Alpha Generator HF + 200

High Expansion Foam Generator

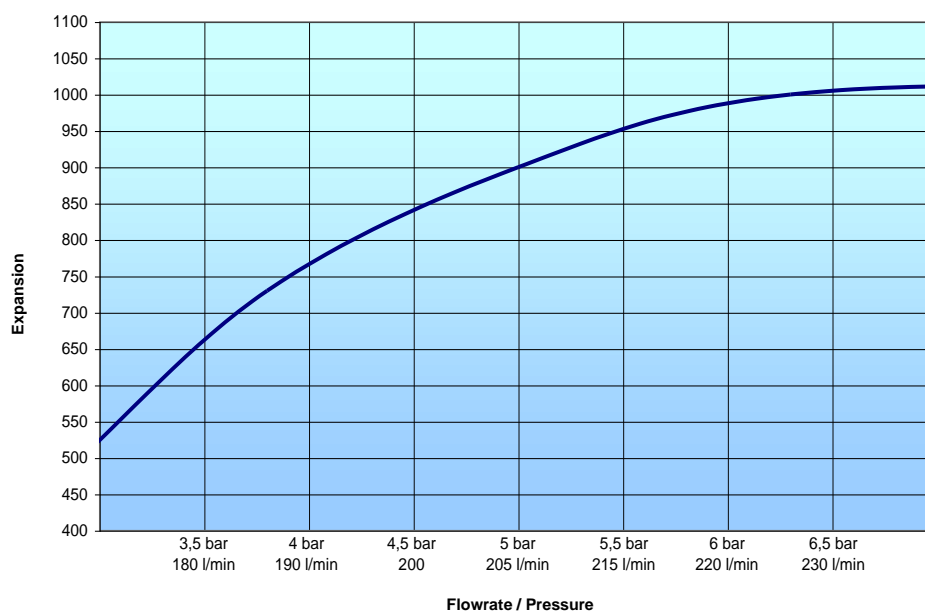


Characteristics :

- Flow rate: 200 l/min at 5 bar
- Maximum pressure : 8 bar
- Body made in steel with epoxy coating
 - Brass Sprayer
- 2"½ female BSP connector
- Dim. : L.1804 x W. 973x H 973 mm
 - Weight : 56kg
- Réference : I30.30.052

Model	Expansion 4 bar	Expansion 6 bar	Foam tested
I30.30.052	770	990	Ecopol
	730	935	BioFoam 5

Performances:



As it is our policy to seek constant improvement of our products, we reserve the right to modify the specifications of our equipment without notice.