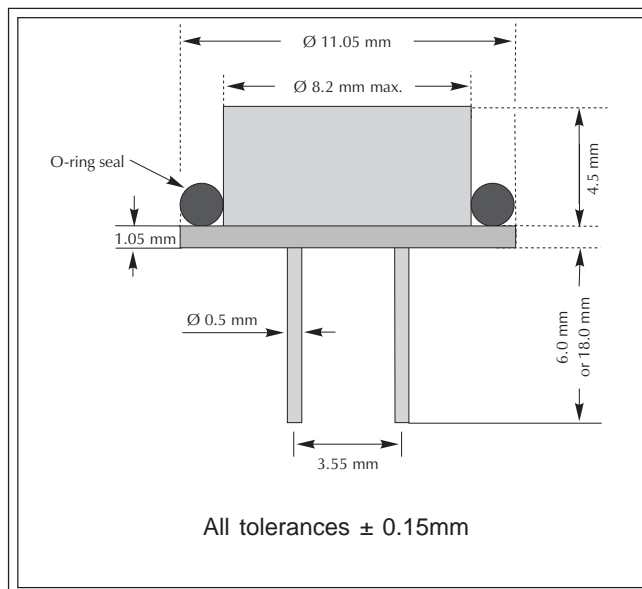




P50 CiTipeL[®]

Performance Characteristics

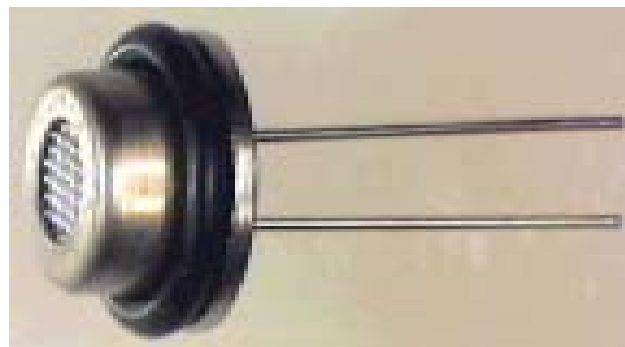
Gases Detected	Most combustible gases and vapours
Range	0-100% LEL
Operating Voltage	4.25 ± 0.1 V d.c.
Detector Operating Current	<60mA
Output Sensitivity	36 to 56 mV/%methane
T₉₀ Response Time	<15 seconds
Linear to	0-3% methane
Long Term Sensitivity Drift	<5% signal/month
Long Term Zero Drift	<5%LEL _{methane} /month
Warranty Period	12 months from date of despatch



Ordering Information

P50 CiTipeLs are available with 0.5mm diameter pins, 18mm long suitable for direct mounting on a PCB.

Order Code
with 18mm pin connection P50-E



It is recommended that confirmation of adequate sensor performance be conducted on a regular basis by means of a defined, sensor calibration procedure. The calibration frequency will depend upon the environment in which the sensor is operated and on the perceived level of risk from the build up of flammable atmospheres.

Every effort has been made to ensure the accuracy of this document at the time of printing. In accordance with the company's policy of continued product improvement City Technology Limited reserves the right to make product changes without notice. No liability is accepted for any consequential losses, injury or damage resulting from the use of this document or from any omissions or errors herein. The data is given for guidance only. It does not constitute a specification or an offer for sale. The products are always subject to a programme of improvement and testing which may result in some changes in the characteristics quoted. As the products may be used by the client in circumstances beyond the knowledge and control of City Technology Limited, we cannot give any warranty as to the relevance of these particulars to an application. It is the clients' responsibility to carry out the necessary tests to determine the usefulness of the products and to ensure their safety of operation in a particular application.

Performance characteristics on this data sheet outline the performance of newly supplied sensors. Output signal can drift below the lower limit over time.