

FOAM MONITOR VARUN 443

STAINLESS STEEL VARIABLE & FIX FLOW
500-750-1000 GPM



TECHNICAL DATA

MONITOR MODEL	VARUN 443
NOMINAL SIZE	4 Inch (100 MM)
MAX. SERVICE PRESSURE	175 PSI (12 Bar)
NOZZLE MODEL	VARSHA H4 Fix flow self inducing VARSHA H4V Variable flow self inducing H4 - 500 GPM H4 - 750 GPM H4 - 1000 GPM H4V - 500-750 GPM H4V - 750-1000 GPM H4V - 500-1000 GPM H4V - 500-750-1000 GPM
INDUCTION RATE	3% (3 to 3.9%)
FACTORY HYDRO TEST PRESSURE	350 PSI (25 Bar)
MATERIAL	STAINLESS STEEL
OPTIONAL SUPPLY	Pressure Guage
NOZZLE THRUST REACTION IN KG.	Flow in LPM X $\sqrt{\text{Pressure}}$ in Kg./sq.cm. X 0.0228
INLET CONNECTION	4" OR 6" (100 or 150 NB) Flange to ANSI B16.5 #150, R.F.
END CONNECTION	4" BSP Monitor & Nozzle
PICKUP TUBE	Clear PVC, Sprial wound with SS dip Tube
MONITOR ELEVATION	90 Deg. above horizontal & 65 Deg. below horizontal
MONITOR ROTATION	360 Deg. continuous
MONITOR MOVEMENT	Double hand wheel driven enclosed worm gear
APPROVAL	UL Listed
FINISH	Red RAL 3000 Standard supply Optional -As per customer requirement
MONITOR WEIGHT	With H4 Nozzle 77.5 Kg With H4V Nozzle 79.5 Kg
ORDERING INFORMATION	Specify (i) Monitor model & inlet size (ii) Nozzle model & flow (iii) Material specification



DESCRIPTION

Corrosion resistant stainless steel monitor Model VARUN 443 is durable manual controlled low profile monitor for fixed installation as well as trailer mounted unit. The monitor is generally used for protection of flammable liquid storage tanks, loading racks, dykes marine and many other Industrial application.

The Monitor possess several design features that provides ease of operation, minimum maintenance and resistance to normally destructive environments. The monitor is used with fix flow or variable flow nozzle.

The monitor has welded stainless steel 4 inch (100 MM) waterway. The vertical and horizontal rotation is through stainless steel swivel joints with double row of stainless steel ball bearing. Both Vertical and horizontal movement is controlled with handwheel driven enclosed worm gear.

The monitor has large flow capacity and can be manually operated by a single fire fighter. The design ensures to prevent jet reaction forces from effecting the horizontal and vertical position of the monitor. The monitor has the ability for 360 deg. continuous horizontal rotation and angle of elevation is adjustable from 90 deg. above horizontal to 65 deg. below horizontal.

The water vanes in discharge tube reduces the turbulence and friction loss, thus increasing the nozzle performance to achieve greater range. To ensure desired performance, all the flow specified is at monitor base inlet pressure.

NOZZLE OPERATION INSTRUCTIONS

a) FLOW CHANGE

In case of variable flow Nozzle model H4V, to change the flow, press the knob and rotate to match the arrow of knob and marking line on Nozzle. After flow setting set the concentrate induction by rotating the knob of induction valve.

b) CHANGE SPRAY TO JET

To change spray angle, rotate the pattern sleeve clockwise for straight stream or anticlockwise to spray/fog pattern.

c) NOZZLE DUST PROTECTION CAP

Nozzle Dust Protection Cap - Model DH4 is optional supply. This cap protects nozzles operating parts from dust and bird nesting.

INSTALLATION, TESTING & MAINTENANCE

The monitor must be installed and operated carefully by a trained person, having good knowledge of equipment. Before assembly of the monitor to supply piping, thoroughly flush the piping with water to avoid sand, residue, welding slag or other debris hindering the proper functioning of the monitor.

After few initial successful tests, an authorized person must be trained to perform the inspection and testing of the monitor.

The monitor should be ready for use. To achieve this condition, scheduled inspection and maintenance operation should be performed and it must be recorded in the maintenance register book indicating the requirement or recommendation. The recommended maintenance, procedure must be followed as given in the manual and also as per the local authority having jurisdiction.

It is recommended to carry out weekly physical inspection of the monitor. The inspection should verify that no damage has taken place to any component and the monitor is ready for use.

Carry out functional test every month for the flow, regular rotation in horizontal and vertical plane for the entire operating range to observe any leakage.

Periodic proper greasing through grease nipple provided on bearing, worm wheel and worm shaft must be ensured. Use water resistant low friction synthetic grease. Lubrication is required for smooth operation.

Each monitor must be operated with full flow in accordance to the guidelines of the organisation having local jurisdiction.

The owner is responsible for maintaining the equipment in proper operating condition.

Periodical flushing of the Nozzle with clean water and movement of moving parts, will allow Nozzle to operate as designed.

CAUTION

A trained personnel for fire fighting must use the monitor. Appropriate guidance & training must be given to reduce the risk or injury.

The nozzle must be fixed to the monitor carefully. The flange bolts must be tightened uniformly.

The piping must be able to with stand the horizontal reaction force. Serious injury to personnel and equipment can result from improper installation.

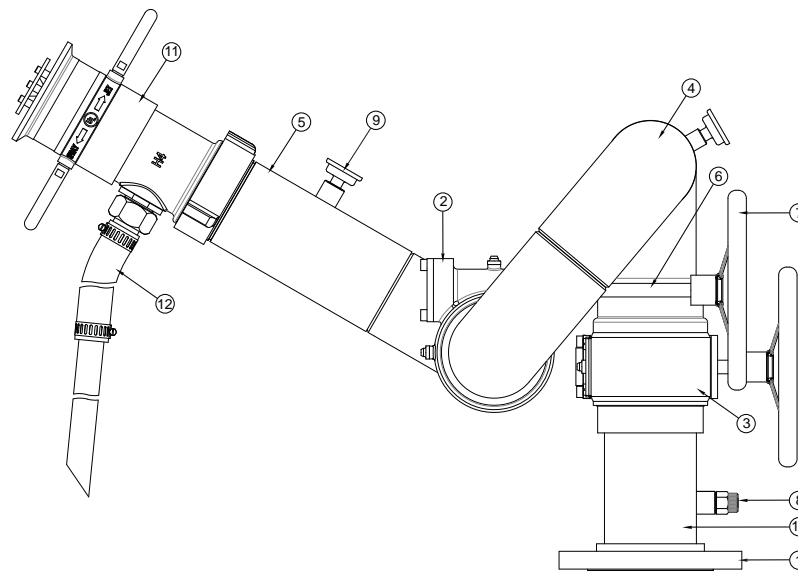
When installing monitor it is critical that flange bolts be tightened uniformly to prevent cocking of the monitor relative to the flange or valve.

Before flowing water from monitor, check that all personnel are out of stream path and stream direction will not cause avoidable property damage.

Application of water or foam on an electric appliance can cause serious injury.

The water supply to monitor must be increased / decreased gradually to prevent possible water hammer occurrence.

If dust protection cap for nozzle is used, then make sure that cap is removed before starting of monitor



PART LIST

ITEM NO.	DESCRIPTION	MATERIAL SPECIFICATION
1	BASE FLANGE	STAINLESS STEEL
2	WORM WHEEL	STAINLESS STEEL
3	SWIVEL JOINT V & H ROTATION	STAINLESS STEEL
4	ELBOW	STAINLESS STEEL SCH40
5	DISCHARGE ELBOW	STAINLESS STEEL SCH40
6	WORM SHAFT	STAINLESS STEEL
7	HAND WHEEL	STAINLESS STEEL
8	DRAIN VALVE	STAINLESS STEEL
9	PRESSURE GAUGE	GLYCERIN FILLED 0 TO 16 KG/ SQ.CM. (OPTIONAL)
10	INLET PIPE	STAINLESS STEEL
11	NOZZLE	STAINLESS STEEL
12	PICKUP TUBE	CLEAR PVC

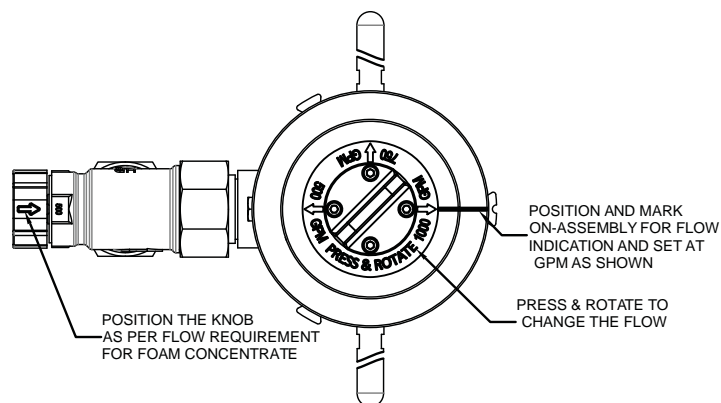
FOAM REACH DATA

Set Flow Rate GPM	Concentrate Induction Rate in %	Monitor Base Pressure in Kg/Cm ²	Reach in Still Air (in metres)	
			Water	Foam
500	3	7	50	45
750	3	7	60	55
1000	3	7	65	60

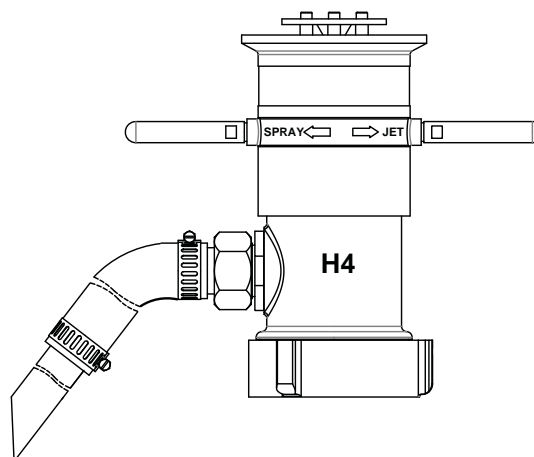
Note :

- 1) Monitor inlet flange standard size is 100NB (4") to ANSI B16.5, 150#, Other optional sizes 150NB (6")
- 2) Flow is within $\pm 5\%$
- 3) Standard Supply - SS304/ASTM A-351-CF8
Optional Supply - A) SS316/ASTM A-351-CF8M B) SS316L/ASTM A-351-CF8ML
- 4) Foam reach data is in still air at 30/35° Nozzle elevation

VARIABLE FLOW FOAM NOZZLE - H4V



FIX FLOW FOAM NOZZLE - H4



LIMITED WARRANTY

HD FIRE PROTECT PVT. LTD. hereby referred to as HD FIRE warrants to the original purchaser of the fire protection products manufactured by HD FIRE and to any other person to whom such equipment is transferred, that such products will be free from defect in material and workmanship under normal use and care, for two (2) years from the date of shipment by HD FIRE. Products or Components supplied or used by HD FIRE, but manufactured by others, are warranted only to the extent of the manufacturer's warranty. No warranty is given for product or components which have been subject to misuse, improper installation, corrosion, unauthorized repair, alteration or un-maintained. HD FIRE shall not be responsible for system design errors or improper installation or inaccurate or incomplete information supplied by buyer or buyer's representatives.

HD FIRE will repair or replace defective material free of charge, which is returned to our factory, transportation charge prepaid, provided after our inspection the material is found to have been defective at the time of initial shipment from our works. HD FIRE shall not be liable for any incidental or consequential loss, damage or expense arising directly or indirectly from the use of the product including damages for injury to person, damages to property and penalties resulting from any products and components manufactured by HD FIRE. HD FIRE shall not be liable for any damages or labour charges or expense in making repair or adjustment to the product. HD FIRE shall not be liable for any damages or charges sustained in the adaptation or use of its engineering data & services. In no event shall HD Fire's product liability exceed an amount equal to the sale price.

The foregoing warranty is exclusive and in lieu of all other warranties and representation whether expressed, implied, oral or written, including but not limited to, any implied warranties or merchantability or fitness for a particular purpose. All such other warranties and representations are hereby cancelled.

NOTICE :

The equipment presented in this bulletin is to be installed in accordance with the latest publication standards of NFPA or other similar organisations and also with the provision of government codes or ordinances wherever applicable.

The information provided by us are to the best of our knowledge and belief, and are general guidelines only. Site handling and installation control is beyond our reach. Hence we give no guarantee for result and take no liability for damages, loss or penalties whatsoever, resulting from our suggestion, information, recommendation or damages due to our product.

Product development is a continuous programme of HD FIRE PROTECT PVT. LTD. and hence the right to modify any specification without prior notice is reserved with the company.