



# LEADER Foam

**Low expansion pourer – from 250 to 2500 l/min**

## Fixed extinguishing system

Designed for the protection of a Bunded Area (suitable for floating roof), The LEADER Foam GENERATOR transforms the premix (water + foam concentrate) into a LOW expansion foam that can be applied freely with little or no effects from wind.

- Painted steel body, Inox 304L or Inox 316. Plastic flap and trap door for maintenance.
- Reversible pourer, with left / right selectable entry port to suit location.
- Outlet equipped with a protective plastic flap.
- 3 models:
  - DN65
    - Flow: from 250 to 500 l/min
    - Weight: 12kg
    - Total length: 1005 mm
  - DN80
    - Flow: from 550 to 1000 l/min
    - Weight: 24 kg
    - Total length: 1205 mm
  - DN 100
    - Flow: from 1100 to 2500 l/min
    - Weight: 34 kg
    - Total length: 1905 mm

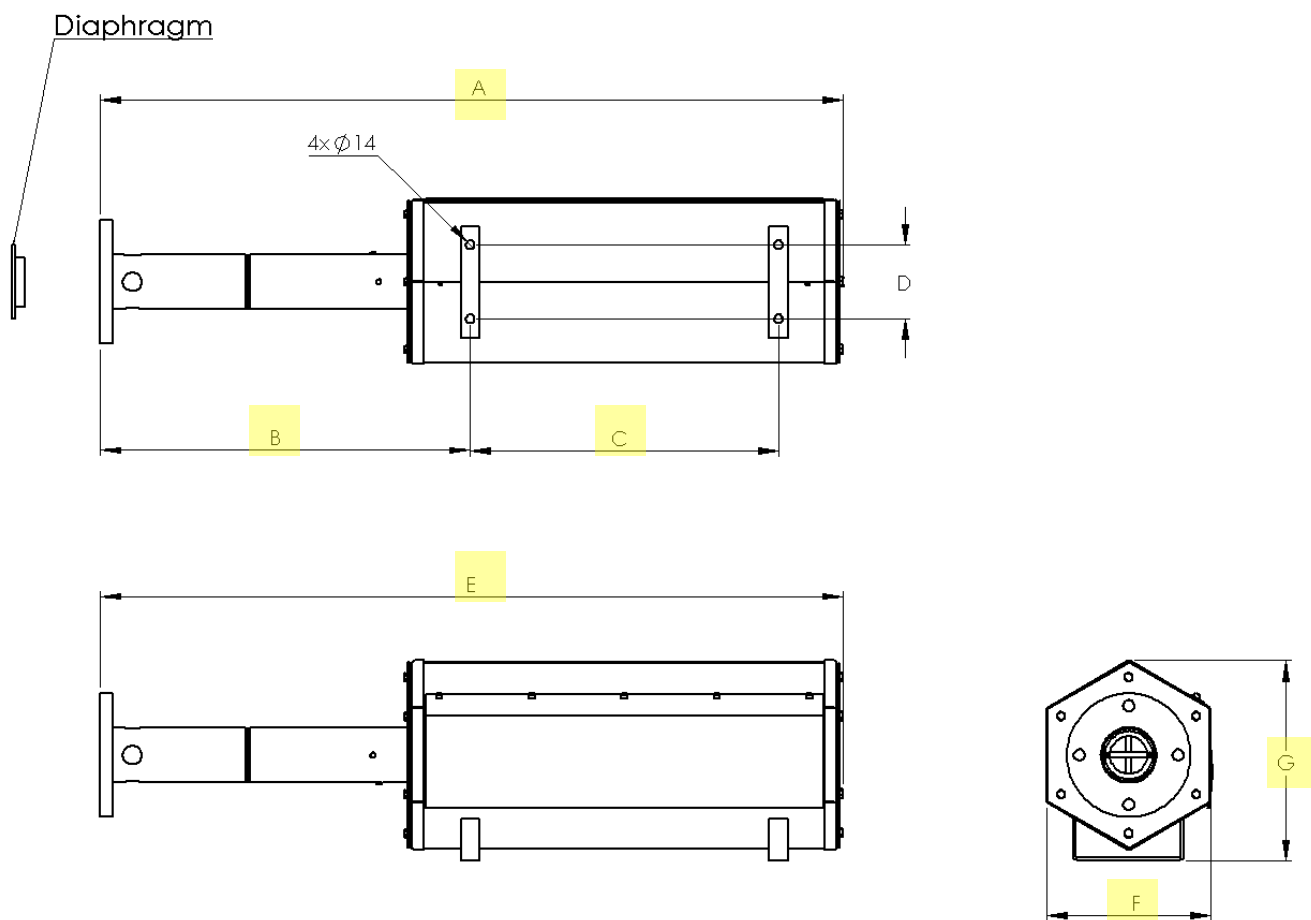


- Easy to install
- Reversible entry – right / left
- Expansion of 10 (according to foam concentrate)
- Operating pressure: from 3 to 10 bar



**LEADER**  
Tomorrow's technology today

## LEADER Foam Technical characteristics:



### Dimensions (mm):

Model	Flange (NF EN 1759)	References on the draw					
		A - E	B	C	D	F	G
DN65	DN65 PN16	1005	600	300	120	267	325
DN80	DN80 PN16	1205	600	500	120	267	325
DN100	DN100 PN16	1905	1000	800	120	276	337

### References:

Model	Flow in l/min	Weight	Diaphragm Ref.	Ref. Red painted steel Ref.	Inox 304L Ref.	Inox 316 Ref.
DN65	250 to 500	12 kg	I30.30.070	I30.30.060	I30.30.061	I30.30.062
DN80	550 to 1000	24 kg	I30.30.071	I30.30.063	I30.30.064	I30.30.065
DN100	1100 to 2500	34 kg	I30.30.072	I30.30.066	I30.30.067	I30.30.068



LEADER Foam – ZF05.142.EN.1

As part of our policy of constantly researching to improve our equipment, we reserve the right to change the characteristics of our apparatus at any time without prior notice.

