

# Dry Barrel Fire Hydrant RD-FM1510

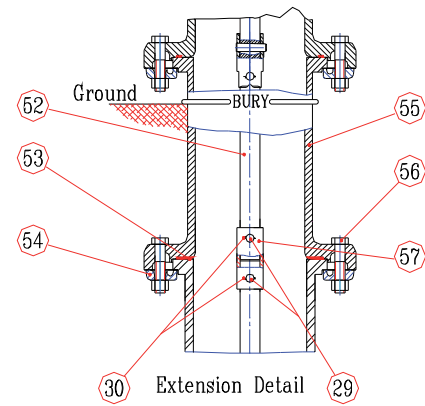
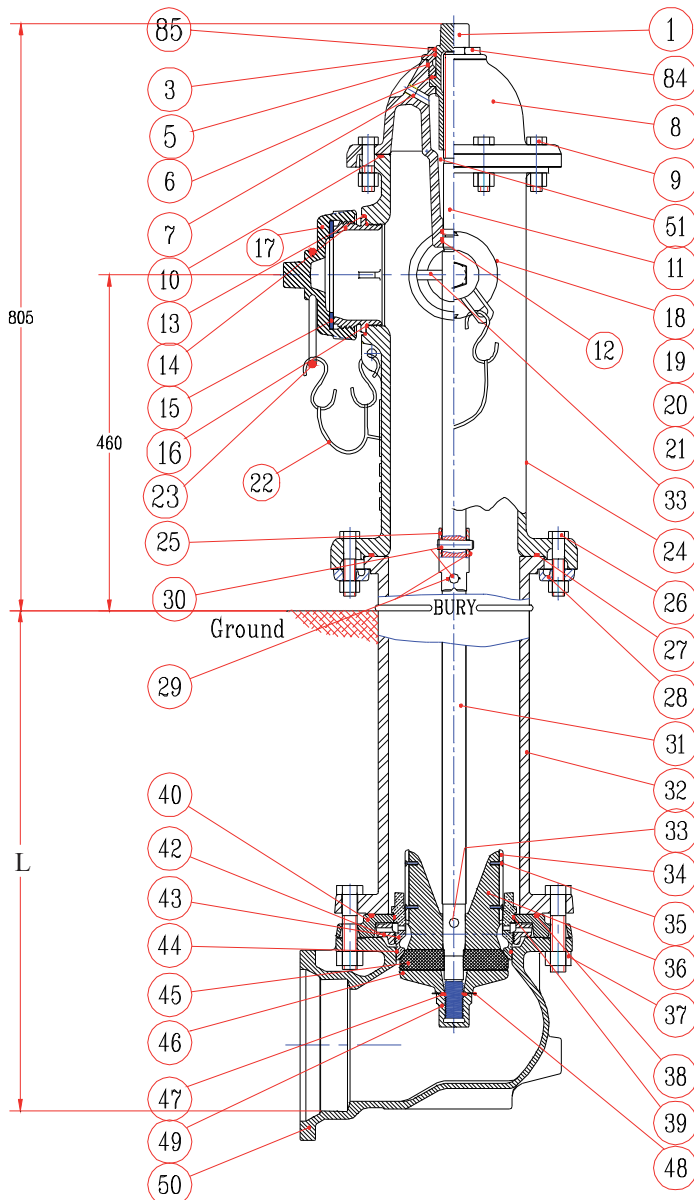
## FM Approved

### Features

- Valves comply with AWWA C502.
- Working pressure 250 PSI.
- Working temperature 0.6 °C to 52 °C.

### Construction

- Available flanged inlet, ANSI or PN16.
- Seating type is resilient material to bronze seat construction.
- One pump nozzle, 4.5-4NH thread. Two hose nozzle, 2.5-7.5NH thread. Other size thread is available.
- 6" mechanical joint designed to ANSI/AWWA C153/A21.53.



| Size | L       |
|------|---------|
| 36"  | 915 mm  |
| 42"  | 1067 mm |
| 48"  | 1220 mm |
| 54"  | 1372 mm |
| 60"  | 1524 mm |
| 66"  | 1676 mm |
| 72"  | 1829 mm |

Continued Overleaf  
Page 1 of 3

## Dry Barrel Fire Hydrant RD-FM1510

FM Approved

### Part Number & Descriptions

| Item No. | Name of Part                  | Material     | Specification     |
|----------|-------------------------------|--------------|-------------------|
| 1        | Operating Nut                 | Bronze       | ASTM B62 C83600   |
| 3        | Hold Down Nut O-Ring          | Rubber       | ASTM D2000 BUNA N |
| 5        | Bonnet O-Ring                 | Rubber       | ASTM D2000 BUNA N |
| 6        | Anti-Friction Washer          | Celcon       |                   |
| 7        | Oil Plug                      | Brass        | ASTM B16          |
| 8        | Bonnet                        | Cast Iron    | ASTM A126 CL-B    |
| 9        | Bonnet bolts & nuts           | Steel        | ZPS,A307          |
| 10       | Bonnet O-Ring                 | Rubber       | ASTM D2000 BUNA N |
| 11       | Upper Rod                     | Steel        | ASTM A576 Gr-B    |
| 12       | Upper Rod O-Ring              | Rubber       | ASTM D2000 BUNA N |
| 13       | Nozzle lock key               | Stn.Stl.     | ASTM A276         |
| 14       | Pumper nozzle                 | Bronze       | ASTM B62 C83600   |
| 15       | Pumper nozzle gasket          | Rubber       | ASTM D2000 BUNA N |
| 16       | Pumper nozzle O-Ring          | Rubber       | ASTM D2000 BUNA N |
| 17       | Pumper nozzle cap             | Cast Iron    | ASTM A126 CL-B    |
| 18       | Hose nozzle                   | Bronze       | ASTM B62 C83600   |
| 19       | Hose nozzle gasket            | Rubber       | ASTM D2000 BUNA N |
| 20       | Hose nozzle O-Ring            | Rubber       | ASTM D2000 BUNA N |
| 21       | Hose nozzle cap               | Cast Iron    | ASTM A126 CL-B    |
| 22       | Cap Chain                     | Steel        | Plated            |
| 23       | Chain Ring                    | Steel        | Plated            |
| 24       | Standpipe Upper               | Cast Iron    | ASTM A126 CL-B    |
| 25       | Safety Coupling               | Stn.Stl.     | ASTM A890         |
| 26       | Safty Flange Bolts & Nuts     | Steel        | ZPS,A307          |
| 27       | Safty Flange O-Ring           | Rubber       | ASTM D2000 BUNA N |
| 28       | Safety Flange                 | Cast Iron    | ASTM A126 CL-B    |
| 29       | Cotter Pin                    | Stn.Stl.     | ASTM A276         |
| 30       | Clevis Pin                    | Stn.Stl.     | ASTM A276         |
| 31       | Lower Rod                     | Steel        | ASTM A576 Gr.B    |
| 32       | Standpipe Lower(Specify Bury) | Cast Iron    | ASTM A126 CL-B    |
| 33       | Stem Pin                      | Stn.Stl.     | ASTM A276         |
| 34       | Drain Valve Facing            | Plastic      |                   |
| 35       | Drain Valve Screw             | Stn.Stl.     | ASTM A276         |
| 36       | Valve Top Plate               | Bronze       | ASTM B62 C83600   |
| 37       | Elbow & D.R.H.Bolts & Nuts    | Steel        | ZPS, A307         |
| 38       | Drain Ring Housing O-Ring     | Rubber       | ASTM D2000 BUNA N |
| 39       | Seat Ring O-Ring              | Rubber       | ASTM D2000 BUNA N |
| 40       | Drain Ring Housing            | Ductile Iron | ASTM A536         |
| 42       | Drain Ring                    | Bronze       | ASTM B62 C83600   |
| 43       | Seat Ring                     | Bronze       | ASTM B62 C83600   |

## Dry Barrel Fire Hydrant RD-FM1510

**FM Approved**

|    |                          |              |                   |
|----|--------------------------|--------------|-------------------|
| 44 | Seat Ring O-Ring(Bottom) | Rubber       | ASTM D2000 BUNA N |
| 45 | Main Valve               | Rubber       | ASTM D2000 BUNA N |
| 46 | Valve Bottom Plate       | Ductile Iron | ASTM A536         |
| 47 | Cap Nut Seal             | Rubber       | ASTM D2000 BUNA N |
| 48 | Lock Washer              | Stn.Stl.     | ASTM A276 CL.B    |
| 49 | Valve Bottom Plate Nut   | Ductile Iron | ASTM A536         |
| 50 | Elbow                    | Ductile Iron | ASTM A536         |
| 51 | Lubricant (in Chamber)   |              |                   |
| 84 | Hold Down Nut            | Bronze       | ASTM B62 C83600   |
| 85 | Weather Seal             | Rubber       | ASTM D2000 BUNA N |

### Extension Kit

| Item No. | Extension Kit Parts            | Material     | Specification  |
|----------|--------------------------------|--------------|----------------|
| 29       | Cotter Pin                     | Stn.Stl.     | ASTM A276      |
| 30       | Clevis Pin                     | Stn.Stl.     | ASTM A276      |
| 52       | Extension Rod (Specify Length) | Steel        | ASTM A576      |
| 53       | Extension Gasket               | Rubber       | BUNA N 70 Duro |
| 54       | Extension Flange Coupling      | Ductile Iron | ASTM A536      |
| 55       | Standpipe Extension            | Cast Iron    | ASTM A126 CL.B |
| 56       | Extension Bolts & Nuts         | Steel        | ZPS,A307       |
| 57       | Extension Rod Coupling         | Stn.Stl.     | ASTM A890      |