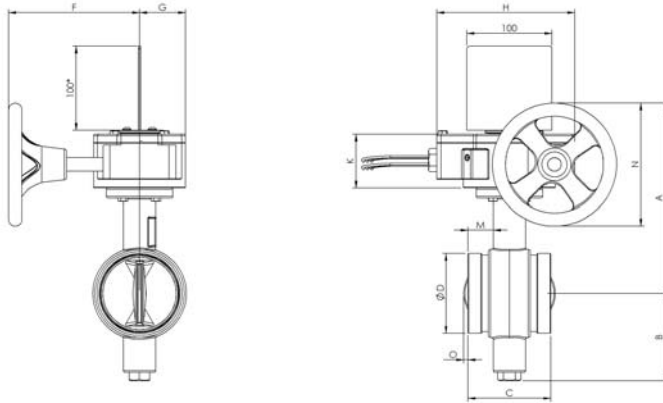


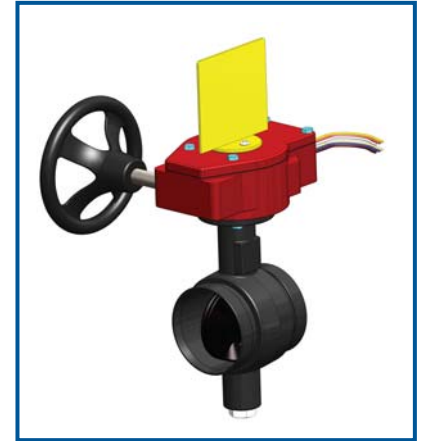
# Grooved End Butterfly Valve

## Model 204

PN20/300PSI



\* 100mm (flag height) supplied as standard. 35mm available on request



### Working Pressure and Temperature

Working pressure PN20/300PSI.

Temperature from -10°C to 100°C for EPDM coated disc.

**Top Flange:** Complies with ISO5211/1.

**End-To-End** Dimensions according to MSS SP-67-2002

### Grooved Type

Grooved dimensions comply with Metric or ANSI Pipe Standards

### Operator

Gear operator. With two internal CE approved switches.

### Dimensions

| Size<br>mm | A<br>mm | B<br>mm | C<br>mm | ØD<br>mm    | F<br>mm | G<br>mm | H<br>mm | K<br>mm | M<br>mm | N<br>mm | O<br>mm | Weight<br>Kgs |
|------------|---------|---------|---------|-------------|---------|---------|---------|---------|---------|---------|---------|---------------|
| 50         | 258.8   | 70.0    | 82.4    | 60.3        | 158     | 54.0    | 165.0   | 65.0    | 26.2    | 150     | -       | 7.6           |
| 65         | 264.8   | 75.0    | 96.8    | 73.0/76.1   | 158     | 54.0    | 165.0   | 65.0    | 32.4    | 150     | -       | 7.7           |
| 80         | 271.3   | 82.0    | 96.8    | 88.9        | 158     | 54.0    | 165.0   | 65.0    | 32.4    | 150     | -       | 8.1           |
| 100        | 293.8   | 100.0   | 115.85  | 114.3       | 158     | 54.0    | 165.0   | 65.0    | 39.0    | 150     | -       | 10.3          |
| 125        | 307.5   | 119.0   | 147.6   | 139.7/141.3 | 158     | 54.0    | 165.0   | 65.0    | 51.8    | 150     | -       | 12.6          |
| 150        | 334.8   | 130.0   | 147.6   | 165.1/168.3 | 158     | 54.0    | 165.0   | 65.0    | 50.3    | 150     | 1.35    | 15.4          |
| 200        | 362.8   | 162.0   | 133.4   | 219.1       | 158     | 54.0    | 165.0   | 65.0    | 40.2    | 200     | 33.6    | 19.4          |
| 250        | 407.5   | 200.0   | 158.8   | 273.0       | 230     | 75.0    | 172.0   | 75.0    | 49.4    | 285     | 46.2    | 31.8          |
| 300        | 446.7   | 224.0   | 163.6   | 323.9       | 238     | 62.0    | 193.0   | 77.0    | 49.8    | 285     | 68.7    | 42.0          |

### Material Specification

| Part Name | Material        | EN Spec.     | ASTM Spec.    |
|-----------|-----------------|--------------|---------------|
| Body      | Ductile Iron    | EN-JS1050    | A536 65-45-12 |
| Shaft     | Stainless Steel | BS970 420S37 | AISI 416      |
| Disc      | DI EPDM Coated  | EN-JS1050    | A536 65-45-12 |
| Bushing   | PTFE            | Commercial   | Commercial    |
| O-Ring    | EPDM            | Commercial   | Commercial    |

### Rapidrop Global

Rutland Business Park, Newark Road, Peterborough, PE1 5WA, United Kingdom

Tel: +44 (0) 1733 847 510 Fax: +44 (0) 1733 553 958

e-mail: [rapidrop@rapidrop.com](mailto:rapidrop@rapidrop.com) web: [www.rapidrop.com](http://www.rapidrop.com)