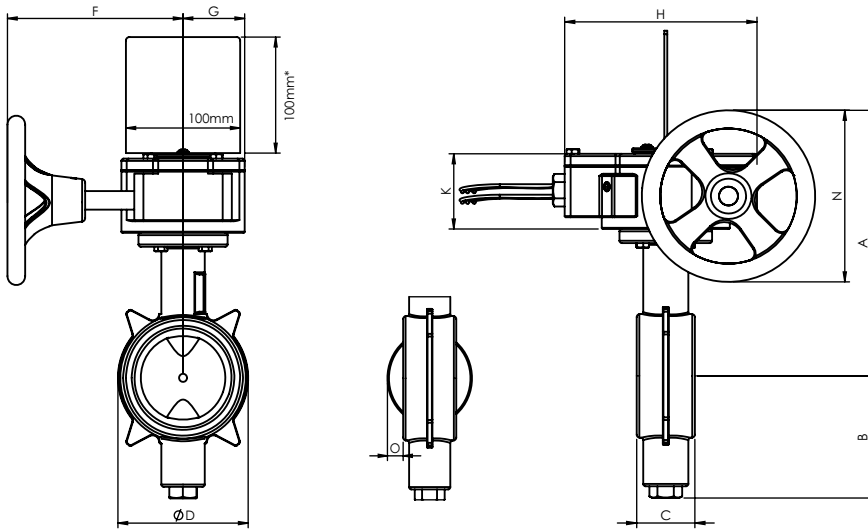
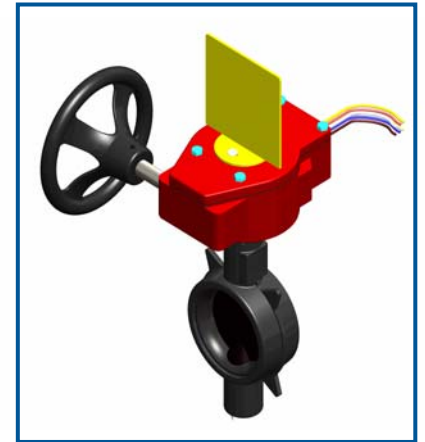


Wafer Butterfly Valve Model 203

PN20/300PSI



* 100mm (flag height) supplied as standard. 35mm available on request



Valve Standards: Complies with EN593/BS5155/MSS SP-67.

Working Pressure and Temperature

Working pressure PN20/300PSI.

Temperature from -10°C to 100°C for EPDM Seat.

Top Flange: Complies with ISO5211/1.

End-To-End: Dimensions according to MSS SP-67-2002.

Flange Type: BSEN 1092-2 PN16, ANSI B16.1 Class 125.

Operator

Gear operator. With two internal CE approved switches.

Dimensions

| Size mm | A mm | B mm | C mm | ØD mm | F mm | G mm | H mm | K mm | N mm | O mm | Weight Kgs |
|------------|---------|---------|---------|----------|---------|---------|---------|---------|---------|---------|---------------|
| 50 | 278.0 | 80.0 | 43.0 | 103.0 | 158 | 54.0 | 165.0 | 65.0 | 150 | 3.4 | 7.8 |
| 65 | 292.0 | 89.0 | 46.0 | 120.0 | 158 | 54.0 | 165.0 | 65.0 | 150 | 7.8 | 8.6 |
| 80 | 298.0 | 95.0 | 46.0 | 128.0 | 158 | 54.0 | 165.0 | 65.0 | 150 | 15.0 | 8.9 |
| 100 | 317.0 | 114.0 | 52.0 | 165.0 | 158 | 54.0 | 165.0 | 65.0 | 150 | 24.5 | 10.2 |
| 125 | 330.0 | 127.0 | 56.0 | 191.0 | 158 | 54.0 | 165.0 | 65.0 | 150 | 32.4 | 12.3 |
| 150 | 343.0 | 145.0 | 56.0 | 216.0 | 158 | 54.0 | 165.0 | 65.0 | 150 | 48.4 | 13.3 |
| 200 | 377.0 | 175.0 | 60.0 | 268.0 | 158 | 54.0 | 165.0 | 65.0 | 200 | 69.4 | 17.7 |
| 250 | 472.0 | 223.0 | 68.0 | 325.0 | 230 | 75.0 | 172.0 | 75.0 | 285 | 89.5 | 29.8 |
| 300 | 518.0 | 245.0 | 78.0 | 399.0 | 238 | 78.5 | 193.0 | 77.0 | 285 | 110.4 | 40.8 |

Material Specification

| Part Name | Material | EN Spec. | ASTM Spec. |
|-----------|-----------------|--------------|--------------------|
| Body | Ductile Iron | EN-JS1050 | A536 65-45-12 |
| Shaft | Stainless Steel | BS970 420S37 | AISI 416 |
| Disc | DI + NI | EN-JS1050 | ASTM A536 65-45-12 |
| Seat | EPDM Insert | EN-JS1050 | A536 65-45-12 |
| Bushing | PTFE | Commercial | Commercial |
| O-Ring | EPDM | Commercial | Commercial |

Rapidrop Global

Rutland Business Park, Newark Road, Peterborough, PE1 5WA, United Kingdom

Tel: +44 (0) 1733 847 510 Fax: +44 (0) 1733 553 958

e-mail: rapidrop@rapidrop.com web: www.rapidrop.com