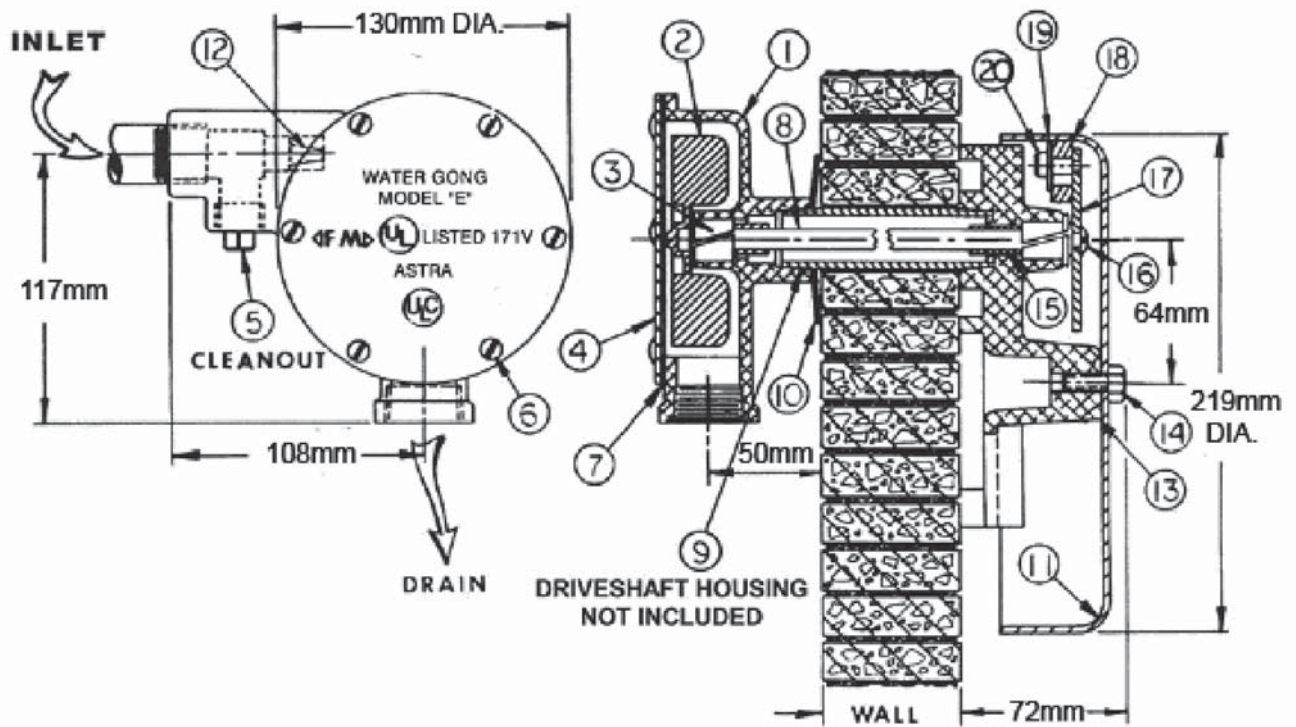


## Model E Water Motor Alarm Gong

LPCB / FM Approved / UL Listed / CE Marked



### Parts List

Item	Description
1	Pelton wheel housing
2	Pelton wheel
3	Bearing
4	Cover, pelton wheel housing
5	Clean out plug
6	Cover screw
7	Cover gasket
8	Drive shaft (Length 455mm)
9	Drive shaft housing
10	Spacer

Item	Description
11	Gong
12	Brass bushing
13	Bracket
14	Bolt
15	Striker shaft
16	Striker bracket screw
17	Striker bracket
18	Striker
19	Striker washer
20	Shoulder rivet

### Description

The Model E Water Motor Alarm Gong is a self contained, water operated alarm which sounds continuously whenever the sprinkler system is activated. Designed with functional simplicity and sound engineering practice, the Model E Water Motor Alarm Gong is always ready to function in the event of a fire.

Continued Overleaf  
Page 1 of 2

## Model E Water Motor Alarm Gong

LPCB / FM Approved / UL Listed / CE Marked

### Installation

- a) Cut a hole in the wall to accommodate the 20mm pipe.
- b) Cut drive shaft housing (item 9) to wall thickness plus 40mm.
- c) Attach drive shaft housing to bracket (item 13) without removing bolt (item 14), and position this assembly on the outside wall with the drive shaft housing through the wall.
- d) Remove the six cover screws (item 6), cover (item 4), cover gasket (item 7), and pelton wheel (item 2) from the pelton wheel housing (item 1).
- e) Insert drive shaft (item 8) through the drive shaft housing into engagement with the striker shaft (item 15).
- f) Cut drive shaft even with the top flange of bearing (item 3) in the pelton wheel housing.
- g) Insert pelton wheel and rotate by hand to assure proper alignment.
- h) Attach cover and cover gasket to pelton wheel housing with the six cover screws.

### Operation

When, in the case of a fire emergency, the sprinkler system is activated, flowing water enters the Water Motor Alarm Gong inlet and strikes the pelton wheel. Rotating in a turbine fashion, the pelton wheel transmits its torque to the striker assembly which sounds the alarm. The water, after it impinges on the pelton wheel, flows through the drain outlet in the pelton wheel housing.

### Maintenance

- a) The 20mm strainer, located in the alarm line from the alarm valve, should be periodically cleaned to ensure sufficient flow to the Water Motor Alarm Gong.
- b) The clean out plug (item 5) should be periodically removed to avoid any accumulation of debris and scale that may have passed through the strainer.
- c) The inside of the gong (item 11) should be checked periodically for the accumulation of foreign material.