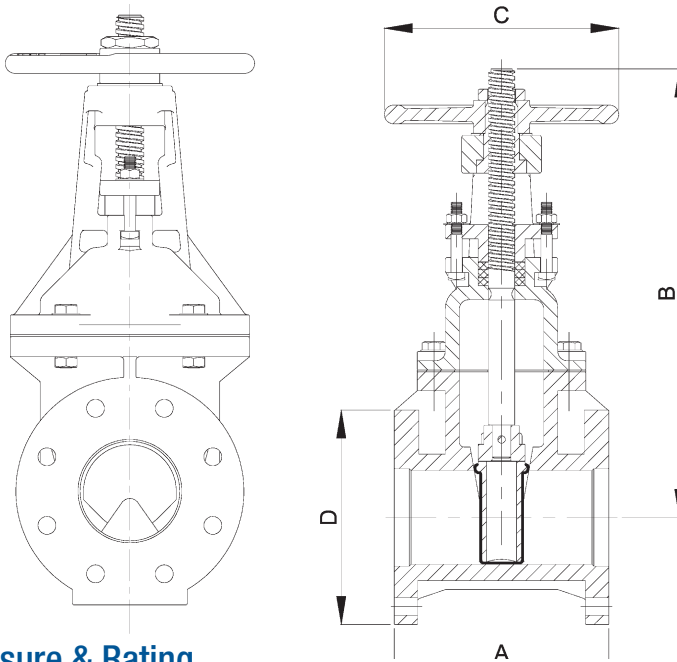


OSF200 OS&Y Resilient Wedge Gate Valve

UL Listed / FM Approved



Pressure & Rating

Max Working Pressure:

13.8 Bar

Dimensions

Size	65 mm	80 mm	100 mm	150 mm	200 mm	250 mm	300 mm
A	190.5	203.0	229.0	267.0	292.0	330.0	356.0
B (Open)	422.0	482.5	568.0	765.0	945.0	1175.0	1416.0
B (Closed)	359.0	406.5	467.0	613.0	743.0	921.0	1111.0
C	184.0	254.0	254.0	305.0	355.5	444.5	444.5
D	178.0	190.5	228.6	279.4	343.0	406.4	483.0
Weight Kg	25.5	31.5	47.0	78.5	110.0	195.0	310.0

Material Specification

Item	Material
Body	Cast Iron, ASTM A126 Class. B
Wedge Disc	Cast Iron, ASTM A126B + EPDM Coated
Stem Nut	Bronze, ASTM B62 C83600
O Ring	EPDM
Stem	Stainless Steel, AISI 420
O Ring (Cover)	EPDM
Bonnet	Cast Iron, ASTM A126 CL.B
Packing	Sq. Braided Non-Asbestos
Packing Gland	Cast Iron, ASTM A126 CL. B
Yoke Nut	Bronze, ASTM B62 C83600
Washer	PTFE
Handwheel	Ductile Iron, ASTM A536 Gr. 65-45-12
Lock Nut	Bronze, ASTM B62 C836000

Notes

1. Design and dimensions conform to AWWA C509
2. Flat Faced Flange drilled PN 16. Other flange types available on special order
3. Fusion bonded epoxy coated inside and out.
- 4 Optional ASTM B16 Brass Stem available to order

Rapidrop Global

Rutland Business Park, Newark Road, Peterborough, PE1 5WA, United Kingdom
 Tel: +44 (0) 1733 847 510 Fax: +44 (0) 1733 553 958
 e-mail: rapidrop@rapidrop.com web: www.rapidrop.com