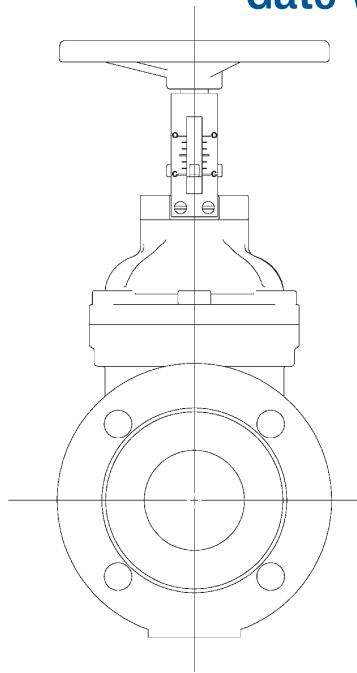
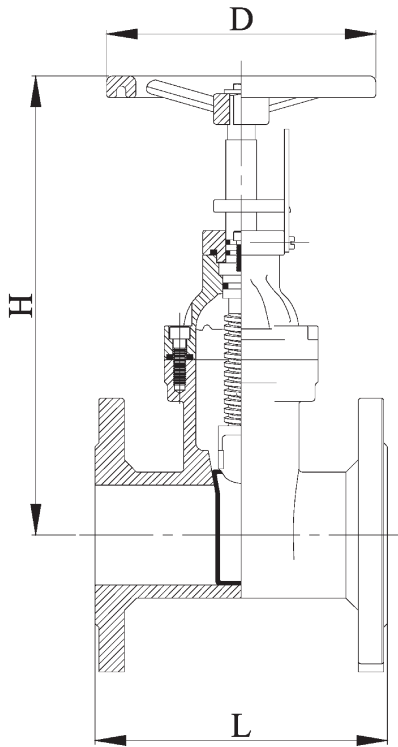


## 201F Non Rising Stem Resilient Wedge

### Gate Valve (BS 5163, BS EN 1074)



#### Description

BS 5163 Type A, BS EN 1074

Open / Shut position Indicator

Face to face dimension in accordance with BS5163

Flange drilling in accordance with BS EN 1092 PN16 raised face

Optional anti tamper switch

Optional 1/2" BSP Plugged tapping

#### Pressure & Rating

Max Working Pressure: 16 Bar

Shell Test Pressure: 24 Bar

#### Dimensions

DN	50 mm	65 mm	80 mm	100 mm	125 mm	150 mm	200 mm	250 mm	300 mm
L (mm)	173	190	203	229	254	267	292	330	356
H (mm)	220	247	295	343	395	440	545	648	730
D (mm)	180	180	200	200	240	240	320	320	400
Weight Kg	16	18	21	28	36	50	75	122	140

#### Material Specification

Item	Material
Body	Cast Iron, EN1531 EN-GJL-250
Stem	Stainless Steel BS970 416 S21
Wedge	Cast Iron, EPDM coated
Bonnet	Cast Iron DN1691 GG25
Handwheel	Ductile Iron GG40

#### Rapidrop Global