



Detector shown with CSBU-1 base

Photoelectric System Smoke Detector

Conventional Initiating Device

SC30U-3*

FEATURES

- > LED alarm indication
- > Sensitivity test feature with use of EC-PST test tool
- > Tamper resistant with site selectable lock
- > White molded high impact fire retardant plastic
- > Advanced dual chamber
- > Single source design

AGENCY APPROVALS

- > UL Listed
- > ULC Listed

Designed to provide an early response to a wide range of slow burning, smoldering fires, the SC30U-3 photoelectric smoke detector, provides reliable sensing for conventional fire alarm applications. The detectors aesthetic design and proven stability in air movements associated with air conditioning, have made it an ideal selection for modern building interiors.

The detector operates on the light scatter principle, making it ideal for any application where fires producing large particle smoke can be expected.

A high intensity, red LED indicator situated on the detector molding provides clear indication when the unit is in alarm.

For ease of removal, SC30U-3 detectors plug into their base units by a simple twist and lock action. In order to prevent unauthorized removal, a site selectable option is provided to lock the detector into its base. Once applied, the unit can only be removed by means of a special tool (Cat. No. EC-PST).

All SC30U-3 detectors are monitored for detector removal.

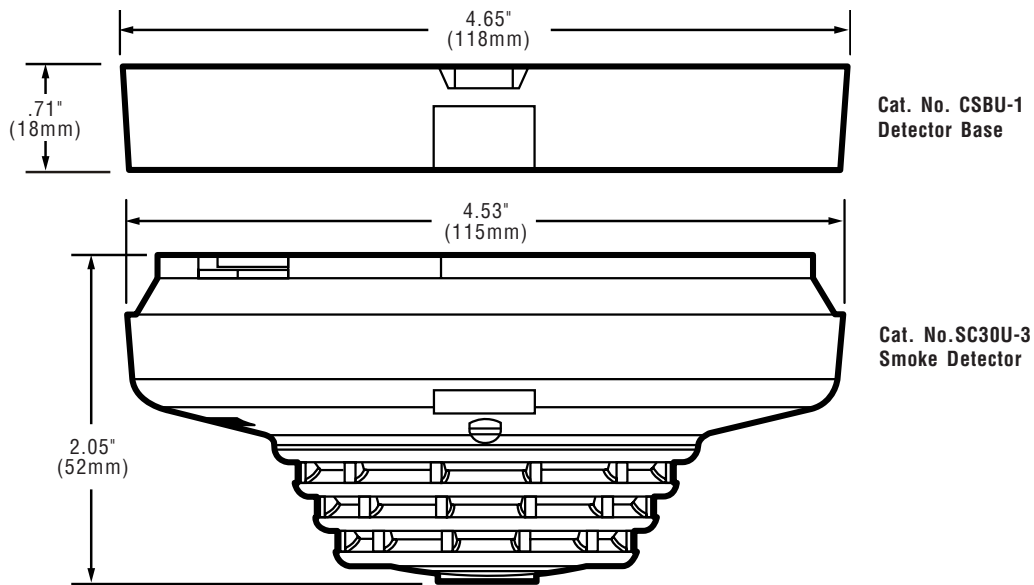
To ensure operational reliability, all detectors have moldings constructed of fire retardant plastic, feature surface mount technology with all components conformally coated, to seal against dust and moisture.

*Add "B" for unit with base. e.g. SC30U-3B

D-04



TECHNICAL INFORMATION



PRODUCT SPECIFICATIONS

Voltage	14V - 30V DC
Standby Current	62 μ A
Alarm Current	Max 100 mA
Sensitivity Range	1.38 to 3.08% obs/ft
Operating Temperature	32°F to 100°F (0°C to 37.8°C)
Operating Humidity	20% to 95% relative humidity (non-condensing)
Storage Temperature	-4°F to 140°F (-20°C to +60°C)
Maximum Spacing	30 ft (9.1 m) on center
Color and Construction	White molded high impact fire retardant plastic
Weight	2.9 oz (82g) without base
Compatible Mounting Boxes	North American 1-gang box, Deep octagonal box 3 1/2" (89mm) x 1 1/2" (38mm), Deep octagonal box 4" (102mm) x 1 1/2" (38mm), BESA box and European 1-gang box (75mm) box w/ 60.3mm fixing centers
Terminal Sizes	12, 14, 16, 18 AWG (up to 2.5 sq mm)

ORDERING INFORMATION

Model	Description
SC30U-3B	Photoelectric smoke detector with CSBU-1 detector base
SC30U-3	Photoelectric smoke detector
CSBU-1	Detector base (surface mount)
EC-PST	Test picker tool for sensitivity reading & removal