

MCD

1.3 | **ALU30**
Top slide



ALU30 TOP SLIDE

DESCRIPTION

The ALU 30 top slide door is made to measure with double-walled installable slat of extruded aluminium 30mm height.

The doors can be used to close compartments or as a loading, access door in all types of vehicles as a replacement for conventional opening doors.

It is delivered in the form of separate parts ready to be installed.

- 1 assembled door
- 1 pair of aluminium vertical tracks ready to be fixed into position.
- 1 pair of horizontal tracks
- 1 tensed roller
- 1 bag of accessories

The standard finish is in RAL 7035 satin finish powder coated grey, but can also be delivered in RAL 9010, anodized, mill or in another choice of RAL.

Different kinds of closing systems and options compatible with ALU30 top slide are available in the following chapters 3 and 4 of this documentation.



Usage dimensions	
Maximum height	2000 mm
Maximum width	2000 mm
Minimum width	550 mm
Maximum area	2 m ²
Door weight for 1 m ²	12 kg

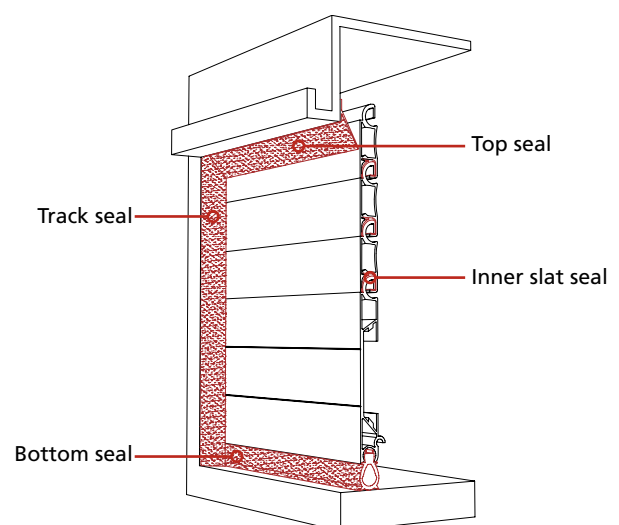
Two kinds of track available

Standard track

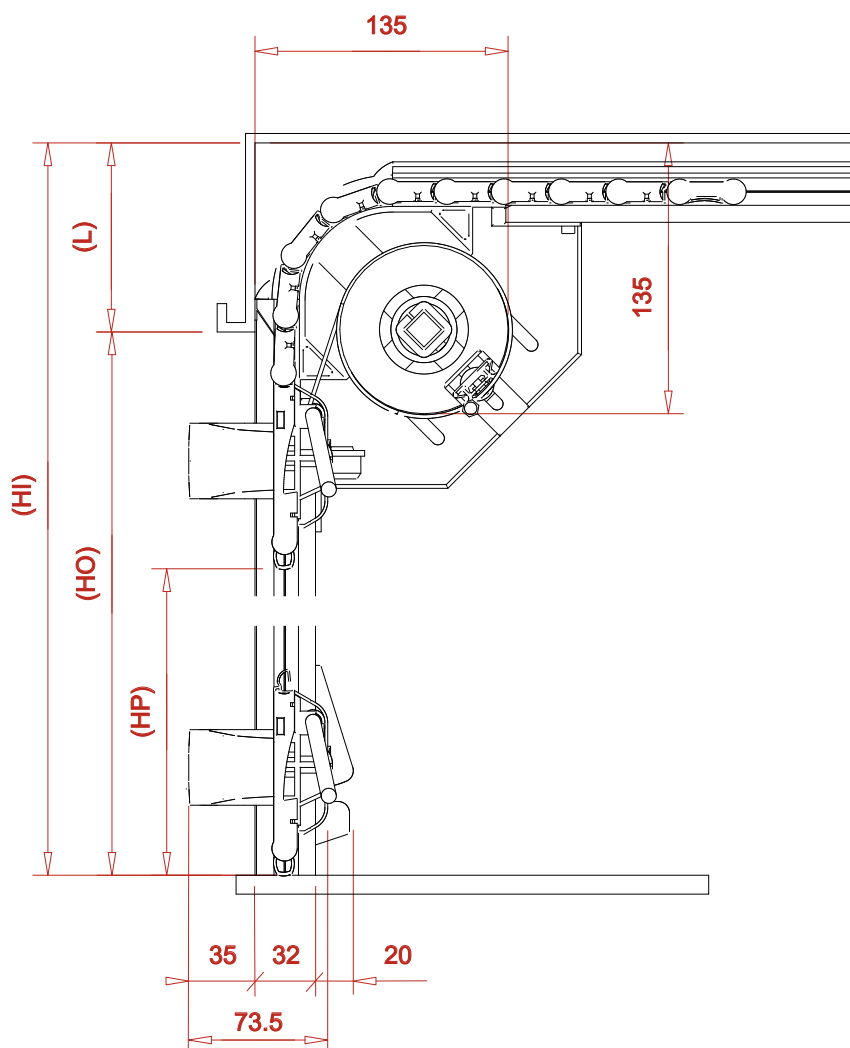
Overlapping track(*)

* Warning : the header's thickness do not exceed 9 mm to use the overlapping track.

Waterproof with 4 seals
(Detail page 4.7.1)



SETTING UP



	Description
HI	Interior Height
HO	Opening Height
HP	Passing Height
L	Header
P	Depth
LP	Passing Width
LER	Total Width

Formulae to remember:

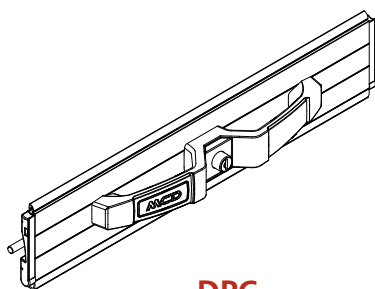
$$HI = HO + L$$

$$HP = HO - 100 \text{ mm}$$

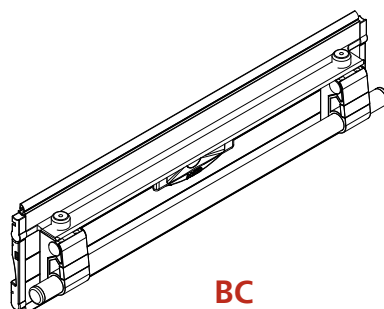
$$L = 75 \text{ mm}$$

$$LP = LER - 50 \text{ mm}$$

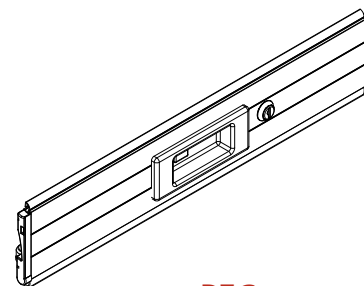
Compatible closing systems with ALU30 top slide



DPC
Double handle with key
(see page 3.1.1)

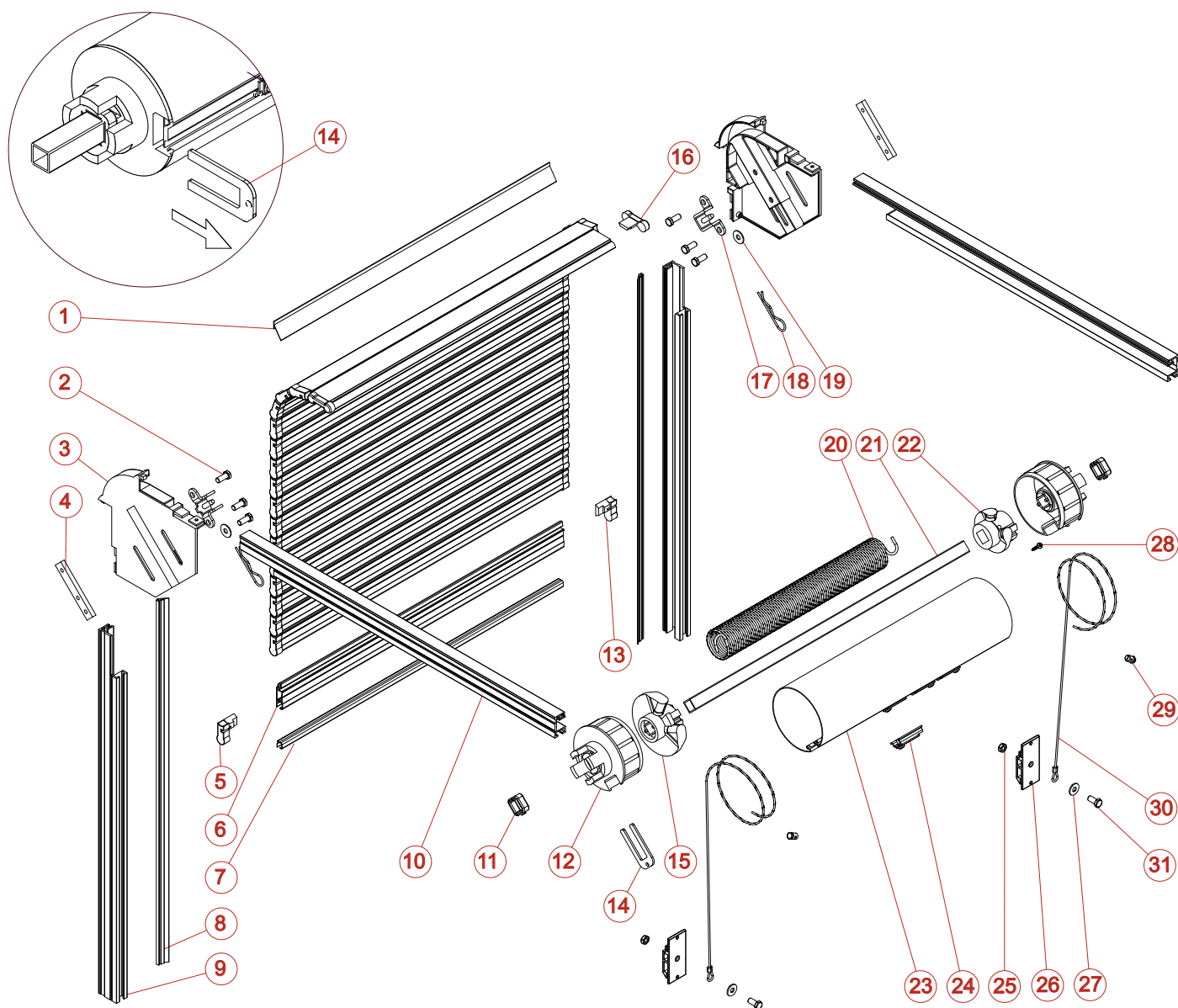


BC
Bar lift handle with key
(see page 3.2.1)



PEC
Built-in handle with key
(see page 3.3.1)

EXPLODED VIEW ALU30 TOP SLIDE



REP	CODE	DESCRIPTION
1	2030	TOP SEAL (M)
2	3303	STAINLESS SCREW TH 6 X 16
3	4302	90° MOUNTING PLATE BRACKET
4	3129	ROLLER SUPPORT FIXATION
5	4002	SLAT LEFT CAP
6	1001	ABE SLAT 30 (M)
7	2004	INNER SLAT SEAL (M)
8	2023	TRACK SEAL (M)
9	1300	STANDARD TRACK (M)
10	1300	STANDARD TRACK (M)
11	3163	STIRRUP
12	4101	TERMINAL CAP FOR TUBE 89
13	4003	SLAT RIGHT CAP
14	3108	BLOCKING FORK
15	4103	MOBILE ROLLER SPRING ATTACHMENT FOR TUBE 89
16	4004	SLAT SPECIAL CAP
17	3139	ROLLER SUPPORT

REP	CODE	DESCRIPTION
18	3371	STAINLESS BETA PIN 2.5
19	3304	STAINLESS RING L 6
20		SPRING
21	3100	STEEL TUBE 16 X 16 X 1.5 (M)
22	4105	FIXED ROLLER SPRING ATTACHMENT FOR TUBE 89
23	3103	ROUND TUBE 89 (M)
24	3107	ROLLER CLIP DIAM 89
25	3503	ZINC-COATED LOCK NUT M 6
26	4250	CABLE CLIP
27	3304	STAINLESS RING L
28	3309	STAINLESS SCREW TCL POZIDRIV 3.9 X 19
29	3127	CABLE CLAMP
30	3124	CABLE 1M50
	3125	CABLE 2M50
	3126	CABLE 3M
31	3318	STAINLESS SCREW TH 6 X 10

Elements list and exploded view of closing systems are introduced in the chapter 3 of this documentation.