

**MCD**

**1.4 ALU30 IZY**



# ALU30 IZY

## DESCRIPTION

The ALU 30 IZY only available in the front roll version, is made to measure with double-walled installable slats of extruded aluminium 30mm height.

As distinct from the standard Alu 30 door, the IZY version is delivered pre-assembled like a block which can be connected to the tracks, to insert the whole shutter into the compartment. This system saves a considerable amount of mounting time (about 20 min of installation per shutter).

### WARNING

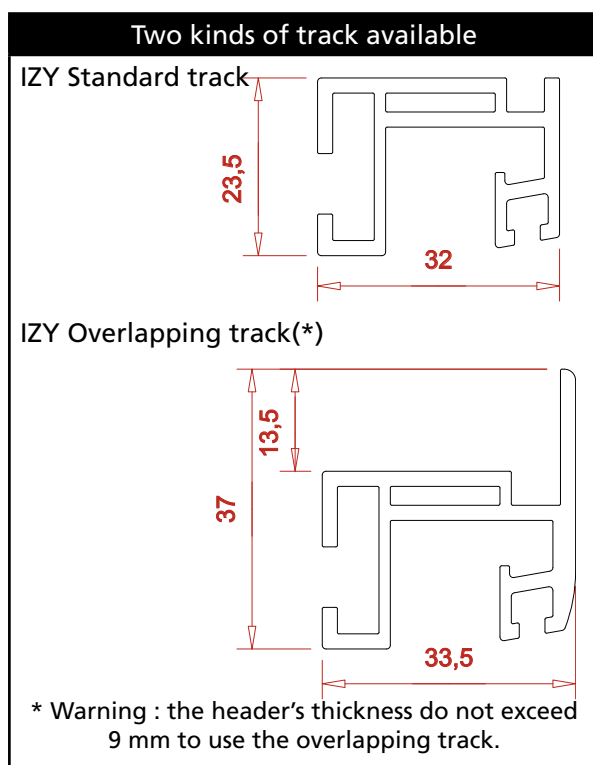
To do this, the compartment must have a specific construction and precise dimensions as there is low tolerance (-0 to +3 mm).

The standard finish is in RAL 7035 satin finish powder coated grey, but can also be delivered in RAL 9010, anodized, mill or in another choice of RAL.

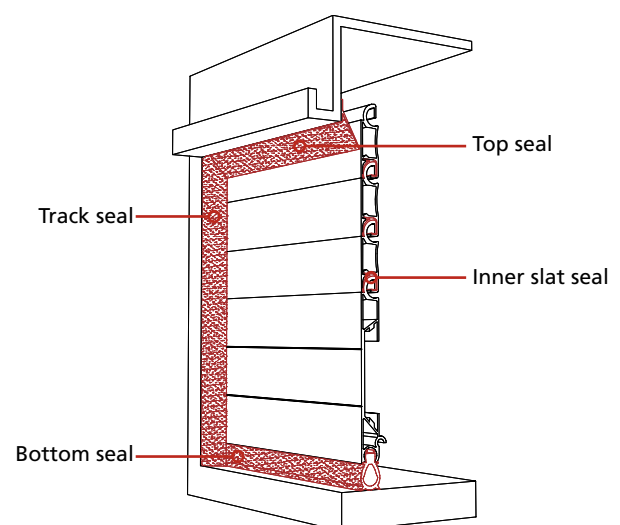
Different kinds of closing systems and options compatible with ALU30 IZY are available in the following chapters 3 and 4 of this documentation.



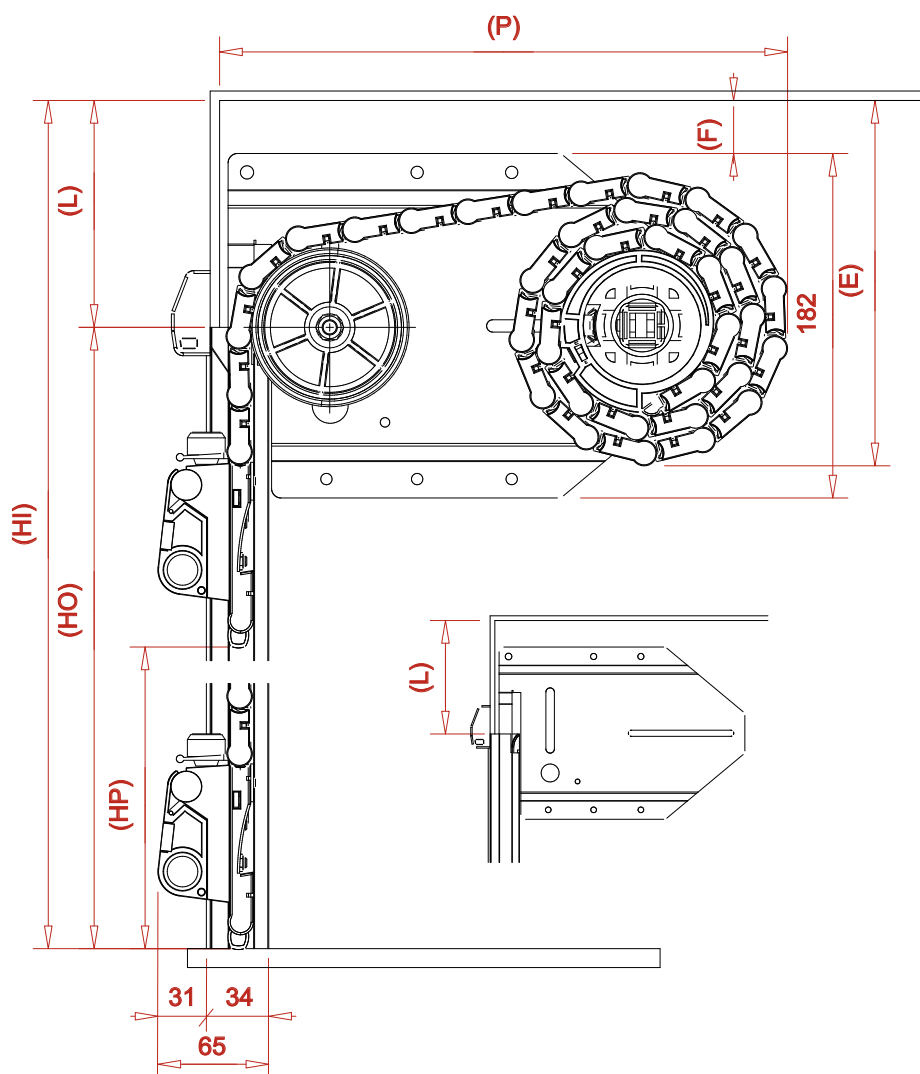
| Usage dimensions                 |                  |
|----------------------------------|------------------|
| Maximum height                   | 2200 mm          |
| Maximum width                    | 2500 mm          |
| Minimum width                    | 550 mm           |
| Maximum area                     | 4 m <sup>2</sup> |
| Door weight for 1 m <sup>2</sup> | 12 kg            |



### Waterproof with 4 seals (Detail page 4.7.1)



# SETTING UP



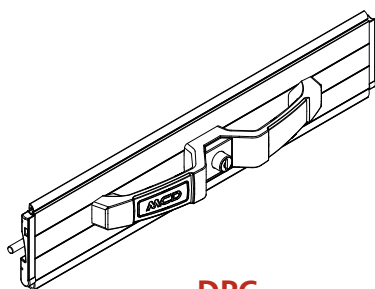
|     | Description     |
|-----|-----------------|
| HI  | Interior Height |
| HO  | Opening Height  |
| HP  | Passing Height  |
| L   | Header          |
| P   | Depth           |
| LP  | Passing Width   |
| LER | Total Width     |

### Formulae to remember:

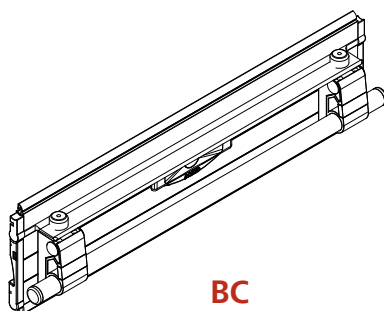
$HI = HO + L$   
 $HP = HO - 100 \text{ mm}$   
 $L \text{ minimum} = 75 \text{ mm}$   
 $LP = LER - 50 \text{ mm}$

| HI             | HO          | L      | P             | E             |
|----------------|-------------|--------|---------------|---------------|
| 500 to 2200 mm | HI - 100 mm | 100 mm | 280 to 320 mm | 170 to 220 mm |

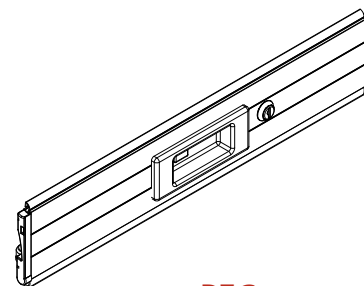
## Compatible closing systems with ALU30 IZY



**DPC**  
Double handle with key  
(see page 3.1.1)

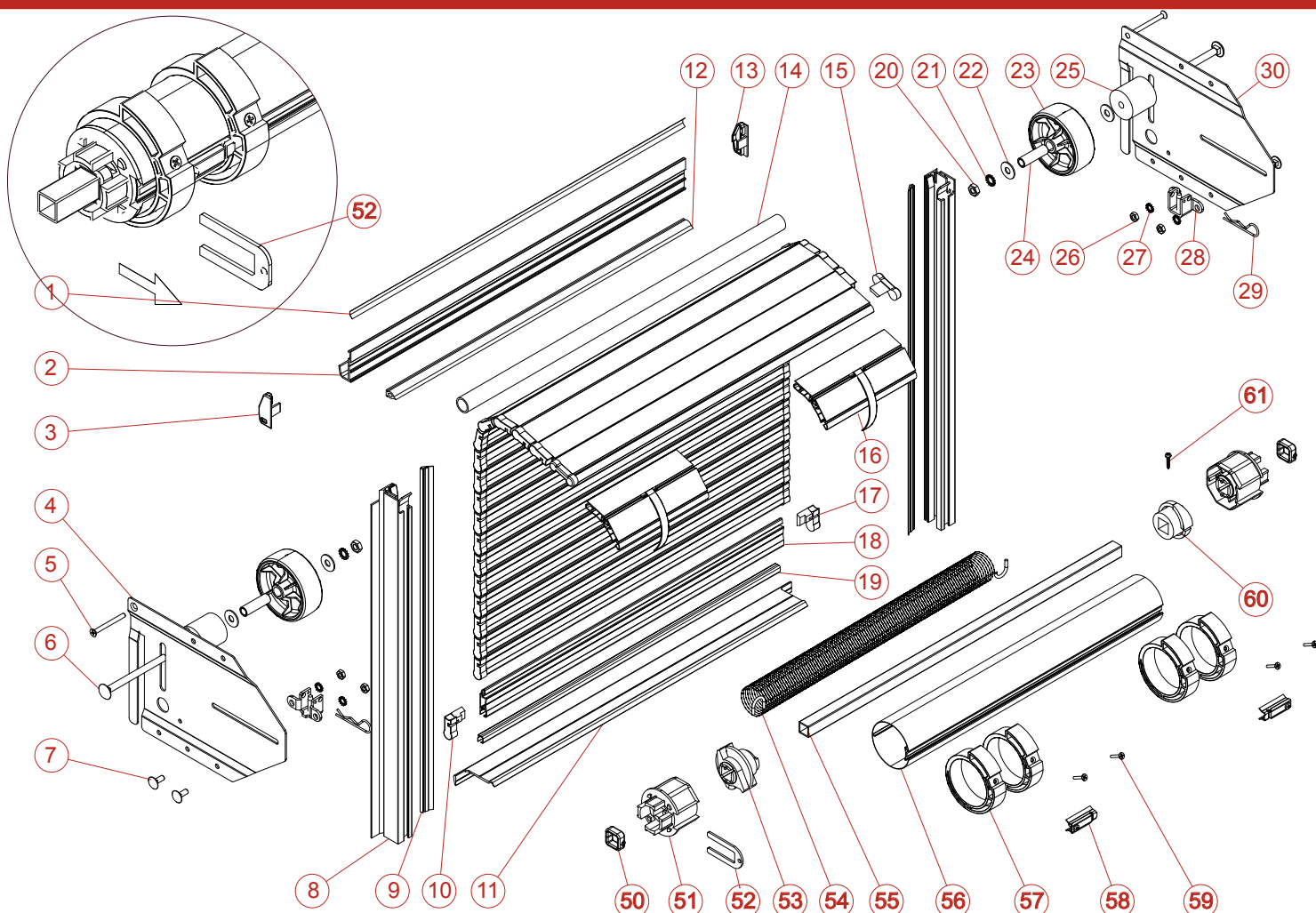


**BC**  
Bar lift handle with key  
(see page 3.2.1)



**PEC**  
Built-in handle with key  
(see page 3.3.1)

# EXPLODED VIEW ALU30 IZY



| REP | CODE | DESCRIPTION                    |
|-----|------|--------------------------------|
| 1   | 2043 | DRIP CHANNEL PVC SEAL          |
| 2   | 1600 | DRIP CHANNEL (M)               |
| 3   | 4013 | DRIP CHANNEL LEFT CAP          |
| 4   | 3130 | LEFT IZY 30 SIDE PANEL         |
| 5   | 3361 | SCREW TF POZIDRIV 5 X 50       |
| 6   | 3339 | STAINLESS SCREW TRCC M 8 X 100 |
| 7   | 3340 | STAINLESS SCREW TRCC M 6 X 16  |
| 8   | 1303 | IZY OVERLAPPING TRACK (M)      |
| 9   | 2023 | TRACK SEAL (M)                 |
| 10  | 4002 | SLAT LEFT CAP                  |
| 11  | 1501 | SILL PLATE                     |
| 12  | 2047 | TOP SEAL TA 17 (M)             |
| 13  | 4012 | DRIP CHANNEL RIGHT CAP         |
| 14  | 1400 | ROUND ALUMINIUM TUBE (M)       |
| 15  | 4004 | SLAT SPECIAL CAP               |
| 16  | 8114 | LOOPS GUIDE                    |
| 17  | 4003 | SLAT RIGHT CAP                 |
| 18  | 1001 | ABE SLAT 30 (M)                |
| 19  | 2004 | INNER SLAT SEAL (M)            |
| 20  | 3242 | STAINLESS NUT HU M 8           |
| 21  | 3243 | STAINLESS RING AZ 8            |

| REP | CODE | DESCRIPTION                                 |
|-----|------|---|
| 22  | 3301 | STAINLESS RING L 8                          |
| 23  | 4110 | WHEEL 80 DIA                                |
| 24  | 3109 | STEEL SPACER                                |
| 25  | 4107 | PLASTIC SPACER                              |
| 26  | 3353 | STAINLESS NUT HU M 6                        |
| 27  | 3331 | STAINLESS RING AZ 6                         |
| 28  | 3139 | ROLLER SUPPORT                              |
| 29  | 3371 | STAINLESS BETA PIN 2.5                      |
| 30  | 3131 | RIGHT IZY 30 SLIDE PANEL                    |
| 50  | 3163 | STIRRUP                                     |
| 51  | 4100 | TERMINAL CAP FOR TUBE 62                    |
| 52  | 3108 | BLOCKING FORK                               |
| 53  | 4102 | MOBILE ROLLER SPRING ATTACHMENT FOR TUBE 62 |
| 54  |      | SPRING                                      |
| 55  | 3100 | STEEL TUBE 16 X 16 X 1.5 (M)                |
| 56  | 3102 | ROUND TUBE 62 (M)                           |
| 57  | 4108 | ROLLER RING 62                              |
| 58  | 3106 | ROLLER CLIP DIAM 62                         |
| 59  | 3327 | SCREW TF POZIDRIV Z 4 X 18                  |
| 60  | 4104 | FIXED ROLLER SPRING ATTACHMENT FOR TUBE 62  |
| 61  | 3309 | STAINLESS SCREW TCL POZIDRIV 3.9 X 19       |

Elements list and exploded view of closing systems are introduced in the chapter 3 of this documentation.