

# QUIC-RELEASE® OXYGEN TANK SYSTEM MODEL QR-OTS-M\_\_\_\_ PARTS SHEET AND MOUNTING DATA

**ZICO\***

**3030PM5**

REV. 7-15-03

This unit is designed for use with the standard 42-1/8" L steel "M" cylinder. It will not work with "M" cylinders shorter or longer than 42-1/8"L and it will not work with "G" or "H" cylinders.

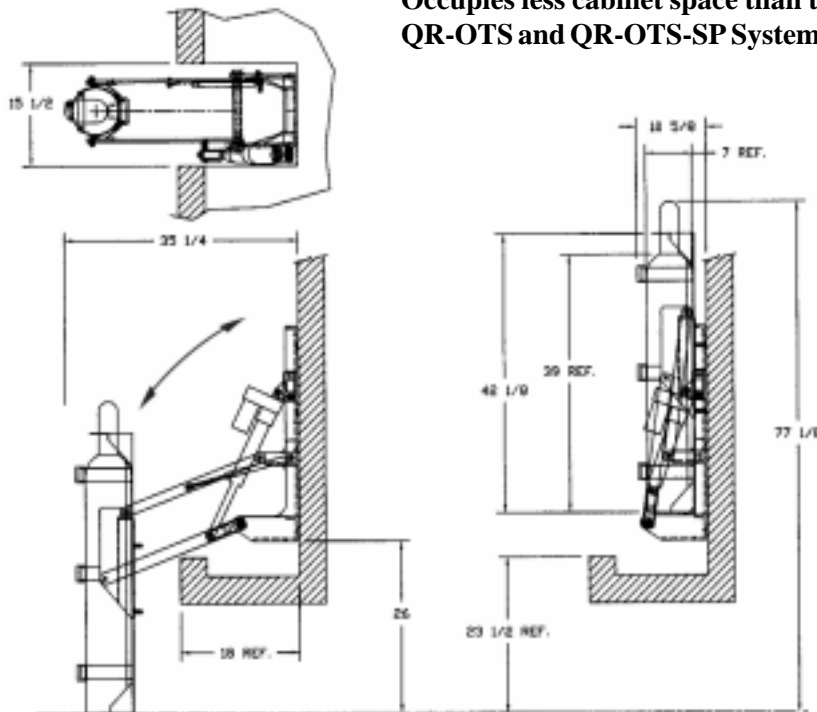
Lowers cylinder safely and quickly to floor level for easy removal.

Powered by a single electric actuator meeting UL-1500 Standard for Ignition Protection, the unit has a maximum lifting weight of 205 pounds and requires 12 VDC with 14 amp circuit. Safety latch holds the unit firmly in place.

Operating latch is on the opposite side of the motor.



Occupies less cabinet space than the QR-OTS and QR-OTS-SP Systems.



Designed specifically for "M" cylinders the new bracket requires a mounting area 15-1/2" W x 33-1/2" H x 10-5/8" D. Minimum door opening is 12".

See page 4 for optional hand held switch.

MODEL	DESCRIPTION	WT./@ IN LBS.
QR-OTS-MR	System for "M" cylinder - motor on right	90.0
QR-OTS-ML	System for "M" cylinder - motor on left	90.0
QR-OTS-MR/HHS	System with hand-held switch	91.4
QR-OTS-ML/HHS	System with hand-held switch	91.4
QR-M-OTS	Bracket only for "M" cylinder	22.0
QR-HSS/B	Hand-held switch with bracket	1.4

ITEM NO.	PARTNO.	DESCRIPTION	QTY.
1	3030-145-101	Base Casting	1
2	3030-145-103	Lifting Arm Weldment	1
3	3030-145-111	Adapter, Lifting Arm To Tank Brkt.	1
4	3030-140-113	Positioning Arm	1
5	3030-140-116	Rubber Pad, 1" x 4-1/2" x 1/4" Thk.	2
6	3030-140-117	Upper Mtg. Brkt., Actuator	1
7	3030-140-119	Housing, Locking Mechanism	1
8	3030-140-121	Slider, Locking Mechanism	1
9	3030-140-123	Hook, Locking Mechanism	2
10	3030-145-125	Handle, Locking Mechanism	1
11	3030-140-127	Lifting Arm Screw Sleeve, 3/4ID x 1 OD x 1-1/32Lg.	2
12	9014-117500	Plainwasher, 3/4φID	2
13	9010-107540	Screw, 3/4-10 x 2-1/2 Hex Hd.	2
14	3030-140-149	Damper, Hydraulic	1
15	3030-140-133	Sleeve, 3/8ID x 1/2OD x 1/2	4
16	9018-103716	Pivot Screw 3/8-16 x 1" Hex Hd. Grade 8	2
17	9013-133700	Nut, 3/8-16 Self Locking	5
18	9018-103720	Pivot Screw 3/8-16 x 1-1/4 Hex Hd. Grade 8	1
19	9014-115000	Flatwasher, 1/2ID	2
20	9018-103116	Mtg. Screw, Lock Mech 5/16-18 x 1" Hex Hd. Gr 8	4
21	9010-315036	Shoulder Screw, 1/2 x 2-1/4 Grip	1
22	9050-005056	Quic Release Pin 1/2 OD x 3-1/2 Grip	1
23	9018-104364	Mtg. Screw, Upper Mtg. Brkt. 7/16-14 x 4 HH Gr 8	2
24	9010-382512	Setscrew, Upper Mtg. Brkt. 1/4-20 x 3/4 Cup Point	2
25	9010-103116	Screw, Slider Attach 5/16-18 x 1 Hex Hd.	2
26	3030-140-141	Spacer, 1/2OD x 14GA x 7/16LG.	3
27	3030-140-130	Washer, Spring 1/2 ID x 1 OD, SS	1
28	9014-203100	Lockwasher, 5/16 Split	15
29	3030-145-127	Damper Mtg. Plate Stamping	1
30	9010-103110	Mtg. Screw, Brkt. To Adapter 5/16-18 x 5/8 Hex Hd.	12
31	3030-145-131	Spacer, 1-1/8ID x 1-5/8OD x 1/4	2
32	9010-103128	Mtg. Screw, Lock Mech HSG 5/16-18 x 1-3/4 Hex Hd.	2
33	3030-140-112	Electric Actuator	1
34	2070-105-119	Knob, Plastic	1
35	9010-113716	Screw, 3/8-24 x 1", Hex Hd.	1
36	9014-203700	3/8 Split Lockwasher	1
37	3030-140-147	Retainer, Latch Handle	1
38	3030-140-157	Spacer, 5/16ID x 1/2OD x 1 Lg	2
39	3030-140-159	Comp Spring, .660OD x .049 Wire x 7/8	2
40	9013-134300	Nut, 7/16-14 Self Locking	2
41	9014-113100	Flatwasher, 5/16 Nom. x 1/16 Thk.	18
42	9014-114300	Flatwasher, 7/16 Nom. x 1/16 Thk.	5
43	9114-13100	Flatwasher, 5/16 NOM x 3/4" OD S/S	1
44	9014-113700	Flatwasher, 3/8 Nom.	5
45	9013-133701	Nut, 3/8-16 Low Profile Flexloc	1
46	3030-140-161	End Fitting, Damper	2
47	9013-133100	Nut, 5/16-18 Flexloc, Hex	6
48	9010-103144	Damper To Base Mtg. Screw 5/16-18 x 2-3/4 Hex Hd.	1
49	3030-145-149	Spacer, 5/16ID x 1/2OD x 5/8L	1
50	9012-103100	Nut, 5/16-18 Plain, Hex	1
51	3030-135-136	Label, Cloth, "Threading Strap..."	3
52	3030-145-152	Spacer, 5/16ID x 1/2OD x 1/4L	1
53	3030-145-151	Cylinder Bracket Assembly for "M" Cylinder	1
54	3030-135-135	Strap & Buckle Assembly	3
55	3097-105-144	Switch, Toggle, DPDT (Mom.) NOT SHOWN	1
56	3030-140-167	Label "Handle Must Be In..." NOT SHOWN	1
57	3030-140-169	Label "Unlock/Lock"	1
58	3030-140-165	Nylon Tree Rivet Hole Dia. 3/16, 7/16	4
59	3030-140-171	Label "Stand Clear..." NOT SHOWN	1
60	3030-140-172	Label "Must Read..."	1
61	3030-140-173	Label Mounting Plate	1
62	9260-001802	Rivet, 3/16, .188-250 Grip	2
63	3030-000-109	Stop, Cylinder	1
64	9010-102512	Screw, 1/4-20 x 3/4 Hex Head	2
65	9012-302500	Wing Nut, 1/4-20	2
66	9014-112500	1/4 Nom., Flatwasher	2
67	9114-101800	3/16 Rivet Backup Washer	2
68	9018-103720	3/8-16 x 1-1/4 Hex Hd. M/S G8	2
71	9120-101103	Drive Screw #4 x 3/16 Type "U"	2
72	0000-000-105	Label, Model Number, Metal	1
73	3030-000-115	Label, "Meets KKK Specs" NOT SHOWN	1
74	9010-163720	Screw, 3/8-16 x 1-1/4 Flat Head	1

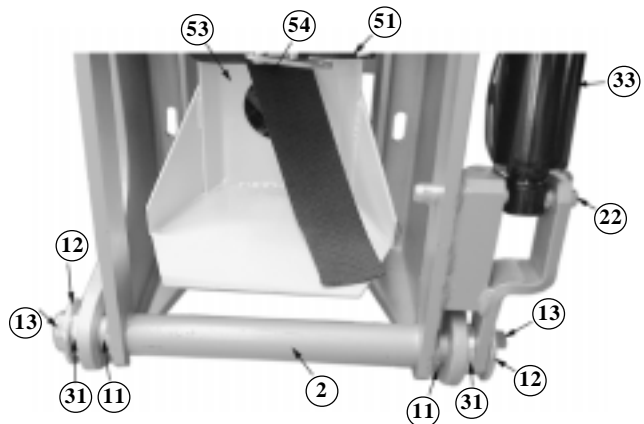


FIGURE 1

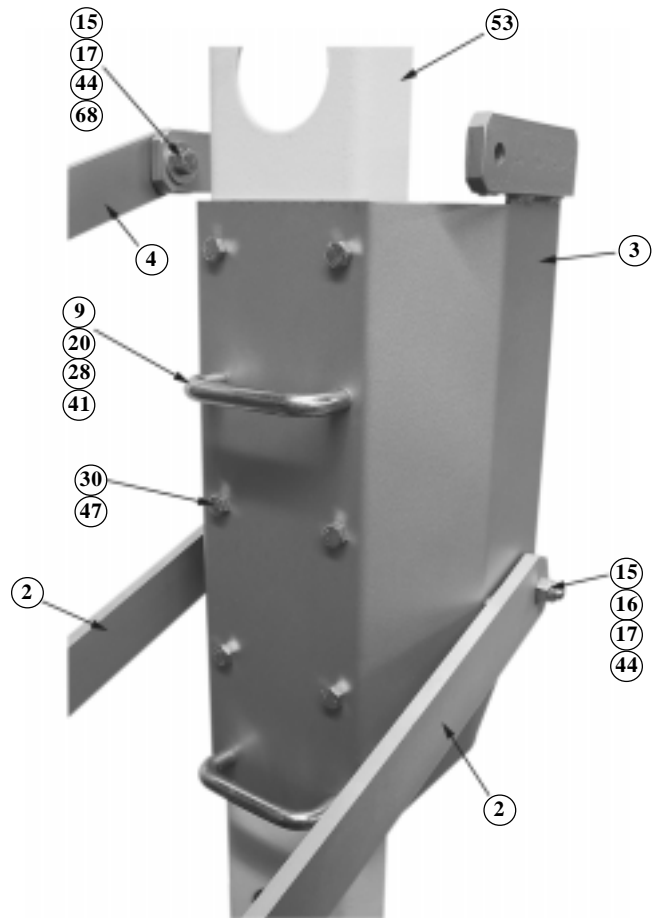
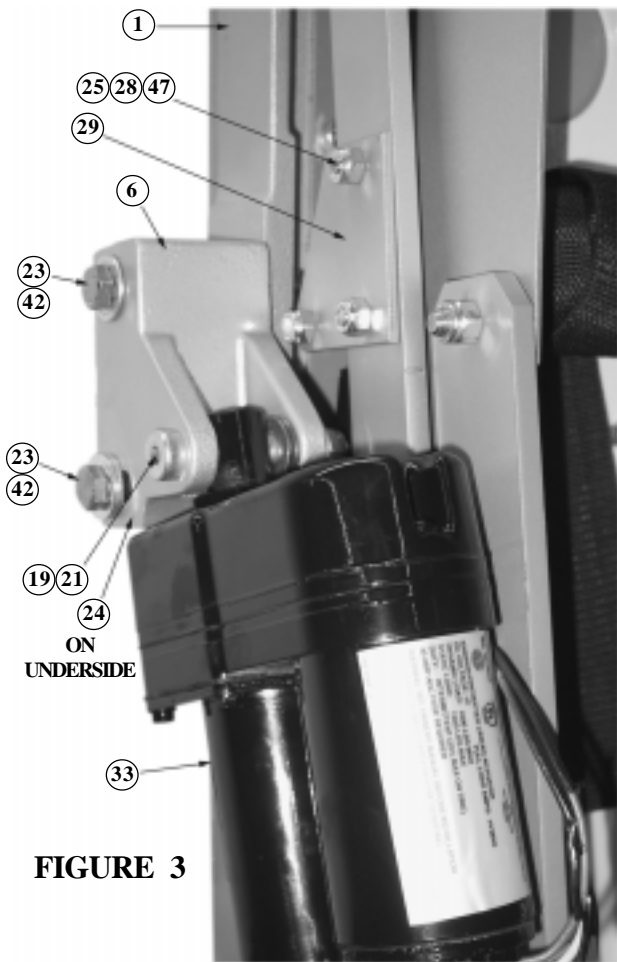
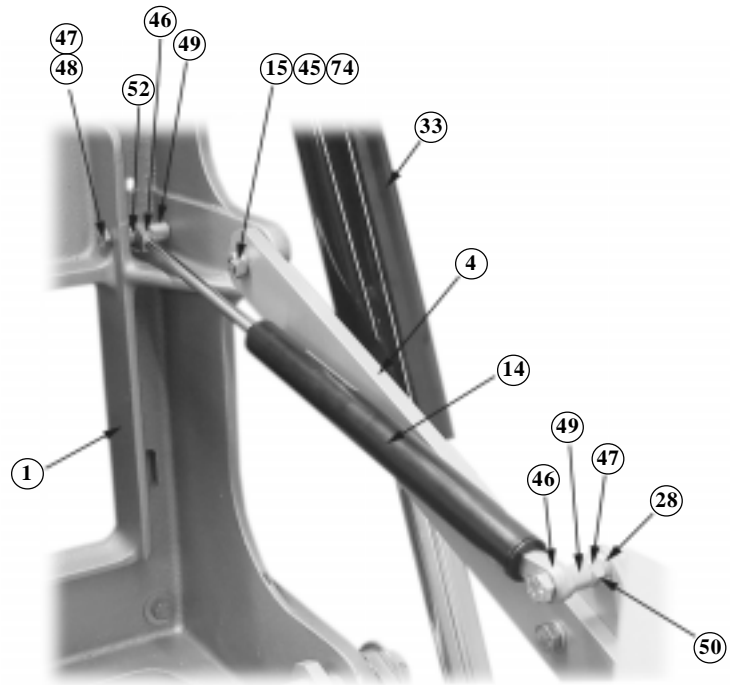


FIGURE 2



**FIGURE 3**

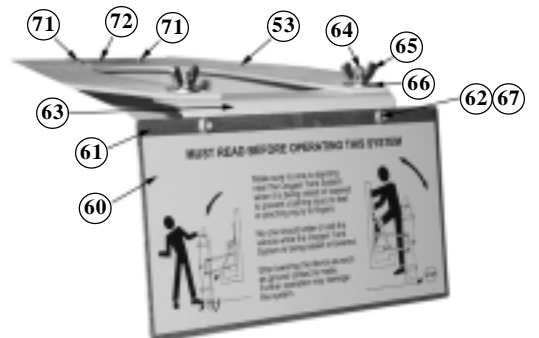


**FIGURE 4**



**FIGURE 5**

**FIGURE 6**

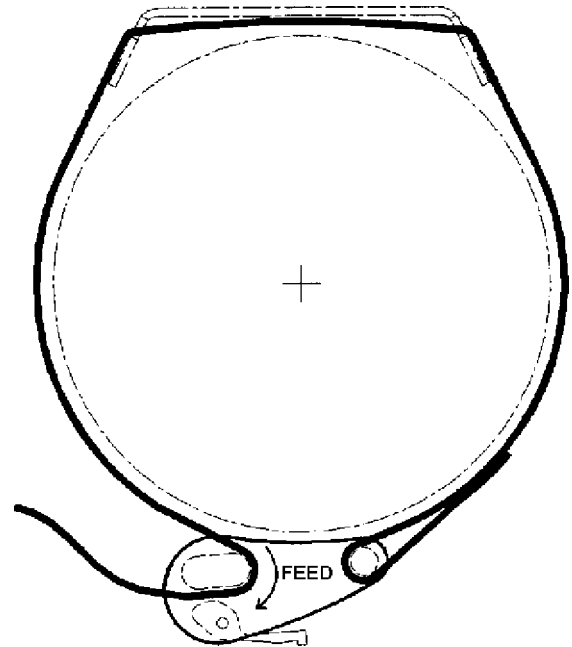
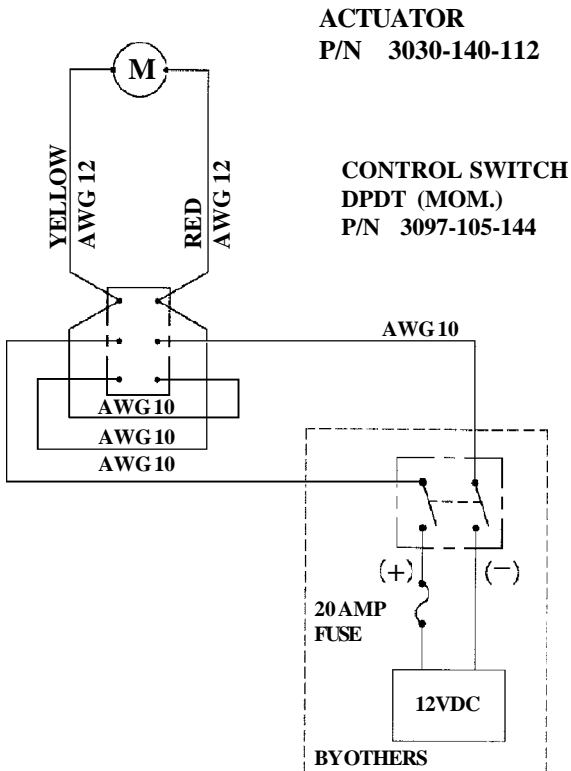


**FIGURE 7**

## Mounting Model QR-OTS Oxygen Tank Systems:

- Mounting Hardware: We recommend use of 3/8" diameter hex head bolts at least Grade 5 in eight (8) places to mount the base casting.
- Air Hose: Should be long enough to allow removal of air hose connection when the cylinder has been lowered to the ground.

### Electrical Schematic for all Systems:



Proper threading of strap through the buckle assembly



Hand-held switch may be ordered alone (QR-HHS/B) or with a system in place of the standard toggle switch. Comes with mounting bracket.



Ziamatic Corp.

www.ziamatic.com

CALL TOLL FREE: 800-711-FIRE

10 West College Avenue, P.O. Box 337, Yardley, PA 19067-8337 • (215) 493-3618 • FAX: (215) 493-1401

\*ZICO is a registered trademark for fire, safety and marine products made by Ziamatic Corp.

Copyright Ziamatic Corp. 7-03