

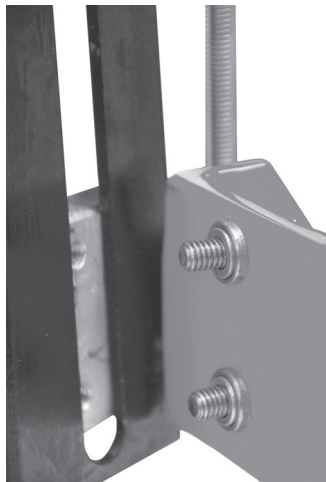
ROL-LOC ADJUSTABLE FOOTPLATE KIT PARTS AND INSTRUCTION MANUAL

The addition of the adjustable footplate kit to the Rol-Loc bracket allows for on the fly adjustments. The bracket can then adjust to variations in the length of cylinder with just a few turns of the knob.

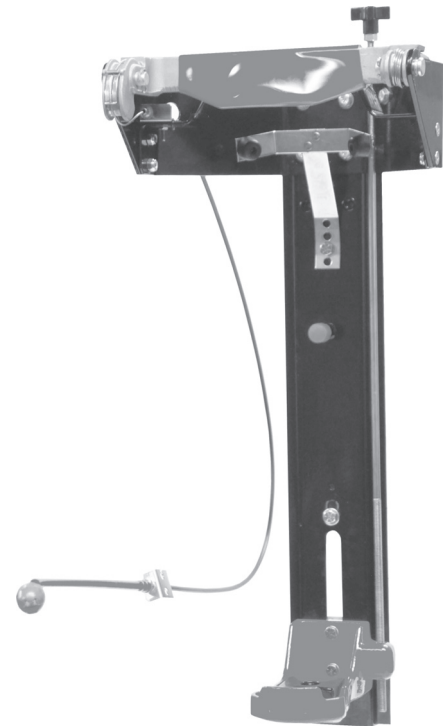


Installing an Adjustable Footplate

1. Remove the footplate from the Rol-Loc.
2. Grease the footplate spacers and slide them together to make rollers and install them on the footplate mounting bolts. (Rollers should be between the footplate and the mounting block.) Both rollers should be seated in the backplate slot and secured to the mounting block.



3. Thread the long threaded end of the adjustment rod into the footplate using a little grease.

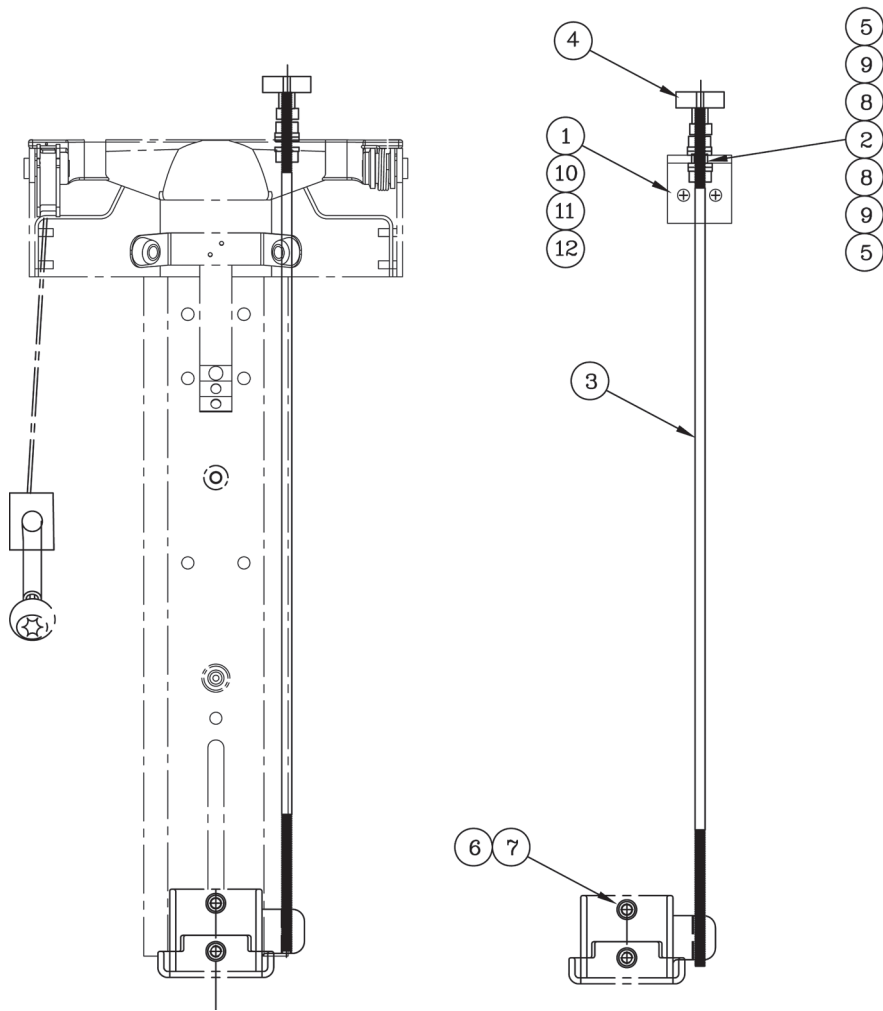


Rol-Loc shown with optional adjustable footplate kit

4. Mount the footplate adjuster bracket onto the upper bracket using (2) 1/4-20 x 3/4" Hex bolts, (2) 1/4-20 self-locking nuts, and (2) 1/4" washers.



5. Consult your Rol-Loc Parts Manual, 1027PM1, for directions on how to adjust your bracket to your air cylinder.



ITEM NO.	PART NUMBER	DESCRIPTION	QTY.
1	1027-112-105	Bracket, Footplate Adjuster	1
2	1045-320-137	Spacer	1
3	1045-320-113	Adjustment Rod	1
4	1045-320-175	Knob	1
5	9015-113100	Hex Nut, 5/16-18	3
6	1045-320-197	Spacer Sleeve, Footplate	2
7	1045-320-199	Spacer, Footplate	2
8	3097-105-130	Nylon Washer, 3/4" O.D.	2
9	9114-113100	5/16" Flatwasher	2
10	9010-102512	1/4-20 x 3/4" Screw, Hex Hd	2
11	9013-172500	1/4-20 Hex Nut, Nylock	2
12	9014-112500	1/4" Flatwasher	2



Ziamatic Corp.

10 West College Avenue, P.O. Box 337, Yardley, PA 19067-0587 • (215) 493-3618 • FAX: (215) 493-1401

www.ziamatic.com

TOLL FREE: 800-711-3473

*ZICO is a registered trademark for fire, safety and marine products made by Ziamatic Corp.

Copyright Ziamatic Corp. 5-5-09