

MODEL NBM-2 NOZZLE BRACKET MOUNT FOR PISTOL GRIP NOZZLES

INSTALLATION INSTRUCTIONS:

Mounting on horizontal surface: (See reverse side for vertical surface)

1. Determine where assembly will be mounted.

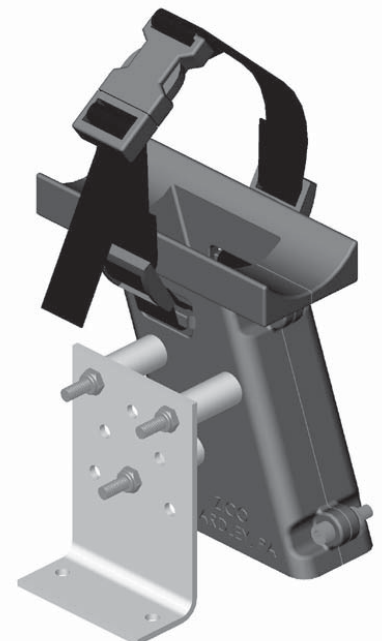
NOTE: Complete assembly can be mounted at various angles on the holster bracket (Item 3).

- a. Bracket (Item 3) may be mounted against holster casting (Items 1 or 2) using fasteners (Items 7 & 8).
 - b. Bracket (Item 3) may also be mounted away from holster casting using spacers (Item 4) and fasteners (Item 6 & 8).
2. After attaching bracket (Item 3) to either of the holster castings (Item 1 or 2), complete assembly of the mounting device.
 - a. Place bolt (Item 5) through holes (4 places) in holster front and back (Items 1 & 2) castings and attach nut (Item 8).
 - b. Place handle of pistol grip nozzle into top opening and tighten fasteners (Items 5 & 8).

NOTE: Tighten until handle of pistol grip is snug but not too tight to remove easily.

3. Place complete assembly back in desired mounting area, with pistol grip nozzle, to check for clearance.
 - a. Mark hole locations on mounting surface and drill holes for 1/4-20 fasteners.
 - b. Attach complete assembly using 1/4-20 fasteners (not supplied).
4. Attach strap (Item 9) and adjust to fit snug.

BILL OF MATERIAL			
ITEM	PART NUMBER	DESCRIPTION	QTY.
1	3070-106-101	Main Body - Side A, Aluminum Casting	1
2	3070-106-103	Main Body - Side B, Aluminum Casting	1
3	3070-105-115	Mounting Bracket, Metal Stamping	1
4	3070-105-120	Spacer, 1-3/8" Lg., Aluminum	3
5	9110-332516	Socket Hd Cap Screw, 1/4-20 x 1" Lg., S/S	4
6	9010-162540	Phil Flat Hd Screw, 1/4-20 NC 2-1/2" Lg	3
7	9010-162516	Phil Flat Hd Screw, 1/4-20 NC 1" LG	3
8	9013-172500	ESNA Hex Nut, 1/4-20 NC	7
9	3087-145-115	Strap Assembly, QM Small Strap Assembly	1



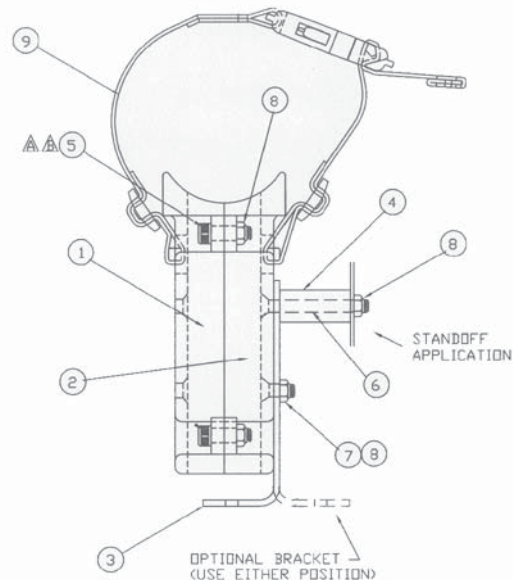
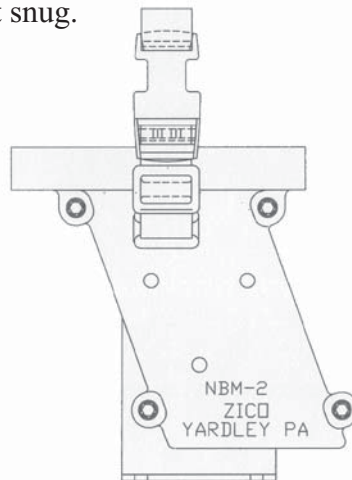
INSTALLATION INSTRUCTIONS:

Mounting on vertical surface:

1. Place holster back or front (Item 1 or 2) against mounting surface where complete assembly will be mounted.
 - a. Slide handle of pistol grip nozzle into the top of the holster back or front and hold against mounting surface, checking to make sure the nozzle will not hit against mounting surface.
 - b. Spacers (not supplied) may be required between holster casting and mounting surface.
2. After determining where complete assembly will be mounted:
 - a. Hold the holster back or front casting against the mounting surface and mark 3 hole locations (through casting) on the mounting surface.
 - b. Drill holes for 1/4-20 fasteners.
3. Mount the holster back or front casting to the mounting surface with 1/4-20 fasteners (not supplied).
4. Assemble bracket mount.
 - a. Place bolt (Item 5) through holes (4 places) in holster front and back (Items 1 & 2) castings and attach nut (Item 8).
 - b. Place handle of pistol grip nozzle into top opening of holster and tighten fasteners (Items 5 & 8).

NOTE: Tighten until handle of pistol grip is snug but not too tight to remove easily.

5. Attach strap (Item 9) and adjust to fit snug.



Ziamatic Corp.

10 West College Avenue, P.O. Box 337, Yardley, PA 19067-0587 • (215) 493-3618 • FAX: (215) 493-1401

*ZICO is a registered trademark for fire, safety and marine products made by Ziamatic Corp.

Copyright Ziamatic Corp. 6-06