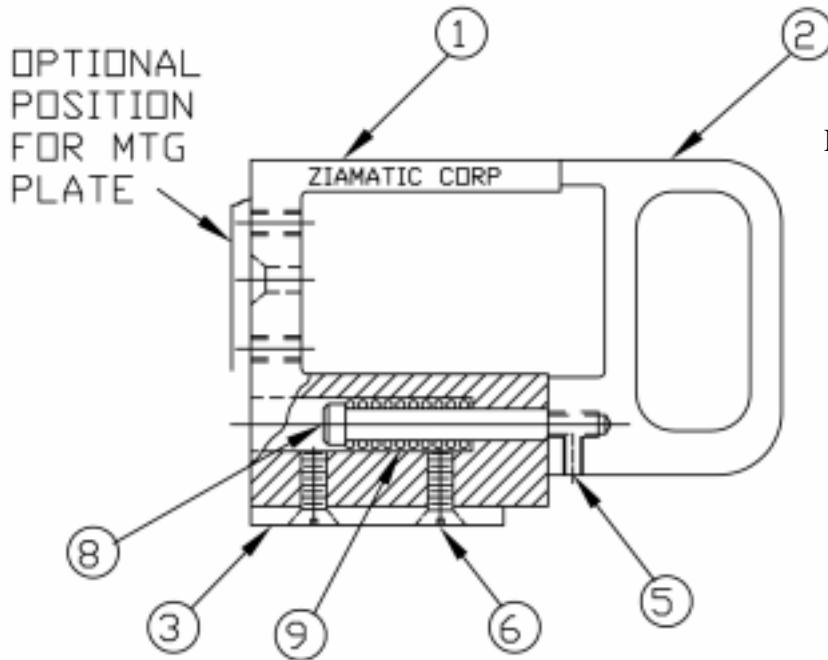


FOLDING LADDER BRACKET



Folding Ladder Brackets are available for use with:

Duo-Safety Series 585-A

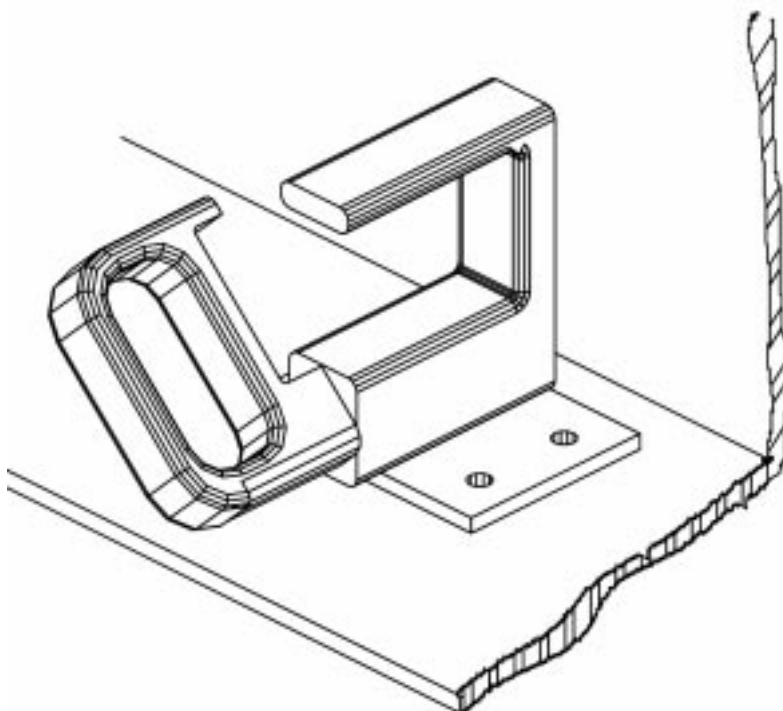
Model FLB Painted

Model FLB-C Chrome Plated

Alco-Lite Model ALP-080

Model FLBA Painted

Model FLBA-C Chrome Plated

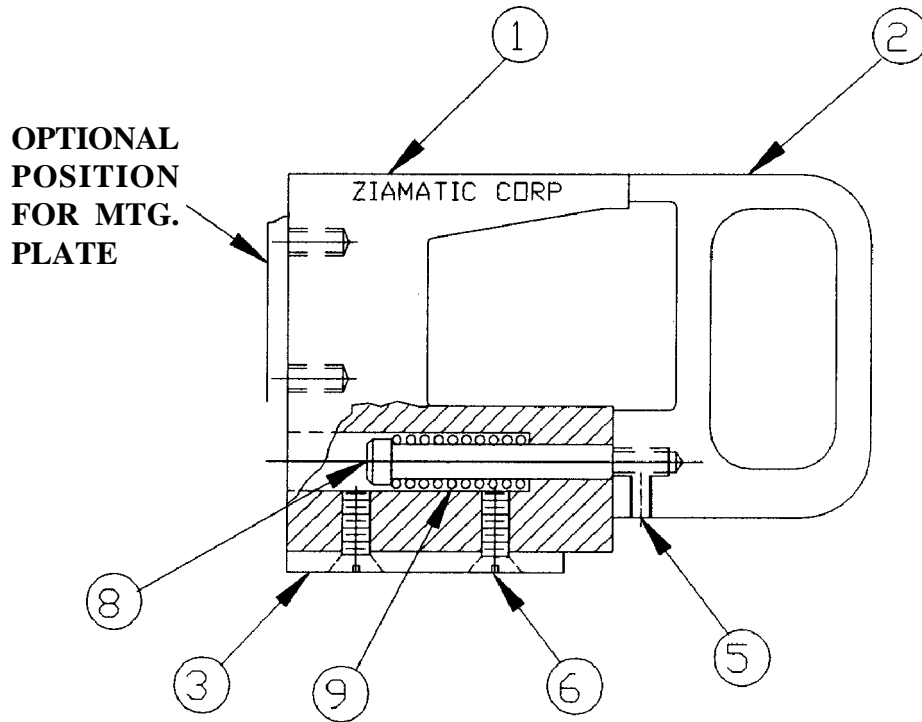


ITEM NO.	PART NO.	DESCRIPTION	PCS. REQ.
1A	3090-000-105	Body Casting-Painted	} 1
1B	3090-110-105	Body Casting - Chrome Plated	
2A	3090-000-110	Handle Casting-Painted	} 1
2B	3090-110-110	Handled Casting-Chrome Plated	
3A	3090-000-115	Mounting Plate-Painted	} 1
3B	3090-110-115	Mounting Plate-Chrome Plated	
5	9110-381606	8-32 x 3/8 Set Screw	1
6	9010-152510	1/4-20 x 5/8 Flat Head Screw	2
8	9010-313139	5/16-18 Socket Head Bolt	1
9	3090-000-120	Compression Spring	1

Ladder brackets may be mounted vertically or horizontally to suit your requirements. Mounting plate may be placed under bracket (as shown) or at end of bracket.

Folding Ladder Bracket for use with **Alco-Lite Model ALP-080:**

Model FLBA Painted
 Model FLBA-C Chrome Plated



ITEM NO.	PART NO.	DESCRIPTION	PCS. REQ.
1A	3090-155-105	Body Casting-Painted	} 1
1B	3090-160-105	Body Casting-Chrome Plated	
2A	3090-000-110	Handle Casting-Painted	} 1
2B	3090-110-110	Handle Casting-Chrome Plated	
3A	3090-000-115	Mounting Plate-Painted	} 1
3B	3090-110-115	Mounting Plate-Chrome Plated	
5	9110-381606	8-32 x 3/8 Set Screw	1
6	9010-152510	1/4-20 x 5/8 Flat Head Screw	2
8	9010-313139	5/16-18 Socket Head Bolt	1
9	3090-000-120	Compression Spring	1



Ziamatic Corp.

10 West College Avenue, P.O. Box 337, Yardley, PA 19067-0587 • (215) 493-3618 • FAX: (215) 493-1401

*ZICO is a registered trademark for fire, safety and marine products made by Ziamatic Corp.

Copyright Ziamatic Corp. 1-06