

Fyreye Addressable Reflective Beam Smoke Detector (ZT-50RA, ZT-100RA)



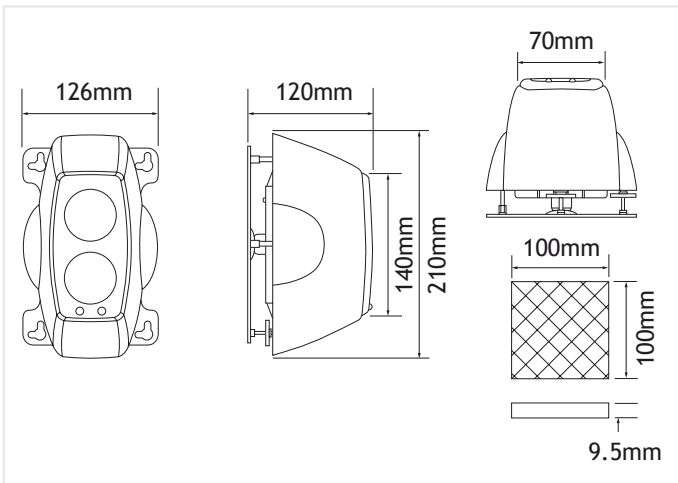
The Fyreye addressable reflective beam smoke detector comprises of a single unit incorporating an infrared transmitter and receiver. The signal is reflected by a prism and analysed for smoke presence. Should a predetermined level be reached, the detector will signal an alarm.

The system is designed to be mounted so that the beam will project between 0.3 and 0.6 metres below the ceiling and parallel to it. Lateral detection may be up to 7.5 metres either side of the beam.

Typical Applications

Beam detectors are generally used for two purposes; either to cover a wide-open space and/or in places where several regular smoke detectors would be aesthetically unacceptable. Such places include;

- ✓ Shopping centres
- ✓ Open Plan offices
- ✓ Heritage sites
- ✓ Warehouses
- ✓ Churches or mosques
- ✓ Factories
- ✓ Museums
- ✓ Power stations
- ✓ Leisure centres
- ✓ and more



Features

- ✓ 50 or 100 metre addressable reflective beam smoke detector
- ✓ Vds approved
- ✓ Complies fully to;
 - ✓ BS 5839 part 5
 - ✓ EN54 part 12
- ✓ Single compact housing
- ✓ Horizontal or vertical mounting
- ✓ 12-24V DC operation
- ✓ Low current consumption
- ✓ Latching or non latching alarm
- ✓ Reflector targeting mode to ease set-up
- ✓ Microprocessor controlled
- ✓ Automatic contamination compensation
- ✓ Selectable sensitivity
- ✓ Robust construction

Model	ZT-50RA	ZT-100RA
Part No.	47-055	47-056
Supply Voltage	17-33VDC	
Range	5-50 metres	50-100 metres
Quiescent Current	5mA	
Operating Temp.	-20° C to +55° C	
Max. Humidity	95%RH N/C	
Max. Wind Speed	Not affected	
Alarm Current	9 mA	
Fure Output	Analogue value to panel	
Fault Output	Analogue value to panel	
Construction	Flame Retardant ABS (Grey / Black). IP50	
Detector Size	210 x 117 x 120 mm	
Weight	0.7 kg	