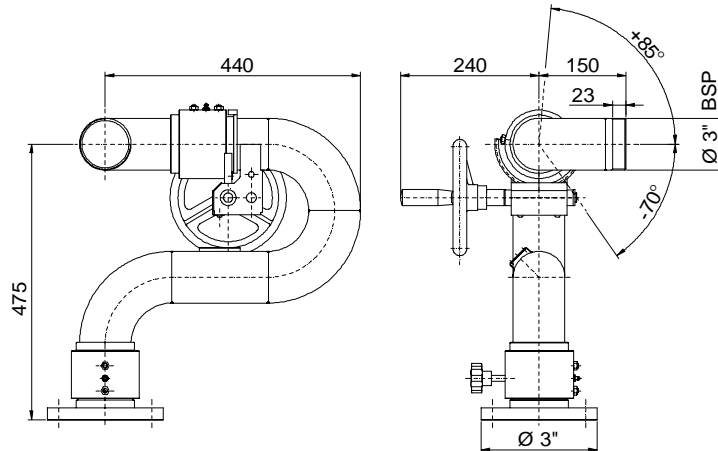
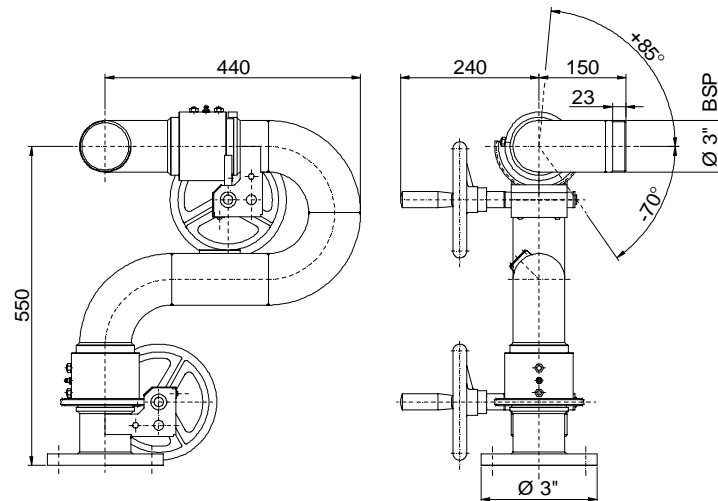


**MODEL W 3**



**MODEL W T3**



Dimensions in mm

**CONSTRUCTION FEATURES**

Body material: stainless steel AISI 316, size 3"

Joints material: stainless steel AISI 316, phosphor bronze balls mounted with greasers

UNI/DIN or ANSI inlet flange material: carbon steel

Design pressure: 16 bar

Max. working pressure (advised): 12 bar

Rotation: 360° continuous

Finish: red epoxy paint (RAL 3000)

**OPTIONAL**

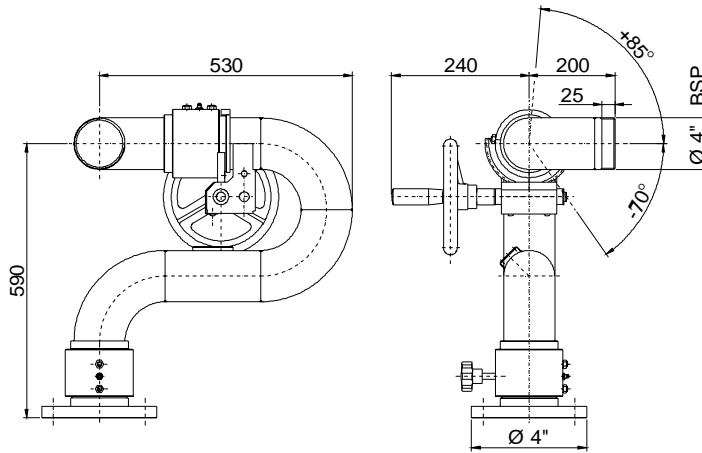
Inlet flange material: stainless steel AISI 316

Different inlet flange sizes

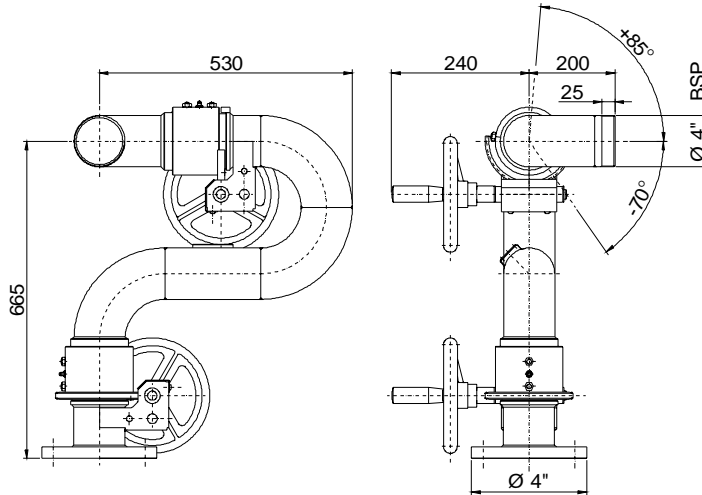
Hydraulic and/or functional test witnessed

MODEL	MAXIMUM FLOW RATE	WEIGHT
W 3	4000 l/min	24 kg
W T3	4000 l/min	26 kg

**MODEL W 4**



**MODEL W T4**



Dimensions in mm

**CONSTRUCTION FEATURES**

- Body material: stainless steel AISI 316, size 4"
- Joints material: stainless steel AISI 316, phosphor bronze balls mounted with greasers
- UNI/DIN or ANSI inlet flange material: carbon steel
- Design pressure: 16 bar
- Max. working pressure (advised): 12 bar
- Rotation: 360° continuous
- Finish: red epoxy paint (RAL 3000)

**OPTIONAL**

- Inlet flange material: stainless steel AISI 316
- Different inlet flange sizes
- Hydraulic and/or functional test witnessed

MODEL	MAXIMUM FLOW RATE	WEIGHT
W 4	7000 l/min	34 kg
W T4	7000 l/min	37 kg