

Piezo Dynamic Series (PD) SIRENS



WAVE2PD



747PD



Honeywell's Piezo Dynamic (PD) WAVE2PD and 747PD Sirens produce traditional "speaker" sound while drawing 1/4 the current of typical sirens. This allows multiple devices to be installed on the same alarm panel without the need for additional hardware, costs and labor.

The sirens feature a sleek, lightweight design, an easy-to-wire terminal block and a hinged case cover. The WAVE2PD and 747PD Sirens are globally compliant and UL approved and ideal for residential application.

FEATURES

- Low current draw lets you add additional sirens in areas like basements, garages, hallways and more
- Two tones to choose from: Steady and Warble
- Lightweight ABS plastic case is less than half the weight of standard sirens
- Enclosed PCB to protect components
- Easy-to-wire terminal block eliminates the need to splice and crimp wire
- Hinged case cover with elliptical mount holes provide installation convenience
- Tampered versions available to provide an added level of protection and meet global requirements
- Compatible with LYNX control panels
- Large wiring channel provides plenty of room for wire

Dimensions: See reverse side for dimensional drawings and ordering information

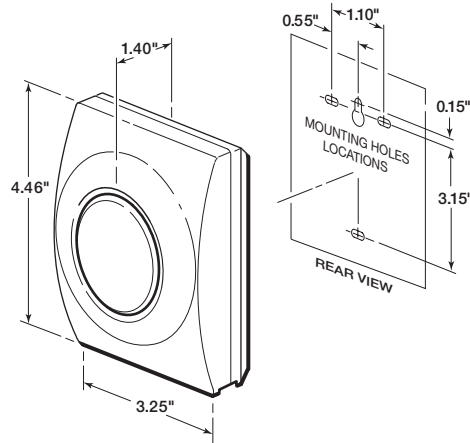
Piezo Dynamic Series

(PD) SIRENS

SPECIFICATIONS

WAVE2PD

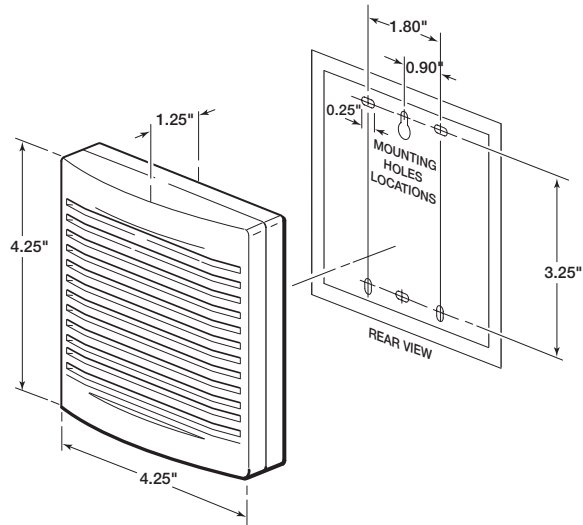
- Sound Output**
- 105dB @ 1 meter
- Current Draw**
- 120mA
- Operation Voltage**
- 12VDC



Dimensional Drawing for WAVE2PD Siren

747PD

- Sound Output**
- 105dB @ 1 meter
- Current Draw**
- 120mA
- Operation Voltage**
- 12VDC



Dimensional Drawing for 747PD Siren

ORDERING

WAVE2PD	Piezo Dynamic Siren
WAVE2PDT	Piezo Dynamic Siren with Tamper
747PD	Piezo Dynamic Siren
747PDT	Piezo Dynamic Siren with Tamper

Honeywell Security & Custom Electronics
 Honeywell International Inc.
 PO Box 9035
 Syosset, NY 11791
 www.honeywell.com

PL06005
 L/PIEZODYN/D
 May 2006
 ©2006 Honeywell International Inc.

Honeywell