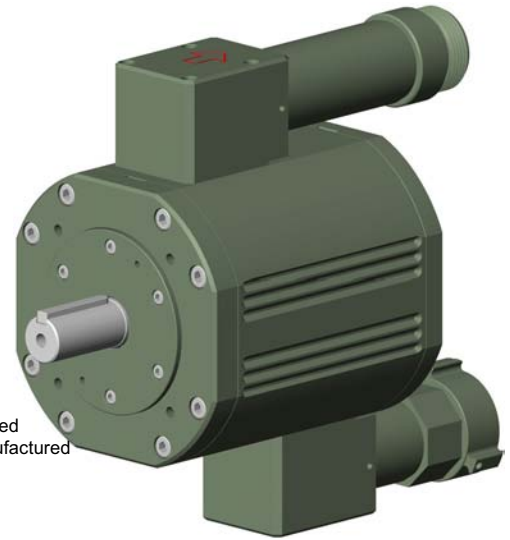


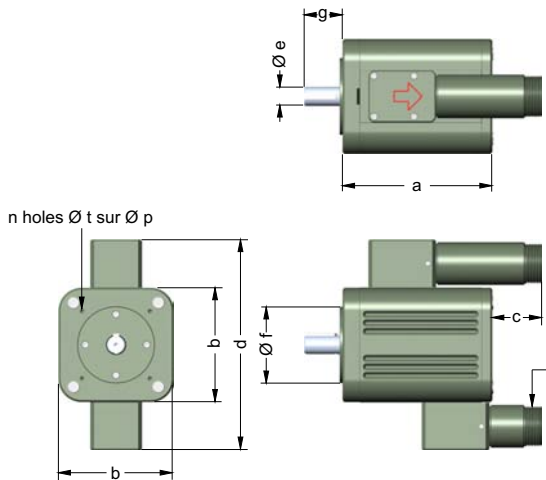


# HIGH-SPEED HYDRAULIC MOTOR TURBO-PUMP

Power (kW -HP)	Maximum RPM	Water consumption (l/min - gpm)	Code
1.5 - 2	20000	100 - 26	<b>10612</b>
2.5 - 3.3	18000	150 - 40	<b>10613</b>
4 - 5.3	15000	250 - 66	<b>10614</b>
9 - 12	9000	500 - 132	<b>10615</b>
15 - 20	5000	1000 - 264	<b>11187</b>



The shafts of the high-speed hydraulic motors are manufactured from titanium and are individually calibrated.



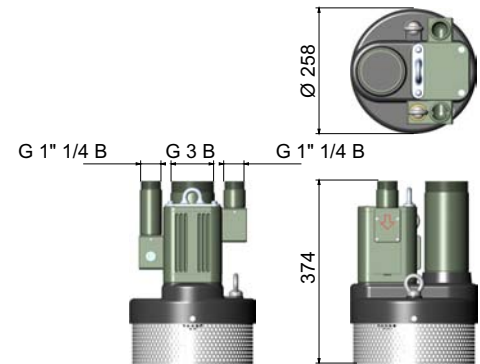
### Dimensions in mm

P(kW)	a	b	c	d	e	f	g	h	n	t	p
1.5	128	90	32	166	11	60	21	G 3/4 B	4	M 5	75
2.5	134	105	35	189	14	70	30	G 1 B	4	M 6	85
4	157	120	52	221	19	80	43	G 1 1/4 B	4	M 6	100
9	189	165	52	289	28	110	60	G 1 1/2 B	4	M 8	130
15	244	Ø 350	84	-	42	250	110	G 2 B	4	Ø 18	300

With our exclusive high speed hydraulic pump, propeller in stainless steel this pump will flow 1000 lt/min. / 265 GPM. The hydraulic motor will flow 250 lt/min / 66 GPM @ 14 bar / 200 PSI. Inlet and outlet 1.5", 2.5" or 3.0".

### Turbo Pump 2002

Description	Code
Turbo-pump 2002 specify inlet, outlets sizes and styles	<b>13509</b>



### Technical Characteristics

