

# Electromagnetic Door Holders Datasheet

## Door Holders

### Product Overview

Morley-IAS range of door holders provide attractive aesthetics and high performance for buildings requiring an automatic door release function in the event of a fire emergency.

Each door holder is fitted with a spring loaded release pin mounted centrally within the electromagnet. On power off, the release pin then pushes the door away from the electromagnet. This overcomes any residual magnetism ensuring correct operation.

The D.C. unit is fitted with a suppression diode and protection against reverse polarity such that it may be operated from a reverse polarity monitored circuit.

All the electromagnets are designed to comply with the latest requirements of EN61000-3-2, EN50081-1, EN60950 and EN1155.

The low profile, flame retardant ABS housing results in an attractive and robust design and contains a push button for quick, easy release of the door.



### Key Features

- Low profile design
- 200N holding force
- Easy cable entry & exit
- A.C. or D.C. options
- Push button release/test
- Floor mounting bracket available
- Anti-residual magnetism feature
- D.C. version polarised and suppressed feature

**MORLEY**



**IAS**

**FIRE SYSTEMS**

by Honeywell

# Door Holders

Door holders are designed to hold a fire door in the open position until a fire is detected in the area and the fire alarm control panel signals to release the doors. The doors then close aided by the self closing mechanism fitted to the door in order to compartmentalise the building, reducing the spread of smoke and fire.

All the electromagnets are designed to comply with the latest requirements of EN61000-3-2, EN50081-1, EN60950 and EN1155 (CPD Approved)



## Specification

### FLOOR MOUNTED 24V DC DOOR HOLDER - 04390-41

#### Mechanical Specification

Approx Weight	700g
Finish	White painted housing, zinc plated magnet
Holding Force	200N

#### Electrical Specification

Voltage	24V dc
Current Consumption	45mA

#### Environmental Specifications

Ambient Temperature	0°C to +35°C
---------------------	--------------

### WALL MOUNTED 24V DC DOOR HOLDER - 04390-31

#### Mechanical Specification

Approx Weight	360g
Finish	White Fire Resistant ABS
Holding Force	200N

#### Electrical Specification

Voltage	24V dc
Current Consumption	45mA

#### Environmental Specifications

Ambient Temperature	0°C to +35°C
---------------------	--------------

#### Approvals

EN1155 :1997 (CPD Approved)

### WALL MOUNTED 230V AC DOOR HOLDER - 04390-55

#### Mechanical Specification

Approx Weight	360g
Finish	White Fire Resistant ABS
Holding Force	200N

#### Electrical Specification

Voltage	230V ac
Current Consumption	12mA

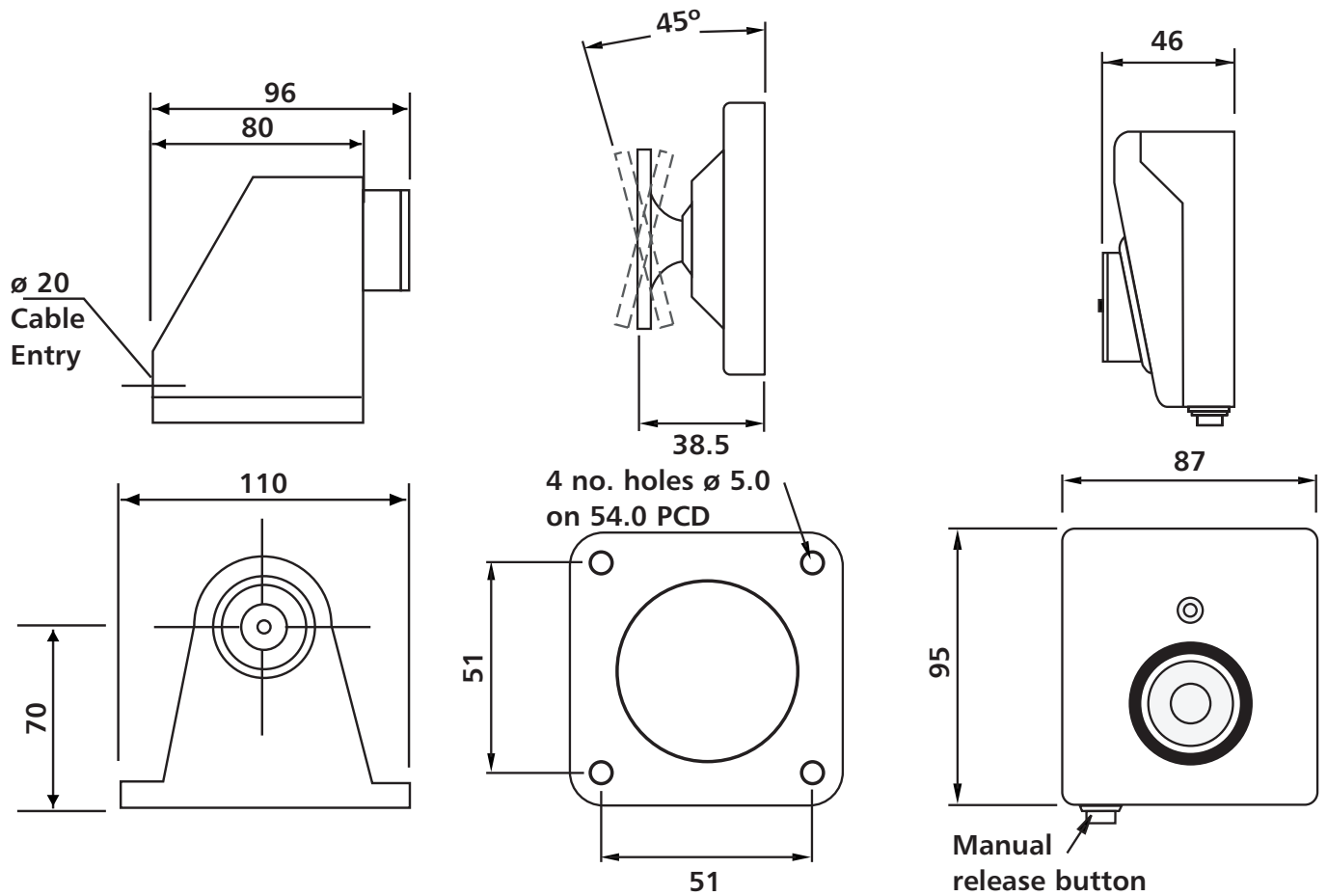
#### Environmental Specifications

Ambient Temperature	0°C to +40°C
---------------------	--------------

#### Approvals

EN1155 :1997 (CPD Approved)

# Dimensions



## DESCRIPTION

## ORDER CODES

Magnet Door Holder 24V DC 22mA	04390-31
Magnet Door Holder floor mounted 24V DC 45mA	04390-41
Magnet Door Holder 240V AC 17.5mA	04390-55
Door Holder Floor Plate; fixing door holder at right angle to floor	04390-92
Door Plate Assembly (Spare), Door Keeper Plate in two pieces	04390-99
Door Hold Transformer-Rectifier 24V 2A	HLS-PSU-TR20
Door Hold Transformer-Rectifier 24V 4A	HLS-PSU-TR40



**MORLEY**  **IAS**  
**FIRE SYSTEMS**  
by Honeywell

Charles Avenue  
Burgess Hill  
West Sussex  
RH15 9UF UK

**T** +44 (0) 1444 235 556  
**F** +44 (0) 1273 376 694  
**E** [sales@morleyias.co.uk](mailto:sales@morleyias.co.uk)  
[www.morley-ias.co.uk](http://www.morley-ias.co.uk)