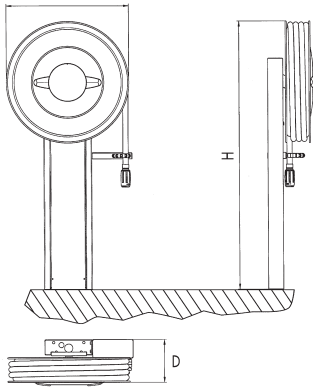


• NOHA MODEL 5D



NOHA FREE-STANDING FIRE HOSE REEL FOR FLOOR MOUNTING

Hose reel fixed to a pedestal for mounting on the floor. The water supply is hidden inside the pedestal.

For entrance halls, in front of glass panels and beside columns.

NOHA MODEL 5D IS CE-MARKED ACCORDING TO EN671-1 AND SUPPLIED WITH:

- Hose reel with side discs powder coated RAL 3001 red gloss 15
- 1" manual stop valve
- NOHA quick-change coupling system on reel outlet
- NOHA jet/spray/shut-off nozzle
- NOHA special black hose, designed to standard EN694 for fire hose reels
- Centre parts made of brass
- Adjustable brake
- Roller hose guide allowing the hose to be run out in any direction
- Pedestal made of steel, powder coated RAL 3001 red gloss 15
- Supply pipe and connections built into the pedestal
- Bracket for floor mounting
- NOHA installation instructions

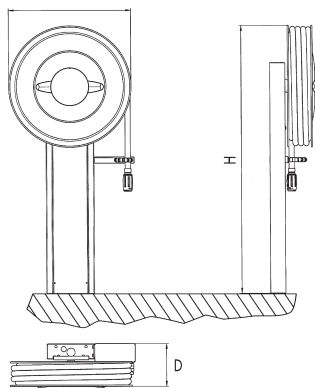
Model	Hose length in metres		Dimensions in mm W x H x D	Order number
	19 mm	25 mm		
5D	20		600 x 1300 x 220	555166
5D	25		600 x 1300 x 220	555167
5D	30		600 x 1300 x 220	555168
5D		20	600 x 1300 x 275	555169
5D		25	600 x 1300 x 275	555170
5D		30	600 x 1300 x 275	555171

OPTIONS

- Red hose
- Light hose



• NOHA MODEL 5DA



NOHA FREE-STANDING FIRE HOSE REEL WITH AUTOMATIC STOP VALVE FOR FLOOR MOUNTING

Hose reel fixed to a pedestal for mounting on the floor. The water supply piping is hidden inside the pedestal. The automatic stop valve opens to provide full capacity within just two revolutions of the reel.

For entrance halls, in front of glass panels and beside columns.

NOHA MODEL 5DA IS CE-MARKED ACCORDING TO EN671-1 AND SUPPLIED WITH:

- Hose reel with side discs powder coated RAL 3001 red gloss 15
- Integrated NOHA automatic stop valve
- NOHA quick-change coupling system on reel outlet
- NOHA jet/spray/shut-off nozzle
- NOHA special black hose, designed to standard EN694 for fire hose reels
- Centre parts made of brass
- Adjustable brake
- Roller hose guide allowing the hose to be run out in any direction
- Pedestal made of steel, powder coated RAL 3001 red gloss 15
- Supply pipe and connections built into the pedestal
- Bracket for floor mounting
- NOHA installation instructions

Model	Hose length in metres		Dimensions in mm W x H x D	Order number
	19 mm	25 mm		
5DA	20		600 x 1300 x 220	555172
5DA	25		600 x 1300 x 220	555173
5DA	30		600 x 1300 x 220	555174
5DA		20	600 x 1300 x 275	555175
5DA		25	600 x 1300 x 275	555176
5DA		30	600 x 1300 x 275	555177

OPTIONS

- Red hose
- Light hose

