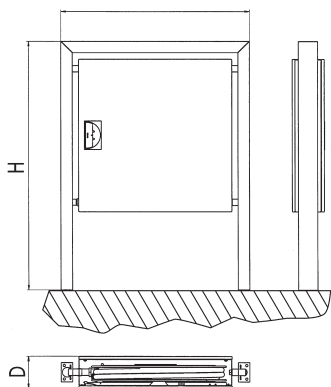


• NOHA MODEL 5BR



NOHA FREE-STANDING FIRE HOSE REEL AND CABINET FOR FLOOR-MOUNTING

Hose reel mounted behind the door on a swivel plate which opens 180°. The reel can easily be removed from the cabinet to facilitate the installation. The cabinet is fixed to a robust frame for mounting on the floor. The water supply piping to the reel is hidden in the frame.

Suitable for use in locations where it is undesirable to mount it on the wall; in entrance halls, in front of glass panels, beside columns and in places with great floor space.

NOHA MODEL 5BR IS CE-MARKED ACCORDING TO EN671-1 AND SUPPLIED WITH:

- Hose reel with side discs powder coated RAL 3001 red gloss 15
- 1" manual stop valve
- NOHA quick-change coupling system on reel outlet
- NOHA jet/spray/shut-off nozzle
- NOHA special black hose, designed to standard EN694 for fire hose reels
- NOHA special supply hose
- Centre parts made of brass
- Adjustable brake
- Hinges on right hand side
- NOHA door catch/release handle
- Cabinet powder coated RAL 9010 white gloss 15
- Frame for mounting on the floor, powder coated RAL 3001 red gloss 15
- Mounting template
- Water supply piping inside the frame
- Door sign in accordance with Council Directive 92/58/EEC
- NOHA installation instructions

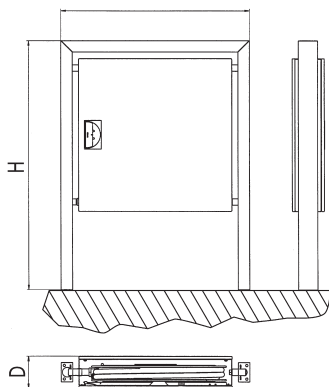
Model	Hose length in metres		Dimensions in mm W x H x D	Order number
	19 mm	25 mm		
5BR	20		980 x 1300 x 160	555154
5BR	25		980 x 1300 x 160	555155
5BR	30		980 x 1300 x 160	555156
5BR		20	980 x 1300 x 225	555157
5BR		25	980 x 1300 x 225	555158
5BR		30	980 x 1300 x 225	555159

OPTIONS

- Cabinet RAL 3001 red
- Cabinet RAL ____ (smooth surface gloss 70)
- Door for manual call point
- Hinges on left hand side
- Red hose
- Light hose



• NOHA MODEL 5BRA



NOHA FREE-STANDING FIRE HOSE REEL WITH AUTOMATIC STOP VALVE AND CABINET FOR FLOOR-MOUNTING

Hose reel mounted behind the door on a swivel plate which opens 180°. The reel can easily be removed from the cabinet to facilitate the installation. The cabinet is fixed to a robust frame for mounting on the floor. The water supply piping to the reel is hidden in the frame. The automatic stop valve opens to provide full capacity within just two revolutions of the reel.

Suitable for use in locations where it is undesirable to mount it on the wall; in entrance halls, in front of glass panels, beside columns and in places with great floor space.

NOHA MODEL 5BRA IS CE-MARKED ACCORDING TO EN671-1 AND SUPPLIED WITH:

- Hose reel with side discs powder coated RAL 3001 red gloss 15
- 1" automat stop valve
- NOHA quick-change coupling system on reel outlet
- NOHA jet/spray/shut-off nozzle
- NOHA special black hose, designed to standard EN694 for fire hose reels
- NOHA special supply hose
- Centre parts made of brass
- Adjustable brake
- Hinges on right hand side
- NOHA door catch/release handle
- Cabinet powder coated RAL 9010 white gloss 15
- Frame for mounting on the floor, powder coated RAL 3001 red gloss 15
- Mounting template
- Water supply piping inside the frame
- Door sign in accordance with Council Directive 92/58/EEC
- NOHA installation instructions

Model	Hose length in metres		Dimensions in mm W x H x D	Order number
	19 mm	25 mm		
5BRA	20		980 x 1300 x 160	555160
5BRA	25		980 x 1300 x 160	555161
5BRA	30		980 x 1300 x 160	555162
5BRA		20	980 x 1300 x 225	555163
5BRA		25	980 x 1300 x 225	555164
5BRA		30	980 x 1300 x 225	555165

OPTIONS

- Cabinet RAL 3001 red
- Cabinet RAL ____ (smooth surface gloss 70)
- Door for manual call point
- Hinges on left hand side
- Red hose
- Light hose

