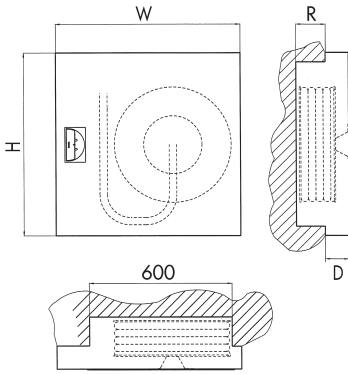


# • NOHA MODEL 43



## NOHA FIRE HOSE REEL AND CABINET REPLACES RECESS-STORED CANVAS HOSE, FOR WALL-MOUNTING

Hose reel mounted on the door which opens 180°. The hose reel can easily be removed to facilitate the installation. The cabinet is supplied without back wall, allowing the door-mounted reel to swing into the recess and the supply hose to be connected to the valve in the recess.

For use in office buildings, schools, hospitals, kindergartens, sports arenas, cinemas, hotels and conference centres, airports and shopping centres.

### NOHA MODEL 43 IS CE-MARKED ACCORDING TO EN671-1 AND SUPPLIED WITH:

- Hose reel with side discs powder coated RAL 3001 red gloss 15
- 1" manual stop valve
- NOHA quick-change coupling system on reel outlet
- NOHA jet/spray/shut-off nozzle
- NOHA light semi-rigid woven textile hose, designed to standard EN694 for fire hose reels
- NOHA special supply hose
- Centre parts made of brass
- Adjustable brake
- Hinges on right hand side
- NOHA door catch/release handle
- Cabinet powder coated RAL 9010 white gloss 15
- Door sign in accordance with Council Directive 92/58/EEC
- NOHA installation instructions

| Model | Hose length in metres |       | Dimensions in mm<br>W x H x D + R | Order number |
|-------|-----------------------|-------|-----------------------------------|--------------|
|       | 19 mm                 | 25 mm |                                   |              |
| 43    | 25                    |       | 795 x 795 x 50 + 120              | 555152       |
| 43    | 30                    |       | 795 x 795 x 50 + 160              | 555153       |

### OPTIONS

- Colour cabinet RAL 3001 red
- Cabinet RAL \_\_\_\_ (smooth surface gloss 70)
- Door for manual call point
- Hinges on left hand side

