

TECHN. DATEN (TECHNICAL DATA):

NENNDRUCK (NOMINAL PRESSURE) P_N 70 MPa (700bar)
 PRÜFDRUCK (TEST PRESSURE) P_p 84 MPa (840bar)
 GEWICHT (WEIGHT) 25,1 kg
 (INKL. 0,3m SCHLÄUCHE U. KUPPLUNGEN; INCL. 0,3m HOSES AND COUPLINGS)
 ÖLBEDARF (REQUIRED OIL VOLUME) 0,3 l

ZUBEHÖR (ACCESSORIES):

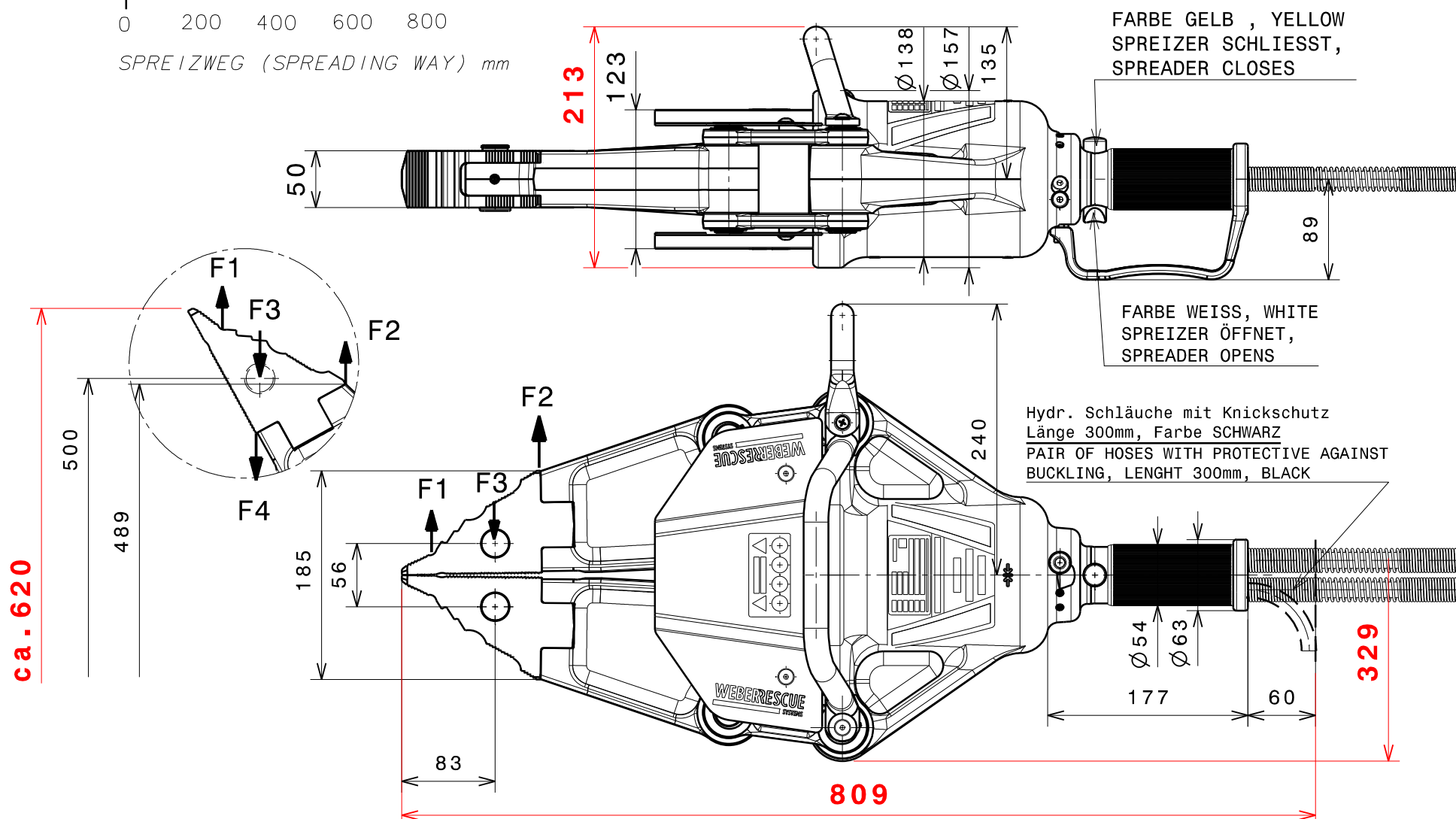
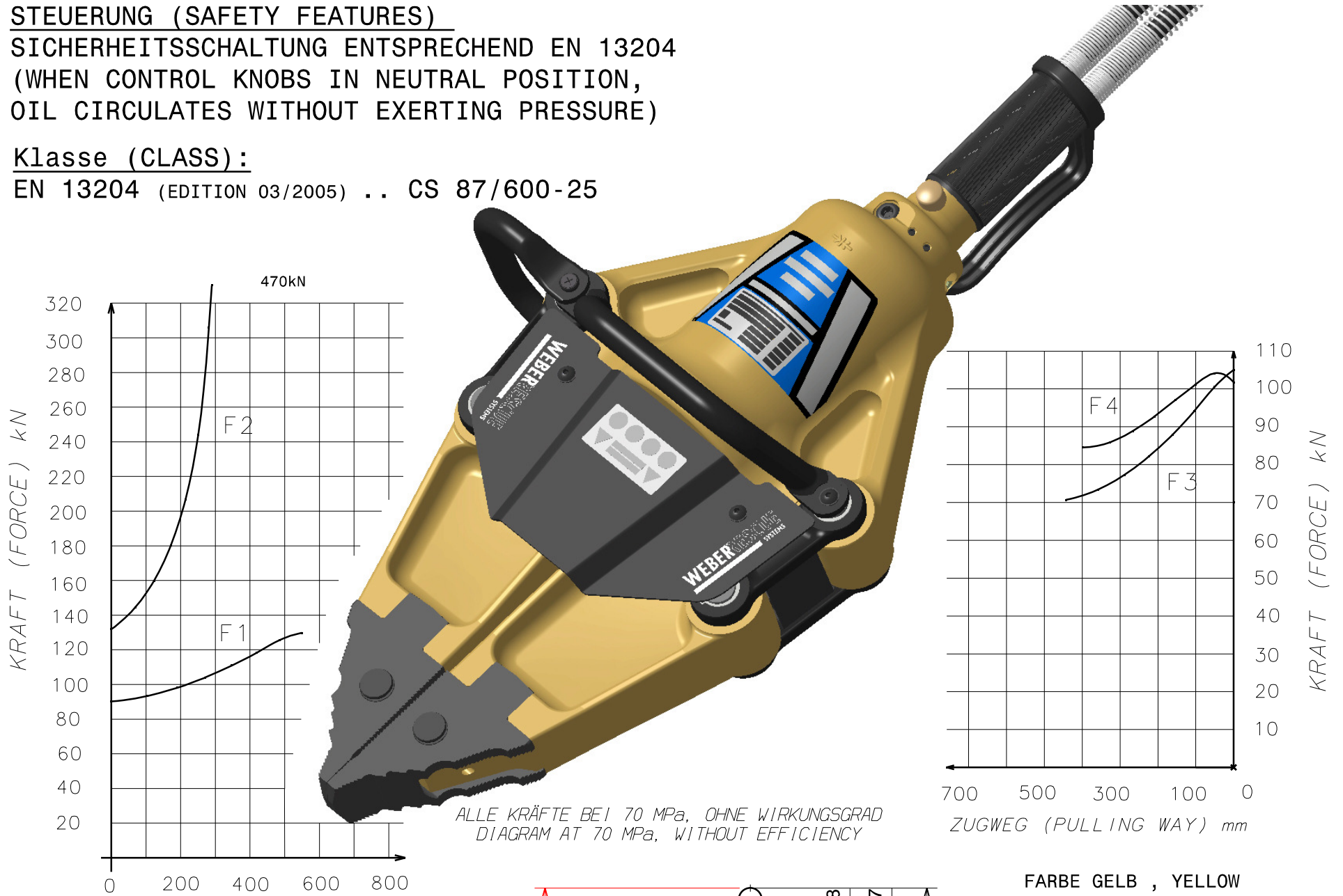
KETTENSATZ (PULLING CHAIN) 1,80m 284013.8

STEUERUNG (SAFETY FEATURES)

SICHERHEITSSCHALTUNG ENTSPRECHEND EN 13204 (WHEN CONTROL KNOBS IN NEUTRAL POSITION, OIL CIRCULATES WITHOUT EXERTING PRESSURE)

Klasse (CLASS):

EN 13204 (EDITION 03/2005) .. CS 87/600-25



GEPR. JSC CHECK.
 GEZ. KST DRAW. DAT. 27.02.06
 KST 14.11.11
 GEAND. MODIF. AEND.-DATUM MOD.-DATE
 110889 B
 AEND.-NR. MOD.-NO. REVISION REVISION

FREIMASSTOLERANZEN (GENERAL TOLERANCES)	LAENGENMASS (LENGHT)mm	...50	50...250	250...1000	1000...	WINKELMASS (ANGLE)	...180°
	TOLERANZ (TOLERANCE)mm	±1,5	± 2,0	± 3,0	± 5,0	TOLERANZ (TOLERANCE)	±10°