

### TECHN. DATEN (TECHNICAL DATA):

NENNDRUCK (NOMINAL PRESSURE)  $P_N$  ..... 70 MPa (700bar)  
 PRÜFDRUCK (TEST PRESSURE)  $P_p$  ..... 84 MPa (840bar)  
 GEWICHT (WEIGHT) ..... 17,6 kg (RSX180- 80)  
 ..... 17,8 kg (RSX180- 80 PLUS)

(INKL. 0,3m SCHLÄUCHE U. KUPPLUNGEN; INCL. 0,3m HOSES AND COUPLINGS)

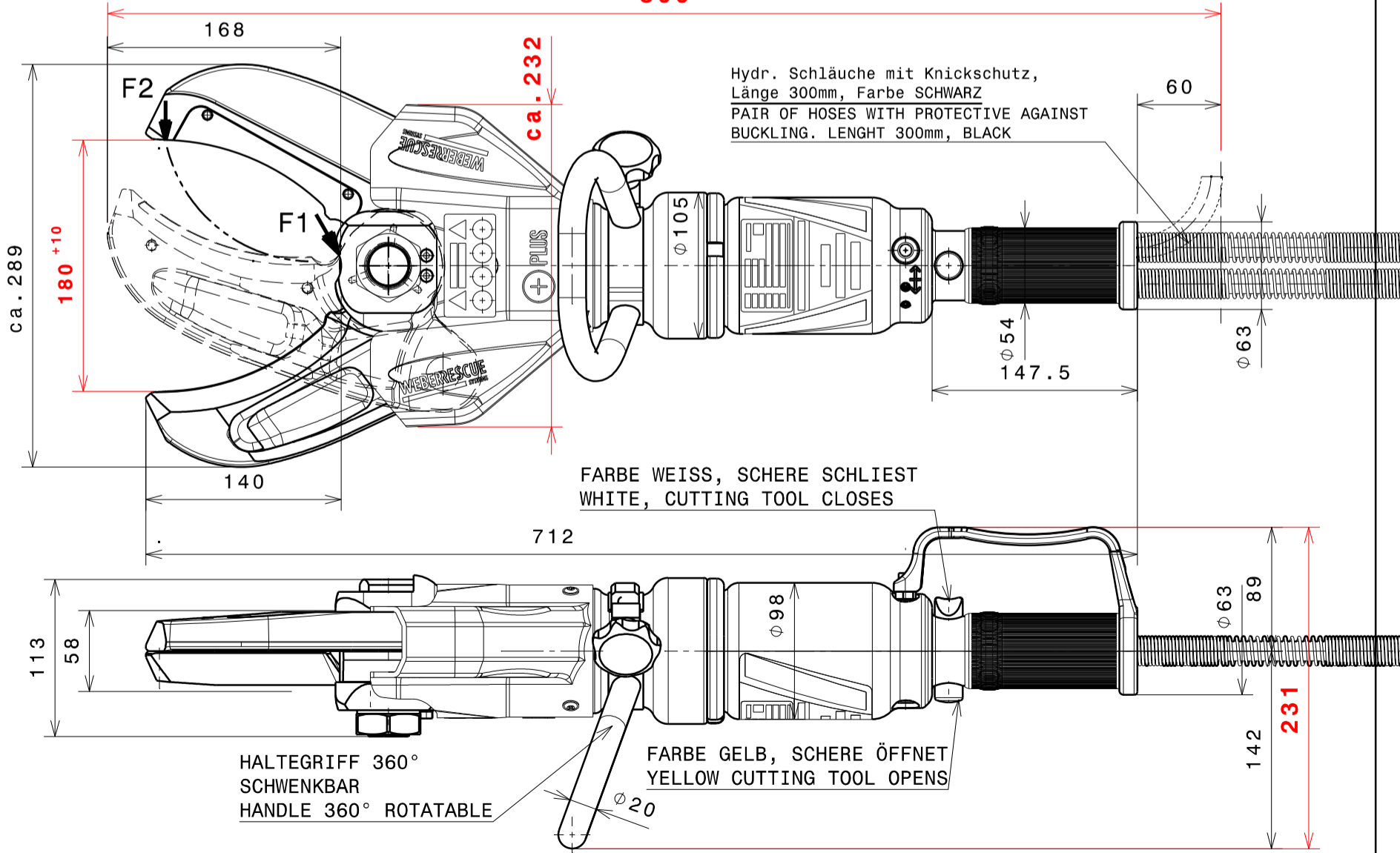
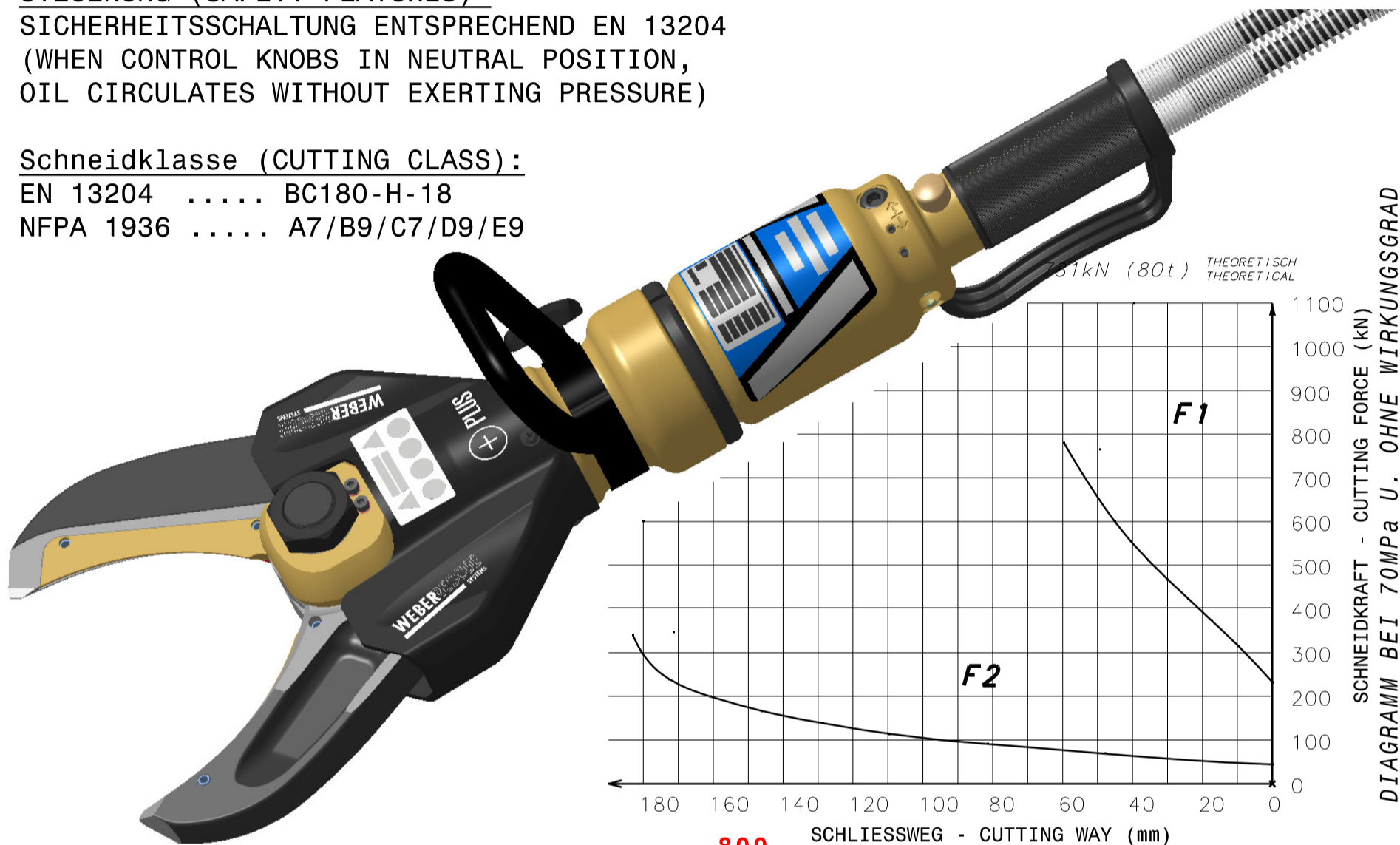
ÖLBEDARF (REQUIRED OIL VOLUME) ..... 0,1 l

### STEUERUNG (SAFETY FEATURES)

SICHERHEITSSCHALTUNG ENTSPRECHEND EN 13204  
 (WHEN CONTROL KNOBS IN NEUTRAL POSITION,  
 OIL CIRCULATES WITHOUT EXERTING PRESSURE)

### Schneidklasse (CUTTING CLASS):

EN 13204 ..... BC180-H-18  
 NFPA 1936 ..... A7/B9/C7/D9/E9



GEPR. JSC  
 CHECK.  
 GEZ. KST  
 DRAW.  
 DAT. 22.12.11  
 DAT.  
 KST  
 11.07.12  
 GEÄND. MODIF.  
 AEND.-DATUM  
 MOD.-DATE  
 120492  
 A  
 AEND.-NR.  
 MOD.-NO.  
 REVISION  
 REVISION

FREIMASSTOLERANZEN (GENERAL TOLERANCES)	LAENGENMASS (LENGHT)mm TOLERANZ (TOLERANCE)mm	...50	50...250	250...1000	1000...	WINKELMASS (ANGLE) TOLERANZ (TOLERANCE)	...180°
		±1,5	± 2,0	± 3,0	± 5,0		±10°