

# FIXMIX

## Around-the-pump foam proportioning system



### Description

---

The FIXMIX is an automatic around-the-pump foam proportioning system. It is specially designed for the N/NH series pump and can be fully integrated in these pumps.

Up to 3 proportioning rates are possible at this system. One proportioning rate on the high pressure side is possible with the HP-FIXMIX. Therefore it is possible to have water on the normal pressure side and a water-foam-mixture on the high pressure side at the same time.

It is mainly used for municipal trucks, as well as airport- and industrial trucks.

### Benefits

---

#### Adjusted to the N/NH series pump

- integrated into the pump

#### Easy system

- mechanical system, mounted directly on the pump
- easy to operate

#### Automatic system

- amount of foam concentrate adjusts automatically to the water flow - constant proportioning rate over the whole working range of the pump

#### Maintenance-free

- wear-free
- due to robust mechanics

#### High foam performance

- due to around-the-pump foam proportioning system, foam on all outlets of the N/NH series pump available

#### High foam concentrate suction performance

#### Minimum pressure loss

#### Different proportioning rates can be chosen

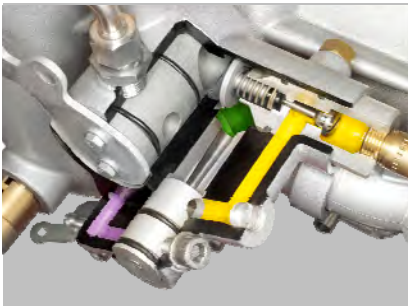
- It can be switched between 3 different proportioning rates during operation.

# FIXMIX

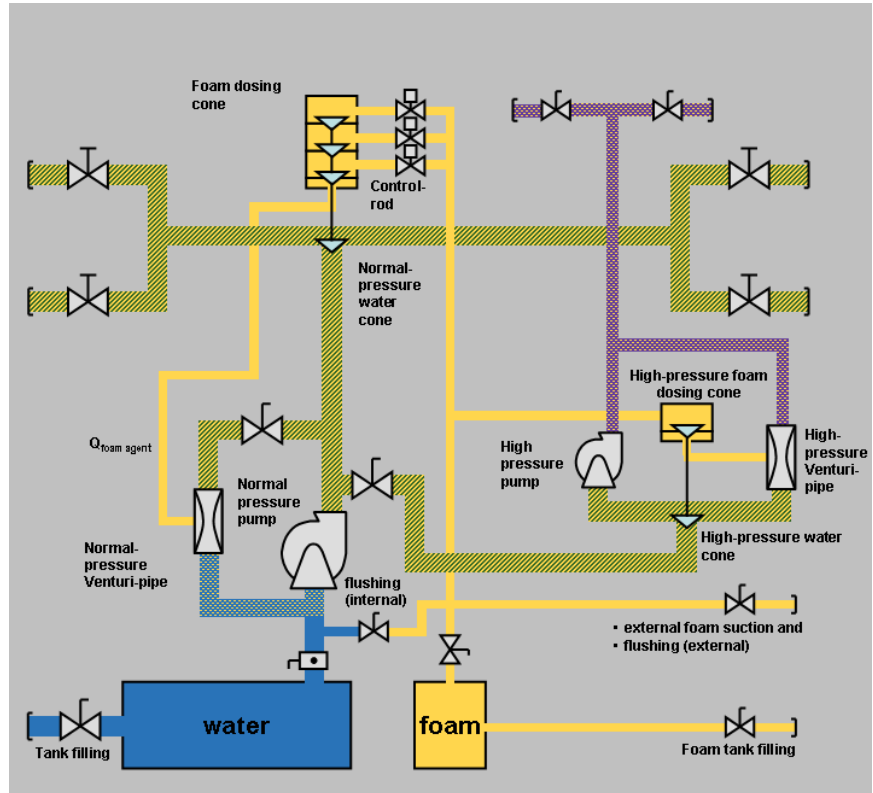
## Around-the-pump foam proportioning system



3 – stage normal pressure FIXMIX



HP - FIXMIX



Schemata for a NH pump with 3 stage FIXMIX and HP-FIXMIX

### Technical Data

<b>Design</b>	automatic around-the-pump foam proportioning system
<b>Flow range</b>	180 - 5.000 lpm (48 - 1.320 USgpm ) (normal pressure - depends on pump), 90 - 400 lpm (24 - 105 USgpm) (high pressure)
<b>Proportioning rates NP</b>	up to 3 rates to chose (choice of: 0,5; 1; 3; 6; 8%)
<b>Switch proportioning rates NP</b>	manual (1 proportioning rate) or pneumatic
<b>Proportioning rate HP</b>	1 rate (choice of: 0,5; 1; 3; 6; 8%)
<b>Flow measuring</b>	mechanical water cone
<b>Dosing</b>	fully automatic, mechanical controlled foam dosing cones
<b>Materials</b>	housing in pump material (light alloy or gunmetal), measuring cones in brass

NP: Normal pressure; HP: High pressure; FC: foam concentrate

### Contact

ROSENBAUER INTERNATIONAL AG  
 Paschinger Straße 90  
 4060 Leonding, Austria  
 Tel.: +43 732 6794-0  
 Fax: +43 732 6794-91

[www.rosenbauer.com](http://www.rosenbauer.com)

[www.facebook.com/rosenbauergroup](https://www.facebook.com/rosenbauergroup)

Text and illustrations are not binding. The illustrations may show optional extras only available at extra charge. Rosenbauer retains the right to alter specifications and dimensions given herein without prior notice.

KR3XX  
 2010-05\_RJu