

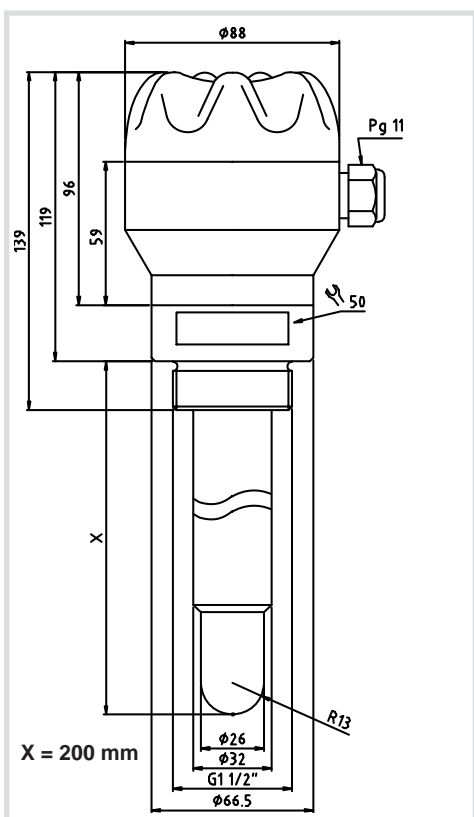


**Capacitive Sensors - Series 26**  
**Series 70 - NPN** **EasyTeach**  
**Series 80 - PNP**

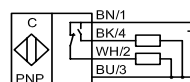
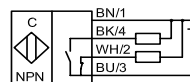
- Housing  $\varnothing = 26 \text{ mm} / 1\frac{1}{2}''$
- Housing material: PP / PBT
- Level sensor with EasyTeach function
- Clear text display
- Also suitable for food and pharmaceutical applications
- SIP / CIP 121° C
- Sensor length 200 mm. Other length on request up to 2000 mm maximum.

Certificate:

Technical data	Non-flush mountable
Operating distance $S_n$	5 mm
Operating distance min./max. adjustable	0...20 mm
Electrical version	4-pin DC
Output	Antivalent (NO + NC)
<b>Type NPN</b>	<b>KAS-70-26-A-200-PP-1½ "-PH-ET</b>
<b>Art.-No.</b>	<b>KA 0781</b>
<b>Type PNP</b>	<b>KAS-80-26-A-200-PP-1½ "-PH-ET</b>
<b>Art.-No.</b>	<b>KA 0780</b>
Operating voltage ( $U_B$ )	10...35 V DC
Output current max. ( $I_o$ )	2 x 250 mA
Voltage drop max. ( $U_d$ )	$\leq 2.0 \text{ V}$
Permitted residual ripple max.	10%
No-load current ( $I_o$ )	Typ. 10 mA
Frequency of operating cycles max.	2 Hz
Permitted ambient temperature	0...+70° C/ Sensor CIP 121° C (zero-current)
LCD-display	Reflective
Protective circuit	Built-in
Degree of protection IEC 60529 - Sensor	IP 68
Degree of protection IEC 60529 - Connection head	IP 65
Norm	EN 60947-5-2
Connection	Screw terminals 1,5 mm <sup>2</sup>
Housing material	PP ( FDA 21 CFR 177.1520)
Active surface	PP ( FDA 21 CFR 177.1520)
Connection head	PBT glasfibre reinforced



All specifications are subject to change without notice. (10.02.2009)



**Made in Germany**