



Capacitive Sensors



Series 80 - PNP

Housing M30 x 1.5

- Housing material: PTFE
- Useable for an ambient temperature up to +100°C
- Flush mountable
- Sensing distance 0.5...25 mm adjustable

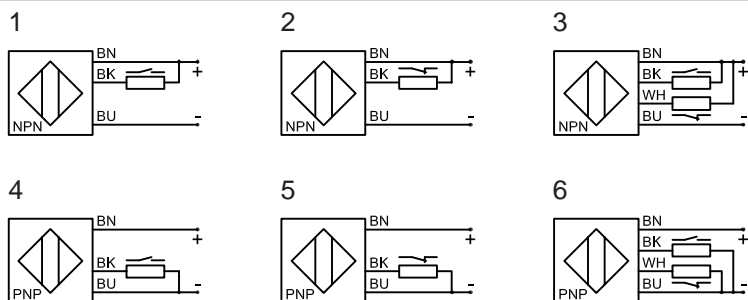
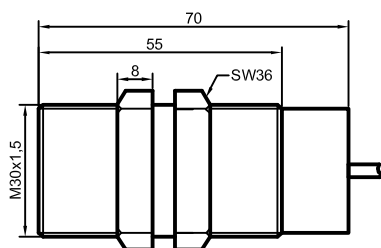
Certificate:



Technical data

Operating distance S_n [mm], flush mounting	10, yes
Operating distance min./max. [mm] adjustable	0.5...25
Electrical version	4-wire DC
Output	antivalent
Type NPN	
Art.-No.	
Connection diagram No.	

Type PNP	KAS-80-A14-A-K-PTFE-100°C
Art.-No.	KA 0049
Connection diagram No.	6
Operating voltage (U_B)	10...35 V DC
Output current max. (I_o)	2 x 250 mA
Load current min.	-
Voltage drop max. (U_d)	≤ 2.0 V
Permitted residual ripple max.	10 %
No-load current (I_o)	typ. 15 mA
Frequency of operating cycles max.	200 Hz
Permitted ambient temperature	-25...+100°C
LED-display	green/yellow
Protective circuit	built-in
Degree of protection IEC 529	IP 67
Connection cable	2 m 4 x 0.5 mm ²
Housing material	PTFE
Active surface	PTFE
Lid	PA



All specifications are subject to change without notice. (05/2004)