

# GLOBE HYDRANT VALVES

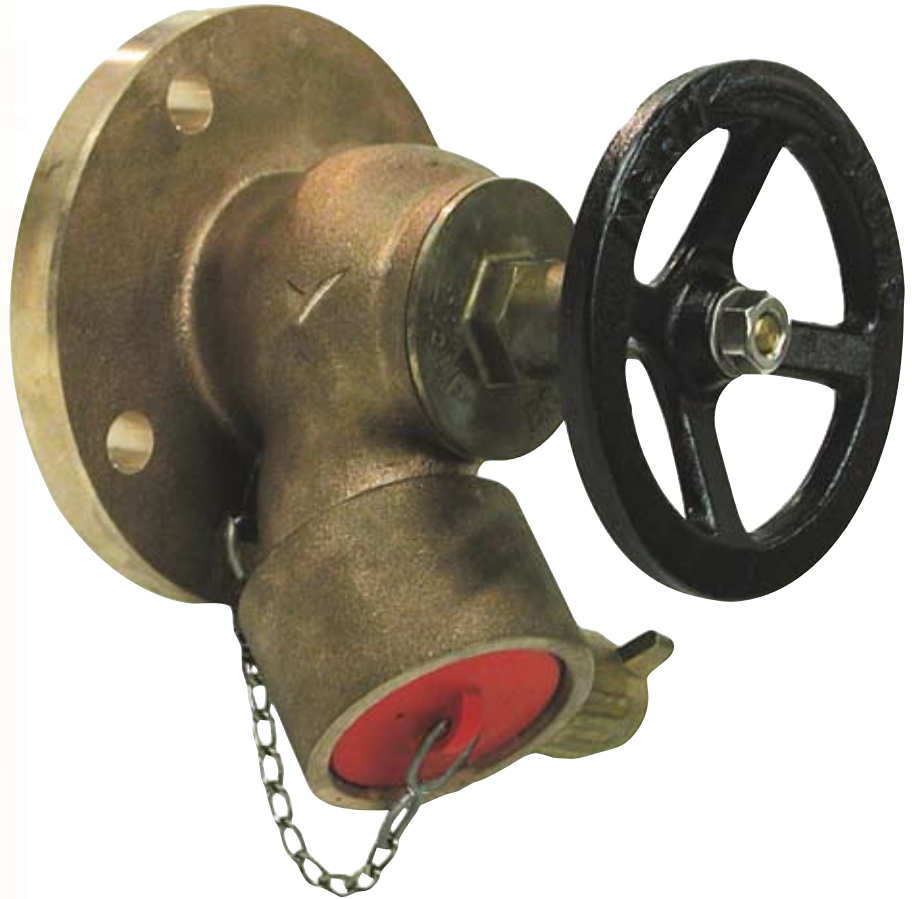
**BS 5041 PT 1**

**Horizontal**

**Right Angle**

**Oblique**

**Bib Nose**



- Dual Seat Type
- For Marine & On-shore Applications
- Inlet: Flanged or Threaded
- Outlet: 2½" Inst. Female
- Other International Outlets Available: Storz, NOR, JIS, N&S, NH etc



Full Range of International Hydrant Valves Available

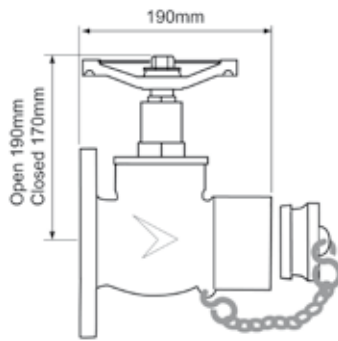
## GENERAL DESCRIPTION

Delta Fire hydrant valves are suitable for both offshore and onshore application. They are manufactured to BS 5154 and BS 5041 part 1.

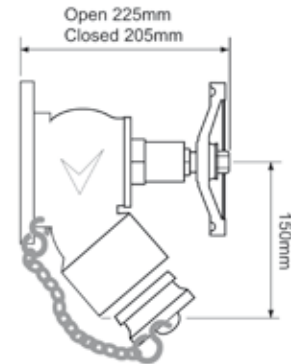
The valves are manufactured in corrosion resistant materials with an LG2 gunmetal body and are available with both British Instantaneous female outlet to BS 336 and a wide range of International outlets.

## FEATURES

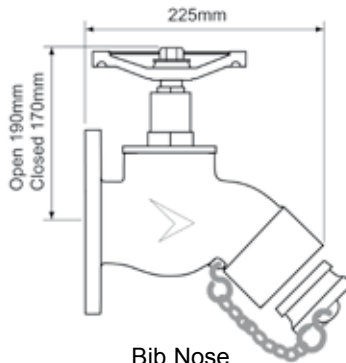
All Delta Fire hydrant valves are dual seat type. The primary valve seat is hard rubber with an additional secondary metal to metal seat.



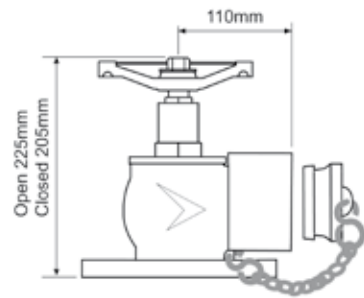
Horizontal



Oblique



Bib Nose



Right Angle

## TECHNICAL DATA

| Flanged Inlet | PN16<br>1½" | PN16<br>2" | PN16<br>2½" | TABLE<br>D/E<br>2½" | TABLE<br>D/E<br>3" | ANSI<br>2½" | ANSI<br>3" |
|---------------|-------------|------------|-------------|---------------------|--------------------|-------------|------------|
| Diameter (mm) | 150         | 165        | 185         | 165                 | 184                | 178         | 191        |
| PCD (mm)      | 110         | 125        | 145         | 127                 | 146                | 140         | 152        |

Also available with alternative flanged and BSP, NPT threaded inlets.

## WEIGHTS

| Valve Type<br>(Instantaneous) | Right<br>Angle | Horizontal | Oblique | Bib<br>Nose |
|-------------------------------|----------------|------------|---------|-------------|
| Weight: Flanged Inlet         | 9Kg            | 9Kg        | 9Kg     | 9Kg         |
| Threaded Inlet                | 8Kg            | 8Kg        | 8Kg     | 8Kg         |