

TANK COOLING NOZZLE



TECHNICAL DATA

MODEL	TC-15 in Brass IS319 / ASTM B16
	TC-15S in S.S. construction
MAXIMUM WORKING PRESSURE	12 Bar (175 PSI)
EFFECTIVE WORKING PRESSURE	1.4 to 3.5 Bar (20 - 50 PSI)
END CONNECTION	TC-15 & TC -15S with 1/2" NPT (BSPT optional)
K-FACTOR	K23, K30, K37, K45, K53 & K72
WEIGHT (Approx)	Model TC-15 - 0.180 Kg
FINISH	Chrome plated or Brass finish for TC-15 Natural finish for TC-15S
ORDERING INFORMATION	Specify Model, K factor and Finish



DESCRIPTION

The Tank Cooling Nozzle distributes water in a flat curtain.

Tank Cooling Nozzles are typically mounted in upright position at a distance away from the exterior wall of the tank for cooling of the tank. In case of a fire in the vicinity of the tank, these nozzles prevent the tank from absorbing the heat radiation from the fire.

Tank Cooling Nozzles are available in Brass and Stainless Steel construction with different k-factors.

The main pipeline strainers as per NFPA -15 are required for system utilizing nozzles with orifice diameter less than 9.5 mm (3/8 inch).

MAINTENANCE

The spray nozzle must be handled with due care. For best results, the storage as well as any further shipment be made in original packing only.

Nozzle which is visibly damaged should not be installed.

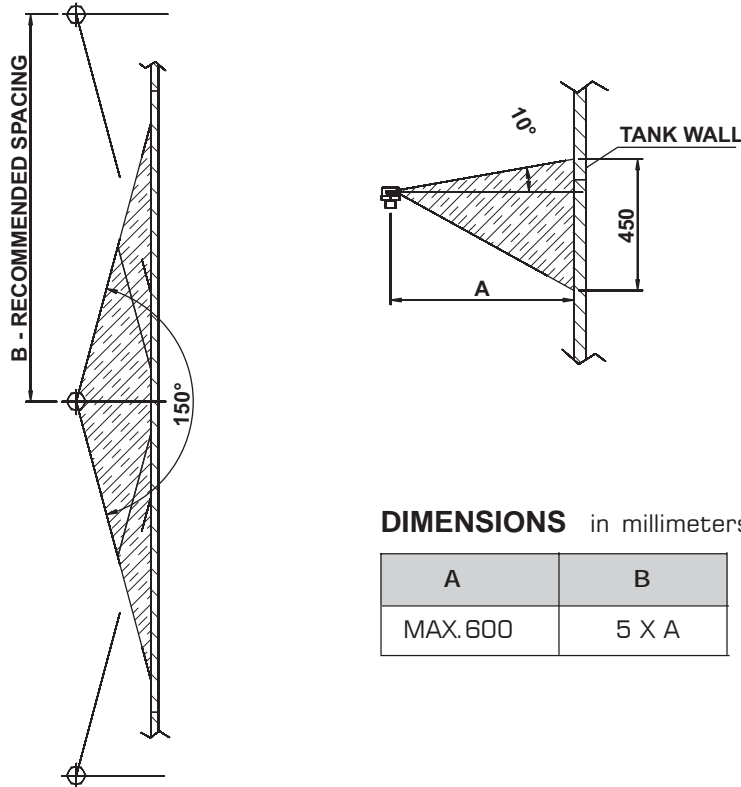
Use Teflon tape or soft thread sealant on male thread

of the nozzle. Excessive tightening torque may result into serious damage to nozzle arms and the deflector which may affect spray pattern of the nozzle and it's performance.

It is recommended that water spray system be inspected regularly by authorised technical personnel. The nozzle must be checked for atmospheric effects, external and internal obstruction, blockage if any. The nozzle should be cleaned or replaced if required. The system must be operated with optimum water flow at least twice in a year or as per the provisions of NFPA/TAC or local authority having jurisdiction.

The owner is solely responsible for maintaining the water spray system and the components therein so that it performs properly when required.

SPRAY PATTERN



DIMENSIONS in millimeters

A	B
MAX.600	5 X A

LIMITED WARRANTY

HD FIRE PROTECT PVT. LTD. hereby referred to as HD FIRE warrants to the original purchaser of the fire protection products manufactured by HD FIRE and to any other person to whom such equipment is transferred, that such products will be free from defect in material and workmanship under normal use and care, for two (2) years from the date of shipment by HD FIRE. Products or Components supplied or used by HD FIRE, but manufactured by others, are warranted only to the extent of the manufacturer's warranty. No warranty is given for product or components which have been subject to misuse, improper installation, corrosion, unauthorized repair, alteration or un-maintained. HD FIRE shall not be responsible for system design errors or improper installation or inaccurate or incomplete information supplied by buyer or buyer's representatives.

HD FIRE will repair or replace defective material free of charge, which is returned to our factory, transportation charge prepaid, provided after our inspection the material is found to have been defective at the time of initial shipment from our works. HD FIRE shall not be liable for any incidental or consequential loss, damage or expense arising directly or indirectly from the use of the product including damages for injury to person, damages to property and penalties resulting from any products and components manufactured by HD FIRE. HD FIRE shall not be liable for any damages or labour charges or expense in making repair or adjustment to the product. HD FIRE shall not be liable for any damages or charges sustained in the adaptation or use of its engineering data & services. In no event shall HD Fire's product liability exceed an amount equal to the sale price.

The foregoing warranty is exclusive and in lieu of all other warranties and representation whether expressed, implied, oral or written, including but not limited to, any implied warranties or merchantability or fitness for a particular purpose. All such other warranties and representations are hereby cancelled.

NOTICE :

The equipment presented in this bulletin is to be installed in accordance with the latest publication standards of NFPA or other similar organisations and also with the provision of government codes or ordinances wherever applicable.

The information provided by us are to the best of our knowledge and belief, and are general guidelines only. Site handling and installation control is beyond our reach. Hence we give no guarantee for result and take no liability for damages, loss or penalties whatsoever, resulting from our suggestion, information, recommendation or damages due to our product.

Product development is a continuous programme of HD FIRE PROTECT PVT. LTD. and hence the right to modify any specification without prior notice is reserved with the company.



**HD FIRE PROTECT
PVT. LTD.**

C-3/6, THE NANDANVAN IND. ESTATE, L.B.S. MARG, THANE 400 604., INDIA.

• PHONES : + (91) 22 2583 5434 • 2582 6958 • 2582 6793

• FAX : +(91) 22 2581 2524 • 6796 9049

• EMAIL : info@hdfire.com • WEBSITE : www.hdfire.com