

5808LST

WIRELESS SMOKE/HEAT DETECTOR



The powerful 5808LST is a combination wireless photoelectric smoke and heat detector that trips when temperatures reach 135° F. Ideal for difficult to wire locations, situations where room aesthetics are critical or where hazardous materials exist, the 5808LST provides the ultimate in installation flexibility.

Remarkably cost-effective, the attractive, low profile unit blends easily with any décor and provides benefits rarely found in smoke detectors in this price range. Smart Check™ remote maintenance reporting automatically alerts the central station when it is in need of service, and built-in drift compensation continuously corrects sensitivity variances caused by dust. The 5808LST is UL 268 listed for use in both commercial and residential applications.

FEATURES

- Low profile housing
- Extended battery life - Two 3V Lithium
- Automatic drift compensation
- Smart Check™ - pre-alarm maintenance signal
- Test/alarm silence button - Immediate signal 2.5 sec delay horn activation
- Field replaceable chamber
- Heat Detector - dual 135° thermistors
- Low temperature alert signal
- Temporal Code 3 sounder
- Pre-Low battery signal to central station (if applicable) seven days prior to horn chirp
- UL 268 - Commercial and Residential

SPECIFICATIONS

Electrical

- Two-volt CR123A lithium batteries (included). Replace with Duracell® DL123A, Sanyo® CR123A, Panasonic® CR123A, ADEMCO 466, or Varta CR123
- Cold sensitivity: less than 6% per foot
- 2.5 inches (14 cm)
- 5.5 inches (64 mm)
- 0.7 lb. (310 g)
- 4.4° to 37.8°C (40° to 100°F)
- 5% to 95% relative humidity
- 135°F fixed temperature electronic thermistors
- 45°F fixed temperature electronic thermistors

Agency listings

- UL 268 - commercial and residential installations

5808LST

WIRELESS SMOKE/HEAT DETECTOR

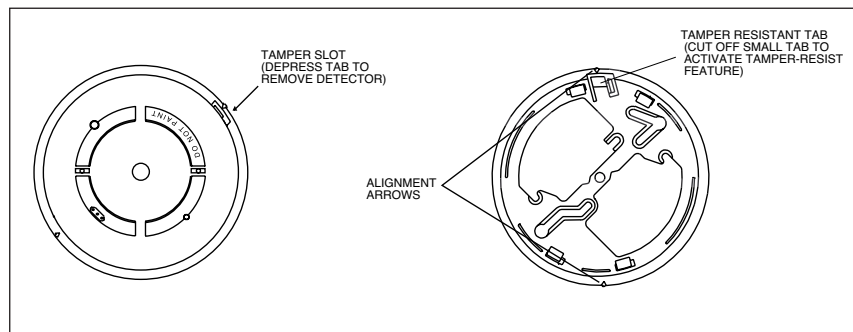
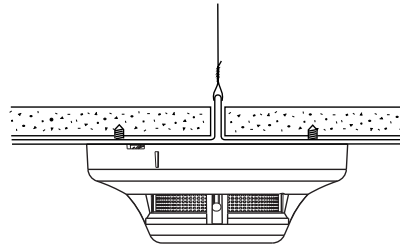
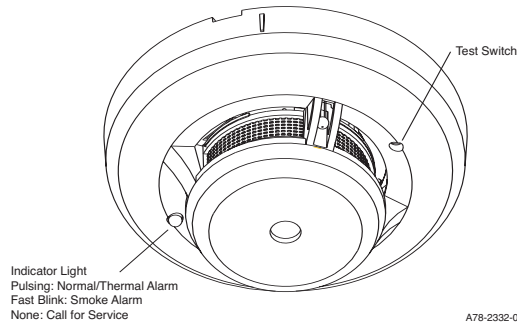
SPECIFICATIONS

Mounting Instructions

First, determine the best location for the smoke detector — that provides strong wireless transmission paths and proper smoke detection. A good transmission path must be established from the proposed mounting location before permanently installing the detector.

To mount the detector:

1. Install the mounting bracket on the ceiling or on the wall (if local ordinances permit). Use the two screws and anchors provided.
2. Prior to mounting the detector to the mounting bracket, the system must “enroll” the detector’s ID.
3. Turn the detector in a clockwise direction in the mounting bracket until it clicks into place.
4. Test the detector immediately after completing the installation and refer to the control system’s instructions for additional information concerning the use of wireless smoke detectors.



ORDERING

5808LST Smoke/Heat Detector with Sounder

Honeywell Security & Custom Electronics
Honeywell International Inc.
PO Box 9035
Syosset, NY 11791
www.honeywell.com

RE06046
L/5808LST/D
September 2006
© 2006 Honeywell International Inc.

Honeywell