

AMERICAN AVK RESILIENT SEATED GATE VALVE
250 PSI, Tested to AWWA C509 (NRS) for Indicator Post
ANSI B16.1 Class 125 Flanged x Flanged Ends - Valve Sizes 4" - 12"

25/40X
FLxFL PIV

Use:
 For water and neutral liquids to maximum 160°F.

Tests:
 Hydraulic test to AWWA C509:
 Shell Test: 500 PSI
 Seat Test: 250 PSI
 Operating Torque Test




Optional Materials:

Bonnet Bolts	Option a): Stainless Steel - 304 or 316 sealed with hot melt
Gland Bolts	Option a): Stainless Steel - 304 or 316 Hexagon bolt

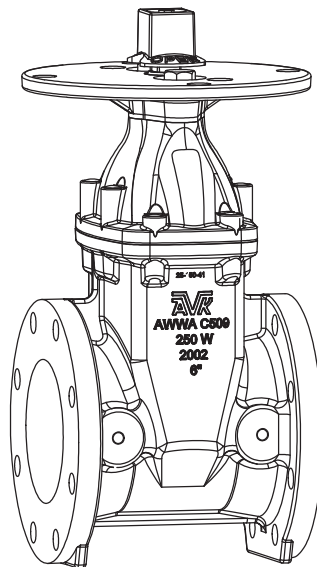
Standard Materials:

Body, Bonnet, Post Indicator Plate Coating	Cast iron ASTM A126 class B Ductile iron ASTM A536 Electrostatically applied fusion-bonded epoxy-resin Meets or exceeds AWWA C550
Wrench Nut	Ductile iron ASTM A536 - painted black for open left, red for open right.
Stem	Standard: Low Zinc Bronze, ASTM A763
Wedge	Ductile iron ASTM A536 encapsulated with EPDM-rubber compound
Wedge Nut	Bronze
Bonnet Bolts	ASTM A164 zinc coated steel sealed with hot melt
Gland Bolts Hexagon bolt	ASTM A164 zinc coated steel
Anti-Friction Washers	Nylon
Bonnet Gasket Wiper Ring, O-Ring Stem Seals, O-Ring Gland Seal	ASTM D2000 Buna "N" nitrile rubber

Approvals:

*UL/ULC Listed,
 *FM Approved
 NSF-61 (audited by UL)
 * Approved at 200 PSI working pressure



American AVK Company
 an ISO 9001 registered company

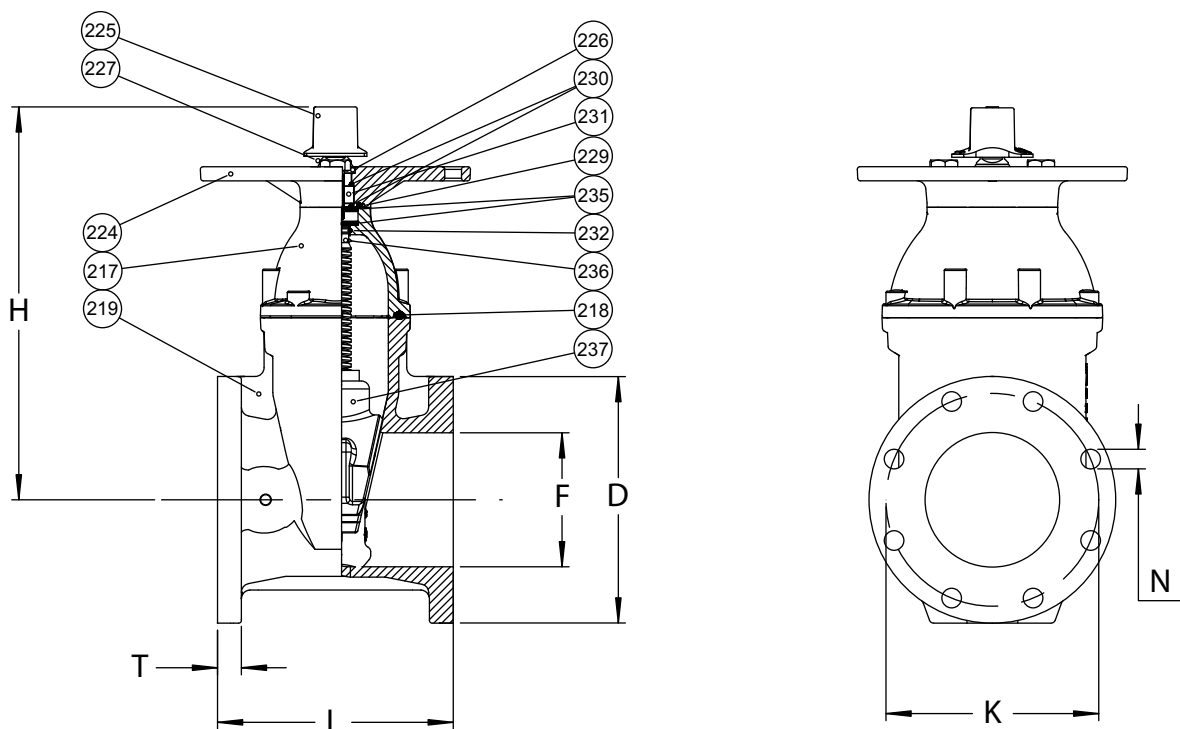
DS S2540X FLFL PIV
 Subject to change without notice. (rev. 03/10)

AMERICAN AVK RESILIENT SEATED GATE VALVE
250 PSI, Tested to AWWA C509 (NRS) for Indicator Post
ANSI B16.1 Class 125 Flanged x Flanged Ends - Valve Sizes 4" - 12"

25/40X
FLxFL PIV

Component List:

217. Bonnet	226. Wiper Ring	232. Lower Stem Seal O-Ring
218. Bonnet Gasket	227. Gland Flange Bolt	235. Anti-Friction Washer
219. Body	229. Gland O-Ring	236. Low Zinc NRS STEM
224. Post Indicator Plate	230. Upper Stem Seal O-Rings	237. Wedge
225. Wrench Nut	231. Stem Seal Bushing	



Ref No.	Size	D	F	H	K	L	N	T	Flange Holes	Turns to Open	Wt. Lbs.
25-100-40X	4"	9.00"	4.00"	13.50"	7.50"	9.00"	0.75"	1.00"	8	14	90
25-150-40X	6"	11.00"	6.00"	17.50"	9.50"	10.50"	0.88"	1.06"	8	21	137
25-200-40X	8"	13.50"	8.00"	21.50"	11.75"	11.50"	0.88"	1.14"	8	26	207
25-250-40X	10"	16.00"	10.00"	24.75"	14.25"	13.00"	1.00"	1.22"	12	32	310
25-300-40X	12"	19.00"	12.00"	27.63"	17.00"	14.00"	1.00"	1.30"	12	38	454

