

**AMERICAN AVK RESILIENT SEATED GATE VALVE**  
**250 PSI, Tested to AWWA C509 (NRS)**  
**Mechanical Joint End by Flanged Ends - Valve Sizes 4" - 12"**

**25/3X**  
**MJxFL**

**Use:**

For water and neutral liquids to maximum 160°F.

**Tests:**

Hydraulic test to AWWA C509:

Shell Test: 500 PSI

Seat Test: 250 PSI

Operating Torque Test

**Optional Materials:**

|                       |   |
|-----------------------|---|
| Stem                  | Option a): For UL, FM, ULC<br>Low zinc bronze<br>ASTM B763                        |
| Anti Friction Washers | Polyamide   |
| Bonnet Bolts          | Option a): For UL, FM, ULC<br>ASTM A164 zinc coated<br>steel sealed with hot melt |
|                       | Option b): Stainless Steel - 316<br>sealed with hot melt                          |
| Gland Bolts           | Option a): For UL, FM, ULC<br>ASTM A164 zinc coated<br>steel Hexagon bolt         |
|                       | Option b): Stainless Steel - 316<br>Hexagon bolt                                  |

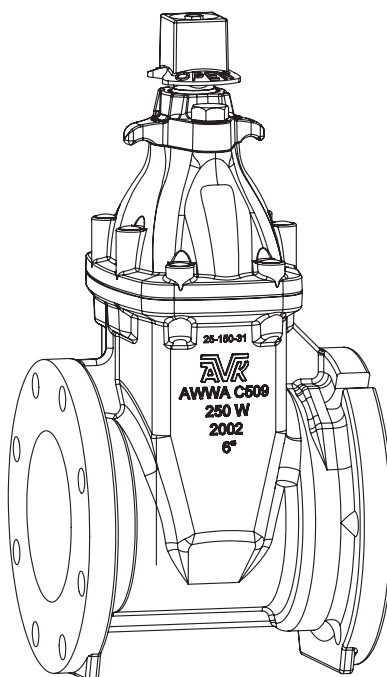
**Standard Materials:**

|   |  |
|---|--|
| Body, Bonnet,<br>Gland Flange<br>Coating                                | Cast iron ASTM A126 class B<br>Ductile iron ASTM A536<br>Electrostatically applied fusion-<br>bonded epoxy-resin<br>Meets or exceeds AWWA C550 |
| Wrench Nut  | Ductile iron ASTM A536<br>- painted black for open left,<br>red for open right.  |
| Stem  | Standard: Stainless Steel,<br>ASTM A582  |
| Wedge   | Ductile iron ASTM A536<br>encapsulated with EPDM-rubber<br>compound  |
| Wedge Nut, Thrust Collar  | Bronze   |
| Bonnet Bolts  | Stainless Steel - 304<br>sealed with hot melt  |
| Gland Bolts<br>Hexagon bolt   | Stainless Steel - 304  |
| Bonnet Gasket<br>Wiper Ring,<br>O-Ring Stem Seals,<br>O-Ring Gland Seal | ASTM D2000 Buna "N" nitrile<br>rubber  |

**Approvals:**



\*UL/ULC Listed,  
 \*FM Approved  
 NSF-61 (audited by UL)  
 \* Approved at 200 PSI working pressure



American AVK Company  
 an ISO 9001 registered company

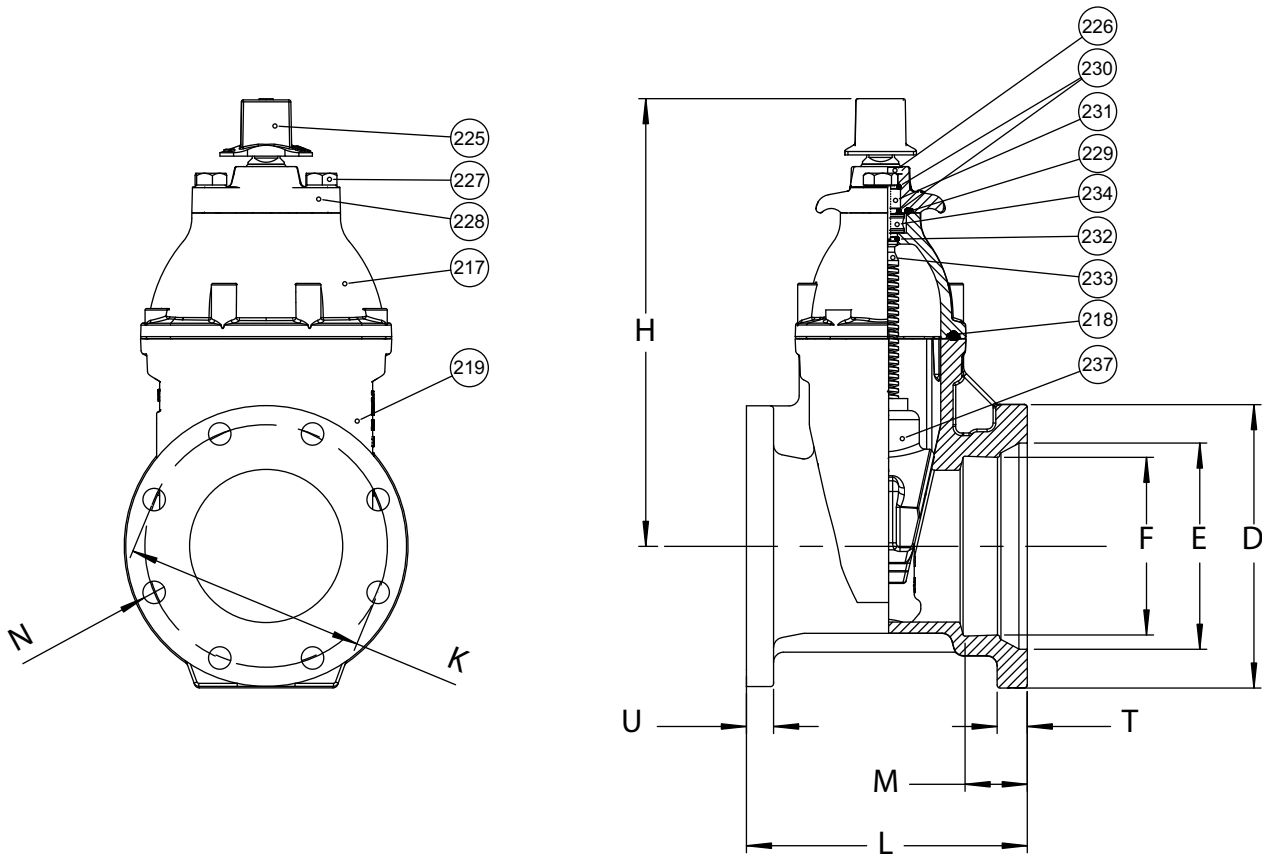
DS S253X MJFL  
 Subject to change without notice. (rev. 03/10)

**AMERICAN AVK RESILIENT SEATED GATE VALVE**  
**250 PSI, Tested to AWWA C509 (NRS)**  
**Mechanical Joint by Flanged Valve - Valve Sizes 4" - 12"**

**25/3X**  
**MJxFL**

**Component List:**

|                    |                              |                             |
|--------------------|------------------------------|-----------------------------|
| 217. Bonnet        | 227. Gland Flange Bolt       | 232. Lower Stem Seal O-Ring |
| 218. Bonnet Gasket | 228. Gland Flange            | 233. NRS Stem               |
| 219. Body          | 229. Gland O-Ring            | 234. Thrust Collar          |
| 225. Wrench Nut    | 230. Upper Stem Seal O-Rings | 237. Wedge                  |
| 226. Wiper Ring    | 231. Stem Seal Bushing       |                             |



| Ref No.   | Size | D      | E      | F      | K      | H      | L      | M     | N     | T     | U     | Flange Holes | Turns to Open | Wt. Lbs. |
|-----------|------|--------|--------|--------|--------|--------|--------|-------|-------|-------|-------|--------------|---------------|----------|
| 25-100-3X | 4"   | 9.12"  | 6.02"  | 4.90"  | 7.50"  | 13.50" | 9.50"  | 2.50" | 0.75" | 1.00" | 1.00" | 8            | 14            | 64       |
| 25-150-3X | 6"   | 11.12" | 8.12"  | 7.00"  | 9.50"  | 17.50" | 10.50" | 2.50" | 0.88" | 1.18" | 1.06" | 8            | 21            | 103      |
| 25-200-3X | 8"   | 13.37" | 10.27" | 9.15"  | 11.75" | 21.50" | 11.50" | 2.50" | 0.88" | 1.24" | 1.14" | 8            | 26            | 158      |
| 25-250-3X | 10"  | 15.69" | 12.34" | 11.20" | 14.25" | 24.75" | 13.00" | 2.50" | 1.00" | 1.14" | 1.22" | 12           | 32            | 245      |
| 25-300-3X | 12"  | 17.88" | 14.44" | 13.29" | 17.00" | 27.63" | 14.00" | 2.50" | 1.00" | 1.22" | 1.30" | 12           | 38            | 340      |

