



## TECHNICAL DATA

**QUICK RESPONSE  
EXTENDED COVERAGE  
CONCEALED HSW  
SPRINKLER VK630 (K8.0)**

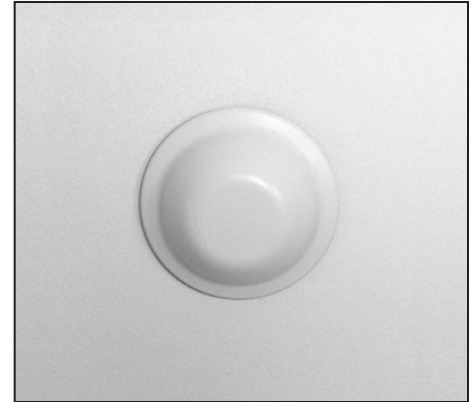
The Viking Corporation, 210 N Industrial Park Drive, Hastings MI 49058

Telephone: 269-945-9501 Technical Services: 877-384-5464 Fax: 269-818-1680 Email: techsvcs@vikingcorp.com

### 1. DESCRIPTION

Viking Quick Response Extended Coverage Concealed Horizontal Sidewall Sprinkler VK630 is a thermosensitive spray sprinkler pre-assembled with a threaded adapter for installation with a domed cover. The glass bulb operating element and special deflector characteristics meet the challenges of quick response extended coverage standards.

The cover plate provides up to 1/4" (6.35 mm) of horizontal adjustment and is available with several decorative finishes to meet design requirements. The two-piece design allows installation and testing of the sprinkler prior to installation of the cover plate. The "push-on", "thread-off" design of the concealed cover plate assembly allows easy installation of the cover plate after the system has been tested and the finish work has been completed. The cover assembly can be removed and reinstalled, allowing access behind the surface of the wall without taking the sprinkler system out of service or removing the sprinkler.



For Light Hazard Occupancies Only

### 2. LISTINGS AND APPROVALS

**cULus Listed:** Category VNIV

**NYC Approval:** MEA 89-92-E, Volume 32

Refer to the Approval Chart on page 87j and Design Criteria on page 87k for cULus Listing requirements that must be followed.

### 3. TECHNICAL DATA

#### Specifications:

Minimum Operating Pressure: 7 psi (0.5 bar)

Maximum Working Pressure: 175 psi (12 Bar). Factory tested hydrostatically to 500 psi (34.5 bar).

Testing: U.S.A. Patent No. 4,831,870

Thread size: 3/4" (20 mm) NPT

Nominal K-Factor: 8.0 U.S. (115.2 metric†)

†Metric K-factor measurement is in Bar. When pressure is measured in kPa, divide the metric K-factor shown by 10.0.

Glass-bulb fluid temperature rated to -65 °F (-55 °C)

Overall Length (Sprinkler Body): 2-9/16" (65 mm)

Patented

#### Material Standards:

Sprinkler Frame: Brass UNS-C84400

Deflector: Phosphor Bronze UNS-C51000

Bulb: Glass, nominal 3 mm diameter

Pip Cap and Insert Assembly: Copper UNS-C11000 and Stainless Steel UNS-S30400

Compression Screws: 18-8 Stainless Steel

Belleville Spring Sealing Assembly: Nickel Alloy, coated on both sides with Teflon Tape

Yoke: Phosphor Bronze UNS-C51000

Ejector Spring: 17-7 Stainless Steel

Cover Adapter: Cold Rolled Steel UNS-G10080, Finish: Clear Chromate over Zinc Plating

#### Cover Assembly Materials:

Cover: Copper UNS-C11000

Base: Brass UNS-C26000 or UNS-C26800

Springs: Nickel Alloy

Solder: Eutectic

**Ordering Information:** (Also refer to the current Viking price list.)

Viking Quick Response Extended Coverage Concealed HSW Sprinkler VK630 and Cover Plate Assembly must be ordered separately:

**Sprinkler:** Base Part No. 13500A-X ((includes sprinkler and adapter pre-assembled, with a protective plastic cap covering the unit).

**Specify** sprinkler temperature rating by adding the appropriate suffix for the temperature rating to the base part number:

Temperature Suffix (°F/°C): 135°/57° = A, 175°/79° = D

Viking Technical Data may be found on  
The Viking Corporation's Web site at  
<http://www.vikinggroupinc.com>.  
The Web site may include a more recent  
edition of this Technical Data Page.

	<b>TECHNICAL DATA</b>	<b>QUICK RESPONSE EXTENDED COVERAGE CONCEALED HSW SPRINKLER VK630 (K8.0)</b>
---	-----------------------	--

**The Viking Corporation, 210 N Industrial Park Drive, Hastings MI 49058**

**Telephone: 269-945-9501 Technical Services: 877-384-5464 Fax: 269-818-1680 Email: techsvcs@vikingcorp.com**

For example, sprinkler VK630 with a 175°F/79°C temperature rating = 13500ADX.

Note: When ordering this sprinkler using the SIN, add suffix -D. For example, concealed sprinkler VK630 = VK630-D.

**Cover Plate Assembly:** Base Part No. 13501

Specify finish and temperature rating of the cover plate assembly by adding the appropriate suffixes for the finish and the cover temperature rating to the base part number:

Finish Suffix: Polished Chrome = F, Painted White = M-/W, Painted Ivory = M-/I, Painted Black = M-/B

Temperature Suffix (°F/°C): 135°/57° = A (for use with 135°/57° rated sprinklers only), 165°/74° = C (for use with 175°/79° rated sprinklers)

For example, cover 13501 with a Polished Chrome finish and a 165°F/74°C temperature rating = 13501FC.

**Available Finishes And Temperature Ratings:** Refer to Table 1.

**Accessories:** (Also refer to the “Sprinkler Accessories” section of the Viking data book.)

**Sprinkler Wrench:** Part No. 13655W/B\* (available since 2006)

\*Requires a ½” ratchet (not available from Viking).

**Sprinkler Cabinet:** Part No. 01731A (available since 1971)

**4. INSTALLATION**

Refer to appropriate NFPA Installation Standards.

**5. OPERATION**

During fire conditions, when the temperature around the sprinkler approaches its operating temperature, the cover plate detaches. Continued heating of the exposed sprinkler causes the heat-sensitive liquid in the glass bulb to expand and the bulb to shatter, releasing the yoke, pip cap, and sealing spring assembly. Water flowing through the sprinkler orifice strikes the sprinkler deflector, forming a uniform spray pattern to extinguish or control the fire.

**6. INSPECTIONS, TESTS AND MAINTENANCE**

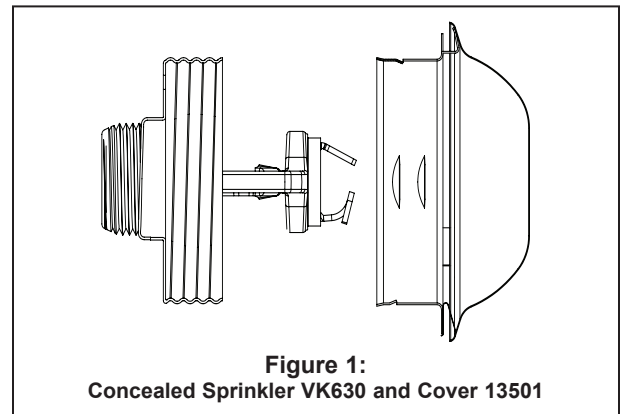
Refer to NFPA 25 for Inspection, Testing and Maintenance requirements.

**7. AVAILABILITY**

The Viking Model VK630 Sprinkler is available through a network of domestic and international distributors. See The Viking Corporation web site for the closest distributor or contact The Viking Corporation.

**8. GUARANTEE**

For details of warranty, refer to Viking’s current list price schedule or contact Viking directly.



**Figure 1:**  
Concealed Sprinkler VK630 and Cover 13501

**TABLE 1: AVAILABLE SPRINKLER TEMPERATURE RATINGS AND FINISHES**

Sprinkler Temperature Classification	Sprinkler Nominal Temperature Rating <sup>1</sup>	Maximum Ambient Ceiling Temperature <sup>2</sup>	Bulb Color
Ordinary	135°F (57°C)	100°F (38°C)	Orange
Intermediate	175°F (79°C)	150°F (65°C)	Yellow

**Cover Plate Finishes:** Polished Chrome, Painted White, Painted Ivory, or Painted Black

**Footnotes**

<sup>1</sup> The sprinkler temperature rating is stamped on the deflector.

<sup>2</sup> Based on NFPA-13. Other limits may apply, depending on fire loading, sprinkler location, and other requirements of the Authority Having Jurisdiction. Refer to specific installation standards.

	<b>TECHNICAL DATA</b>	<b>QUICK RESPONSE EXTENDED COVERAGE CONCEALED HSW SPRINKLER VK630 (K8.0)</b>
---	-----------------------	--

The Viking Corporation, 210 N Industrial Park Drive, Hastings MI 49058  
 Telephone: 269-945-9501 Technical Services: 877-384-5464 Fax: 269-818-1680 Email: techsvcs@vikingcorp.com

Sprinkler Base Part Number <sup>1</sup>	NPT Thread Size		Nominal K-Factor		Maximum Water Working Pressure	Overall Length (Sprinkler Body)	
	Inches	mm	U.S.	metric <sup>2</sup>		Inches	mm
13500A-X	3/4	20	8.0	115.2	175 psi (12 Bar)	2-9/16	65

<b>Approval Chart</b> Quick Response EC Concealed HSW Sprinkler VK630 For Light Hazard Occupancies Only. For installation below smooth, flat, horizontal ceilings only.	<table border="1" style="font-size: small;"> <tr> <td style="text-align: center;">—</td> <td>Sprinkler Temperature Rating</td> </tr> <tr> <td style="text-align: center;">—</td> <td>Cover Plate Temperature Rating</td> </tr> <tr> <td style="text-align: center;">AW1</td> <td>Cover Plate Finish KEY</td> </tr> </table>	—	Sprinkler Temperature Rating	—	Cover Plate Temperature Rating	AW1	Cover Plate Finish KEY
—	Sprinkler Temperature Rating						
—	Cover Plate Temperature Rating						
AW1	Cover Plate Finish KEY						

Maximum Areas of Coverage <sup>4</sup> (Width x Throw)	Minimum Water Supply Requirements <sup>4</sup>	Deflector-to-Ceiling Distance	Listings and Approvals <sup>3</sup>		
			cULus <sup>5</sup>	FM	NYC <sup>6</sup>
14' x 24' (4.3 m x 7.3 m)	34 gpm @ 18.1 psi (128.7 L/min @ 1.24 Bar)	4 to 6" (102 to 152 mm)	AX1	--	AX1
14' x 24' (4.3 m x 7.3 m)	36 gpm @ 20.3 psi (136.3 L/min @ 1.4 Bar)	6 to 12" (152 to 305 mm)	AX1	--	AX1
14' x 26' (4.3 m x 7.9 m)	39 gpm @ 23.8 psi (147.6 L/min @ 1.64 Bar)	4 to 6" (102 to 152 mm)	AX1	--	AX1
14' x 26' (4.3 m x 7.9 m)	46 gpm @ 33.1 psi (174.1 L/min @ 2.28 Bar)	6 to 12" (152 to 305 mm)	AX1	--	AX1
16' x 16' (4.9 m x 4.9 m)	26 gpm @ 10.6 psi (98.4 L/min @ 0.73 Bar)	4 to 12" (102 to 305 mm)	AX1, BY1	--	AX1, BY1
16' x 18' (4.9 m x 5.5 m)	29 gpm @ 13.1 psi (109.8 L/min @ 0.91 Bar)	4 to 12" (102 to 305 mm)	AX1, BY1	--	AX1, BY1
16' x 20' (4.9 m x 6.2 m)	32 gpm @ 16.0 psi (121.1 L/min @ 1.1 Bar)	4 to 12" (102 to 305 mm)	AX1, BY1	--	AX1, BY1
16' x 22' (4.9 m x 6.7 m)	36 gpm @ 20.3 psi (136.3 L/min @ 1.4 Bar)	4 to 12" (102 to 305 mm)	AX1	--	AX1
16' x 24' (4.9 m x 7.3 m)	39 gpm @ 23.8 psi (147.6 L/min @ 1.64 Bar)	4 to 12" (102 to 305 mm)	AX1	--	AX1
18' x 18' (5.5 m x 5.5 m)	33 gpm @ 17.0 psi (124.9 L/min @ 1.2 Bar)	4 to 12" (102 to 305 mm)	AX1	--	AX1
18' x 20' (5.5 m x 6.2 m)	36 gpm @ 20.3 psi (136.3 L/min @ 1.4 Bar)	4 to 12" (102 to 305 mm)	AX1	--	AX1
18' x 22' (5.5 m x 6.7 m)	40 gpm @ 25.0 psi (151.4 L/min @ 1.73 Bar)	4 to 12" (102 to 305 mm)	AX1	-	AX1

<b>Sprinkler Temperature Ratings</b> A - 135°F (57°C) B - 175°F (79°C)	<b>Cover Assembly Temperature Ratings</b> X - 135°F (57°C) cover 13501 <sup>1</sup> Y - 165°F (74°C) cover 13501 <sup>1</sup>	<b>Cover Plate Finishes</b> 1 - Polished Chrome, Painted White <sup>7</sup> , Painted Ivory <sup>7</sup> , or Painted Black <sup>7</sup>
--	---	---

**Footnotes**

- <sup>1</sup> Part number shown is the base part number. For complete part number, refer to current Viking price list schedule.
  - <sup>2</sup> Metric K-factor measurement shown is when pressure is measured in Bar. When pressure is measured in kPa, divide the metric K-factor shown by 10.0.
  - <sup>3</sup> This chart shows the listings and approvals available at the time of printing. Other approvals may be in process. Check with the manufacturer for any additional approvals.
  - <sup>4</sup> For areas of coverage smaller than shown, use the "Minimum Water Supply Requirement" for the next larger area listed. Flows and pressures listed are per sprinkler.
  - <sup>5</sup> Listed by Underwriter's Laboratories, Inc. for use in the U.S. and Canada. cULus Listings are limited to Light Hazard occupancies with smooth, flat, horizontal ceilings only. Always install horizontal sidewall sprinklers with the top of the deflector parallel with the ceiling. Refer to Figure 3 on page 87 I.
  - <sup>6</sup> Accepted for use, City of New York Department of Buildings, MEA Number 89-92-E, Vol. 32.
  - <sup>7</sup> Painted finish consists of Polyester Baked Enamel. Other paint colors are available on request with the same listings as the standard paint colors. Listings and approvals apply for any paint manufacturer. Contact Viking for additional information.
- NOTE: Custom colors are indicated on a label inside the cover assembly. Refer to Figure 4.

# VIKING

## TECHNICAL DATA

**QUICK RESPONSE  
EXTENDED COVERAGE  
CONCEALED HSW  
SPRINKLER VK630 (K8.0)**

The Viking Corporation, 210 N Industrial Park Drive, Hastings MI 49058

Telephone: 269-945-9501 Technical Services: 877-384-5464 Fax: 269-818-1680 Email: techsvcs@vikingcorp.com

### DESIGN CRITERIA

(Also refer to the Approval Chart on page 87j.)

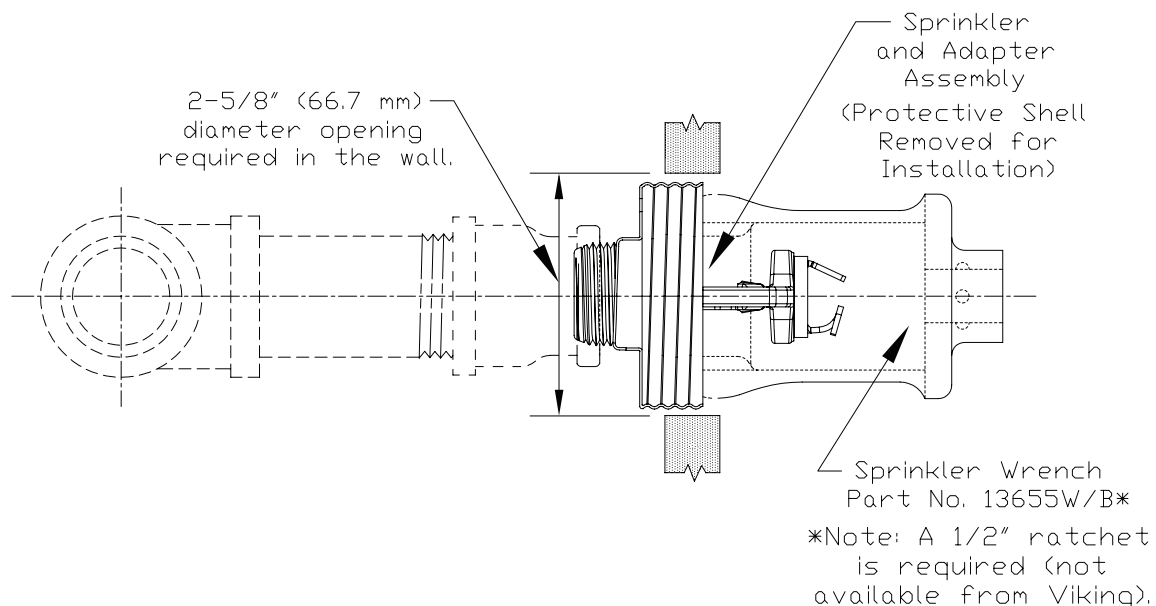
#### cULus Listing Requirements:

Quick Response Extended Coverage Concealed HSW Sprinkler VK630 is cULus Listed for installation in accordance with the latest edition of NFPA 13 for extended coverage sidewall spray sprinklers:

- Limited to Light Hazard occupancies with smooth, flat, horizontal ceilings only.
- Minimum spacing: Do not locate within the maximum protection area of any other sprinkler.
- Install with the leading edge of the deflector and sprinkler frame arms oriented parallel to the ceiling (see Figure 3). **THE TOP SURFACE OF THE DEFLECTOR IS MARKED "TOP"**. The sprinkler must be oriented as shown in Figure 3.
- Minimum distance from end walls is 4 in. (102 mm).
- Maximum distance from the end wall shall be no more than one-half of the allowable distance between sprinklers. The distance shall be measured perpendicular to the wall.
- The sprinkler installation and obstruction rules contained in NFPA 13 for extended coverage sidewall spray sprinklers must be followed.

**NOTE: Concealed sprinklers must be installed in neutral or negative pressure plenums only.**

**IMPORTANT: Always refer to Bulletin Form No. F\_091699 - Care and Handling of Sprinklers. Also refer to pages EC1-3 for general care, installation, and maintenance information. Viking sprinklers are to be installed in accordance with the latest edition of Viking technical data, the appropriate standards of NFPA, FM Global, LPCB, APSAD, VdS or other similar organizations, and also with the provisions of governmental codes, ordinances, and standards, whenever applicable.**



**Figure 2:**

**Sprinkler Installation and Correct Use of Wrenches**

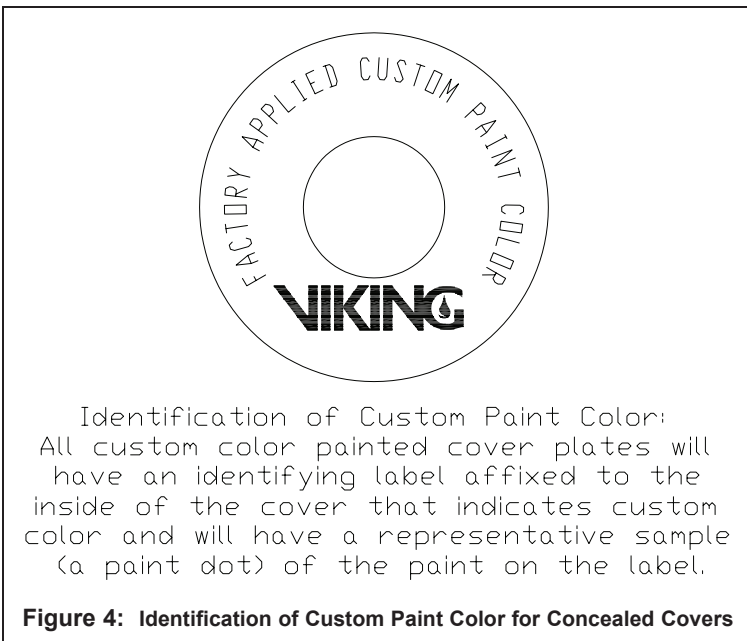
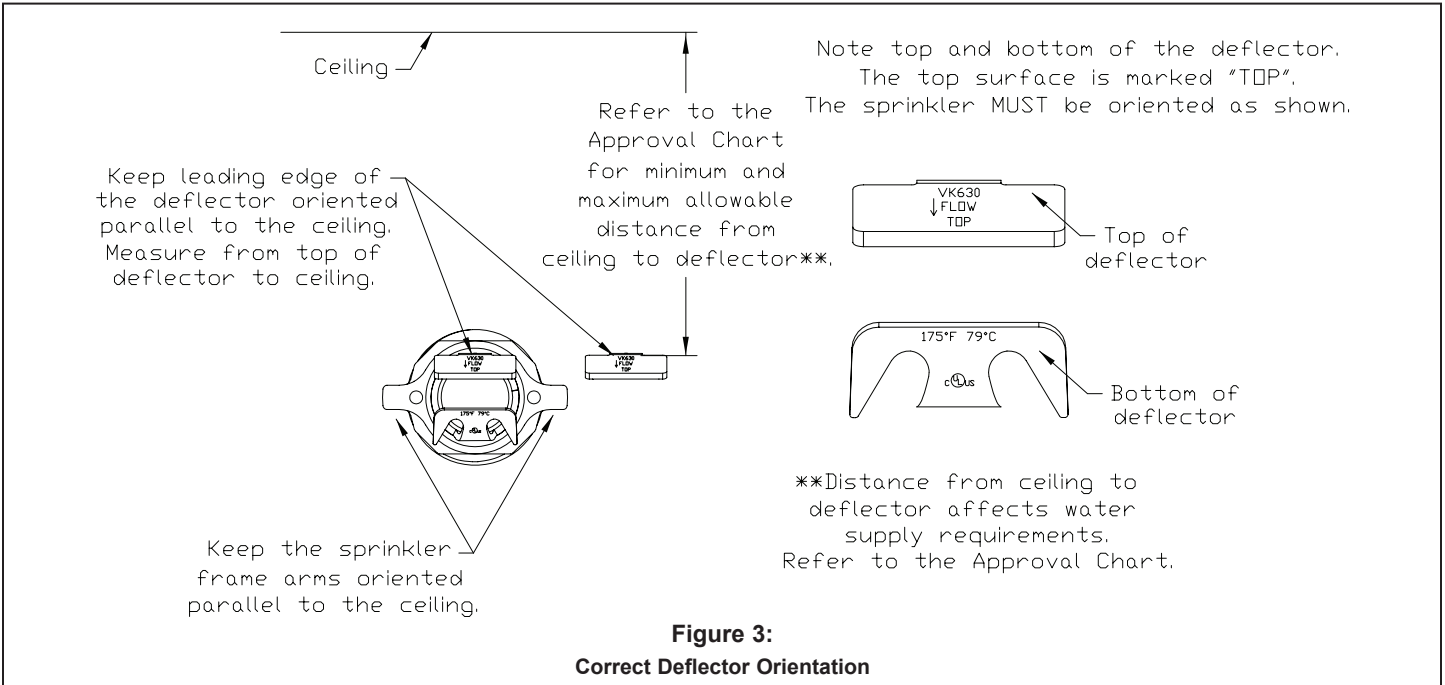


TECHNICAL DATA

QUICK RESPONSE  
EXTENDED COVERAGE  
CONCEALED HSW  
SPRINKLER VK630 (K8.0)

The Viking Corporation, 210 N Industrial Park Drive, Hastings MI 49058

Telephone: 269-945-9501 Technical Services: 877-384-5464 Fax: 269-818-1680 Email: techsvcs@vikingcorp.com





TECHNICAL DATA

**QUICK RESPONSE  
EXTENDED COVERAGE  
CONCEALED HSW  
SPRINKLER VK630 (K8.0)**

The Viking Corporation, 210 N Industrial Park Drive, Hastings MI 49058  
Telephone: 269-945-9501 Technical Services: 877-384-5464 Fax: 269-818-1680 Email: techsvcs@vikingcorp.com

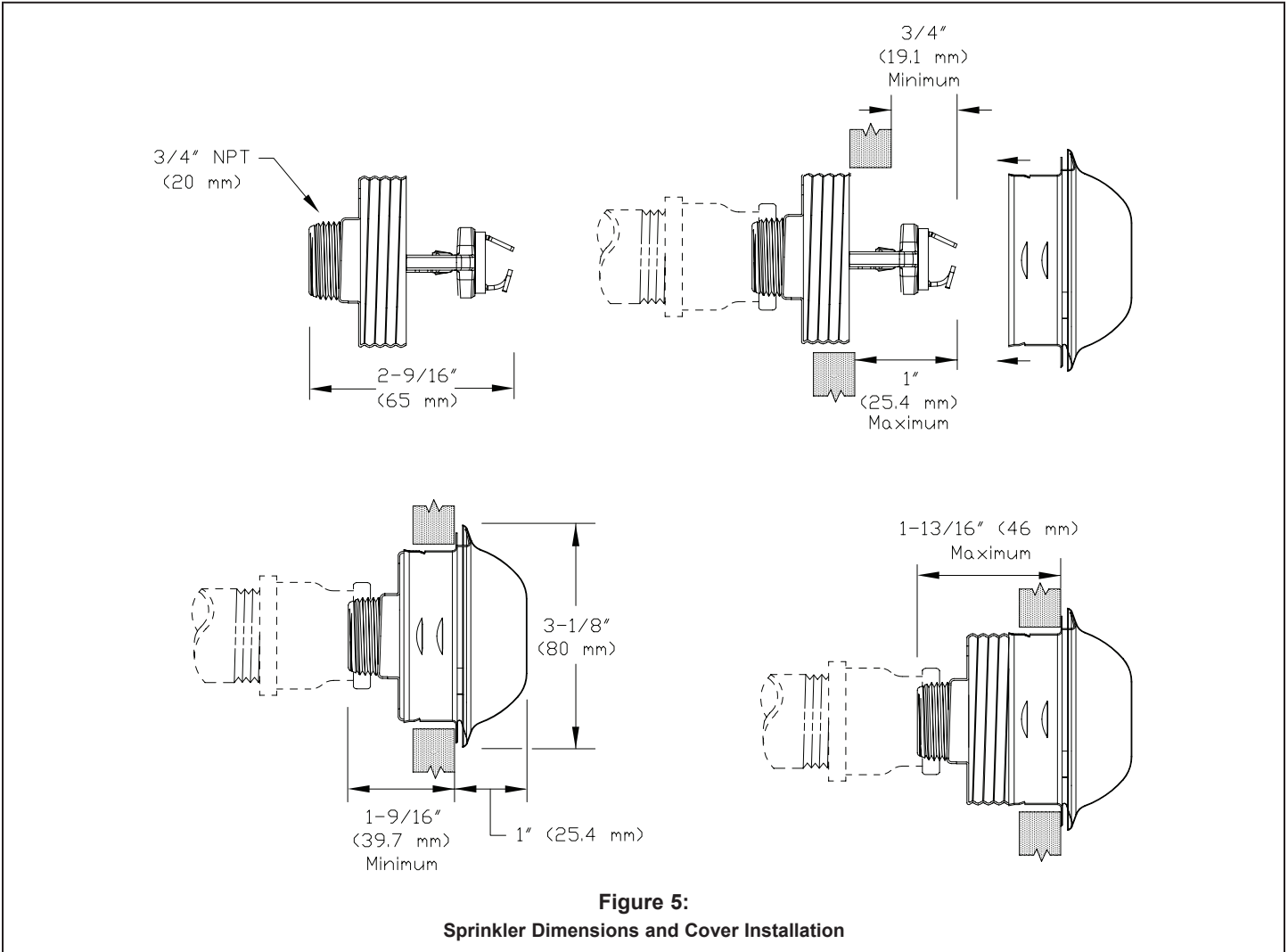


Figure 5:

Sprinkler Dimensions and Cover Installation