



## TECHNICAL DATA

### FREEDOM® RESIDENTIAL CONCEALED PENDENT SPRINKLER VK466 (K5.2)

The Viking Corporation, 210 N Industrial Park Drive, Hastings MI 49058

Telephone: 269-945-9501 Technical Services: 877-384-5464 Fax: 269-818-1680 Email: techsvcs@vikingcorp.com

#### 1. DESCRIPTION

Viking Freedom® Residential Concealed Pendent Sprinkler VK466 is a small high-sensitivity glass bulb residential sprinkler for use with a domed cover assembly. The sprinkler orifice design, with a K-Factor of 5.2 (74.9 metric\*), allows the sprinkler's efficient use of available water supplies for the hydraulically designed fire-protection system. The glass bulb operating element and special deflector characteristics meet the challenges of residential sprinkler standards.

Concealed sprinkler VK466 is pre-assembled with a threaded adapter for installation with the domed cover that provides up to ½" (12.7 mm) of vertical adjustment. The cover plate is available with several decorative finishes to meet design requirements. The two-piece design allows installation and testing of the sprinkler prior to installation of the cover plate. The push-on, thread-off design of the concealed cover plate assembly allows easy installation of the cover plate after the system has been tested and the ceiling finish has been applied. The cover assembly can be removed and reinstalled, allowing temporary removal of ceiling panels without taking the sprinkler system out of service or removing the sprinkler.



#### 2. LISTINGS AND APPROVALS

 **cULus Listed:** Category VKKW

**NSF Certified:** NSF/ANSI Standard 61, Drinking Water System Components

Refer to the Approval Chart on page 141t and Design Criteria on page 141u for cULus Listing requirements that must be followed.

#### 3. TECHNICAL DATA

##### Specifications:

Available since 2006.

Minimum Operating Pressure: Refer to the Approval Chart.

Maximum Working Pressure: 175 psi (12 bar). Factory tested hydrostatically to 500 psi (34.5 bar).

Thread size: 1/2" (15 mm) NPT

Nominal K-Factor: 5.2 U.S. (74.9 metric\*)

\* Metric K-factor measurement shown is in Bar. When pressure is measured in kPa, divide the metric K-factor shown by 10.0.

Glass-bulb fluid temperature rated to -65 °F (-55 °C)

Overall Length: 2-1/4" (58 mm)

##### Material Standards:

Frame Casting: Brass UNS-C84400 or QM Brass

Deflector: Brass UNS-C23000 or Phosphor Bronze UNS-C51000

Bulb: Glass, nominal 3 mm diameter

Belleville Spring Sealing Assembly: Nickel Alloy, coated on both sides with Teflon Tape

Compression Screw: Brass UNS-C36000

Pip Cap and Insert Assembly: Copper UNS-C11000 and Stainless Steel UNS-S30400

Cover Adapter: Cold Rolled Steel UNS-G10080, Finish: Clear Chromate over Zinc Plating

##### Cover Assembly Materials:

Cover Plate Assembly: Copper UNS-C11000 and Brass UNS-C26800

Spring: Beryllium Nickel

Solder: Eutectic

**Ordering Information:** (Also refer to the current Viking price list.)

Viking Residential Concealed Pendent Sprinkler VK466 and Cover Plate Assembly must be ordered separately:

**Sprinkler:** Base Part No. 13781A-X (includes sprinkler and adapter pre-assembled, with a protective plastic cap covering the unit)  
Specify sprinkler temperature rating by adding the appropriate suffix for the temperature rating to the base part number:

Temperature Suffix: 155 °F (68 °C) = B, 175 °F (79 °C) = D

For example, sprinkler VK466 with a 155°F/68°C temperature rating = 13781ABX.

Note: When ordering this sprinkler using the SIN, add suffix -D. For example, concealed sprinkler VK466 = VK466-D.

Viking Technical Data may be found on  
The Viking Corporation's Web site at  
<http://www.vikinggroupinc.com>.  
The Web site may include a more recent  
edition of this Technical Data Page.

	<b>TECHNICAL DATA</b>	<b>FREEDOM® RESIDENTIAL CONCEALED PENDENT SPRINKLER VK466 (K5.2)</b>
---	-----------------------	--

**The Viking Corporation, 210 N Industrial Park Drive, Hastings MI 49058**

**Telephone: 269-945-9501 Technical Services: 877-384-5464 Fax: 269-818-1680 Email: techsvcs@vikingcorp.com**

**Cover Plate Assembly:** Base Part No. 12207

Specify finish and temperature rating of the cover plate assembly by adding the appropriate suffixes for the finish and the cover temperature rating to the base part number:

Finish Suffix: Polished Chrome = F, Brushed Chrome = F-/B, Bright Brass = B, Antique Brass = B-/A, Brushed Brass = B-/B, Brushed Copper = E-/B, Painted White = M-/W, Painted Ivory = M-/I, Painted Black = M-/B

Temperature Suffix: 135 °F (57 °C) = A

For example, cover 12207 with a Polished Chrome finish and a 135 °F (57 °C) temperature rating = 12207FA.

**Available Finishes And Temperature Ratings:** Refer to Table 1.

**Accessories:** (Also refer to the “Sprinkler Accessories” section of the Viking data book.)

**Sprinkler Wrench:** Part No. 13577W/B\*\* (available since 2006)

\*\*A ½” ratchet is required (not available from Viking).

**Sprinkler Cabinet:** Part No. 01731A (available since 1971)

**4. INSTALLATION**

Refer to appropriate NFPA Installation Standards. For NFPA 13D horizontal ceiling criteria and slopes, refer to TIA 1028R for slope ceiling criteria exceptions.

**5. OPERATION**

During fire conditions, when the temperature around the sprinkler approaches its operating temperature, the cover plate detaches. Continued heating of the exposed sprinkler causes the heat-sensitive liquid in the glass bulb to expand and the bulb to shatter, releasing the pip cap and sealing spring assembly. Water flowing through the sprinkler orifice strikes the sprinkler deflector, forming a uniform spray pattern to extinguish or control the fire.

**6. INSPECTIONS, TESTS AND MAINTENANCE**

Refer to NFPA 25 for Inspection, Testing and Maintenance requirements.

**7. AVAILABILITY**

The Viking Model VK466 Sprinkler is available through a network of domestic and international distributors. See The Viking Corporation web site for the closest distributor or contact The Viking Corporation.

**8. GUARANTEE**

For details of warranty, refer to Viking’s current list price schedule or contact Viking directly.

**TABLE 1: AVAILABLE SPRINKLER TEMPERATURE RATINGS AND FINISHES**

Sprinkler Temperature Classification	Sprinkler Nominal Temperature Rating <sup>1</sup>	Maximum Ambient Ceiling Temperature <sup>2</sup>	Temperature Rating of the Cover Assembly (Required)	Cover Plate Base Part Number <sup>3</sup>	Bulb Color
Ordinary	155 °F (68 °C)	100 °F (38 °C)	135 °F (57 °C)	12207	Red
Intermediate	175 °F (79 °C)	150 °F (65 °C)	135 °F (57 °C)	12207	Yellow


**Cover Plate Finishes:** Polished Chrome, Brushed Chrome, Bright Brass, Antique Brass, Brushed Brass, Brushed Copper, Painted White, Painted Ivory, or Painted Black

**Footnotes**

<sup>1</sup> The sprinkler temperature rating is stamped on the deflector.

<sup>2</sup> Based on NFPA-13. Other limits may apply, depending on fire loading, sprinkler location, and other requirements of the Authority Having Jurisdiction. Refer to specific installation standards.

<sup>3</sup> Part number shown is the base part number. For complete part number, refer to current Viking price list schedule.

	<h2 style="margin: 0;">TECHNICAL DATA</h2>	<h3 style="margin: 0;">FREEDOM® RESIDENTIAL CONCEALED PENDENT SPRINKLER VK466 (K5.2)</h3>
---	--	---

**The Viking Corporation, 210 N Industrial Park Drive, Hastings MI 49058**  
**Telephone: 269-945-9501 Technical Services: 877-384-5464 Fax: 269-818-1680 Email: techsvcs@vikingcorp.com**

<h3 style="margin: 0;">Approval Chart</h3> <p style="margin: 0;">Residential Concealed Pendent Sprinkler VK466 For systems designed to NFPA 13D<sup>8</sup> or NFPA 13R. For systems designed to NFPA 13, refer to the design criteria on page 141u.</p>	<table border="1" style="border-collapse: collapse; width: 100%;"> <tr> <td style="font-size: 8px;">                 Sprinkler Temperature Rating                  Cover Plate Temperature Rating                  Cover Plate Finish    <b>KEY</b> </td> </tr> <tr> <td style="font-size: 8px;">                 AW1 ←             </td> </tr> </table>	Sprinkler Temperature Rating Cover Plate Temperature Rating Cover Plate Finish <b>KEY</b>	AW1 ←
Sprinkler Temperature Rating Cover Plate Temperature Rating Cover Plate Finish <b>KEY</b>			
AW1 ←			

Sprinkler Base Part Number <sup>1</sup>	SIN	NPT Thread Size		Nominal K-Factor		Maximum Water Working Pressure	Overall Length	
		Inches	mm	U.S.	metric <sup>2</sup>		Inches	mm
13781A-X	VK466	1/2	15	5.2	74.9	175 psi (12 bar)	2-1/4	57
<b>Maximum Areas of Coverage<sup>6</sup></b>		<b>Minimum Water Supply Requirements<sup>6</sup></b>				<b>Listings and Approvals<sup>3</sup></b> (Refer also to Design Criteria on page 141u.)		
						cULus <sup>4</sup>	NYC	NSF <sup>7</sup>
<b>Installed below smooth, flat, horizontal ceilings, including ceilings with slopes up to and including 2/12 (9.5°).</b>								
12 ft. x 12 ft. (3.7 m x 3.7 m)		14 gpm @ 7.2 psi (53 L/min @ 0.50 bar)				AX1	See Footnote 5.	AX1
14 ft. x 14 ft. (4.3 m x 4.3 m)		14 gpm @ 7.2 psi (53 L/min @ 0.50 bar)				AX1	See Footnote 5.	AX1
16 ft. x 16 ft. (4.9 m x 4.9 m)		14 gpm @ 7.2 psi (53 L/min @ 0.50 bar)				AX1	See Footnote 5.	AX1
18 ft. x 18 ft. (5.5 m x 5.5 m)		17 gpm @ 10.7 psi (64.4 L/min @ 0.74 bar)				AX1	See Footnote 5.	AX1
20 ft. x 20 ft. (6.1 m x 6.1 m)		20 gpm @ 14.8 psi (75.7 L/min @ 1.02 bar)				AX1	See Footnote 5.	AX1
<b>Installed below ceilings with slopes<sup>9</sup> up to and including a 8/12 (33.7°) pitch. Refer to Figure 4 on page 141w.</b>								
						<b>UL</b>	<b>NYC</b>	<b>NSF<sup>7</sup></b>
20 ft. x 20 ft. (6.1 m x 6.1 m)		23 gpm @ 19.6 psi (87.1 L/min @ 1.35 bar)				AX1	See Footnote 5.	AX1
<b>Sprinkler Temperature Ratings</b> A - 155 °F (68 °C) and 175 °F (79 °C)		<b>Cover Temperature Rating</b> X - 135 °F (57 °C)				<b>Cover Plate Finishes</b> 1 - Polished Chrome, Brushed Chrome, Bright Brass, Antique Brass, Brushed Brass, Brushed Copper, Painted White, Painted Ivory, or Painted Black <sup>10</sup>		

**Footnotes**

<sup>1</sup> Part number shown is the base part number. For complete part number, refer to current Viking price list schedule.

<sup>2</sup> Metric K-factor measurement shown is when pressure is measured in Bar. When pressure is measured in kPa, divide the metric K-factor shown by 10.0.

<sup>3</sup> This chart shows the listings and approvals available at the time of printing. Other approvals may be in process. Check with the manufacturer for any additional approvals.

<sup>4</sup> Listed by Underwriter's Laboratories for use in the U.S. and Canada.

<sup>5</sup> Meets New York City requirements, effective July 1, 2008.

<sup>6</sup> For areas of coverage smaller than shown, use the "Minimum Water Supply Requirement" for the next larger area listed. Flows and pressures listed are per sprinkler. The distance from sprinklers to walls shall not exceed one-half the sprinkler spacing indicated for the minimum Water Supply Requirement" used.

<sup>7</sup> Tested and Certified by NSF (National Sanitation Foundation) to NSF/ANSI Standard 61, Drinking Water System Components.

<sup>8</sup> Refer to TIA 1028R slope ceiling criteria exceptions.

<sup>9</sup> Areas under sloped ceilings must be measured along the ceiling slope. Actual floor coverage in the horizontal plane under sloped ceilings will be less than the listed area of coverage.

<sup>10</sup> Other paint colors are available on request with the same listings as the standard finish colors.

# VIKING

## TECHNICAL DATA

**FREEDOM® RESIDENTIAL  
CONCEALED PENDENT  
SPRINKLER VK466 (K5.2)**

The Viking Corporation, 210 N Industrial Park Drive, Hastings MI 49058

Telephone: 269-945-9501 Technical Services: 877-384-5464 Fax: 269-818-1680 Email: techsvcs@vikingcorp.com

### DESIGN CRITERIA

(Also refer to the Approval Chart on page 141t.)

#### **cULus Listing Requirements:**

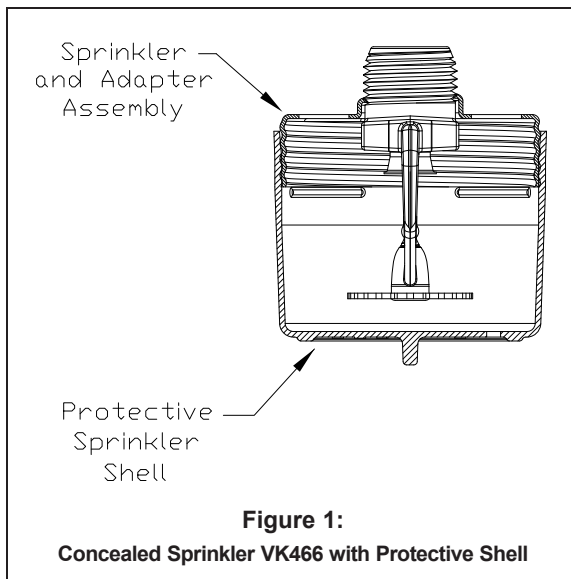
When using Viking Residential Concealed Pendent Sprinkler VK466 for systems designed to NFPA 13D or NFPA 13R, apply the listed areas of coverage and minimum water supply requirements shown in the Approval Chart on page 141t.

For systems designed to NFPA 13: The number of design sprinklers is to be the four contiguous most hydraulically demanding sprinklers. The minimum required discharge from each of the four sprinklers is to be the greater of the following:

- The flow rates given in the Approval Chart on data page 141t for NFPA 13D and NFPA 13R applications for each listed area of coverage, or
- Calculated based on a minimum discharge of 0.1 gpm/sq. ft. over the "design area" in accordance with sections 8.5.2.1 or 8.6.2.1.2 of NFPA 13.
- Minimum distance between residential sprinklers: 8 ft. (2.4 m).
- **DEFLECTOR POSITION:** Install Residential Concealed Pendent Sprinkler VK466 with the deflector 3/8" (9.5 mm) to 7/8" (22.2 mm) below the ceiling. Refer to Figure 3.

**NOTE:** Concealed sprinklers must be installed in neutral or negative pressure plenums only.

**IMPORTANT:** Always refer to Bulletin Form No. F\_091699 - Care and Handling of Sprinklers. Also refer to pages RES1-17 for general care, installation, and maintenance information. Viking sprinklers are to be installed in accordance with the latest edition of Viking technical data, the appropriate standards of NFPA and any other similar Authorities Having Jurisdiction, and also with the provisions of governmental codes, ordinances, and standards, whenever applicable. Final approval and acceptance of all residential sprinkler installations must be obtained from the Authorities Having Jurisdiction.



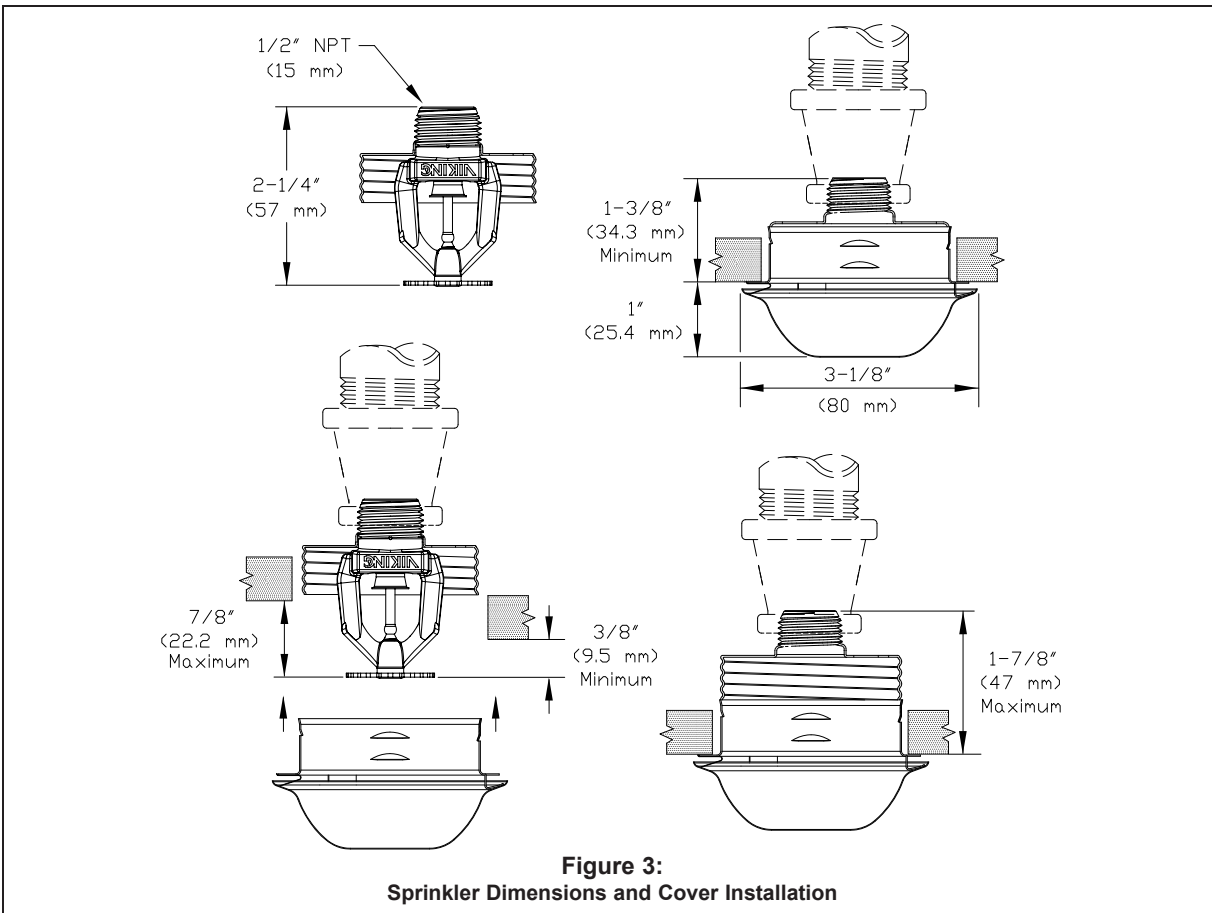
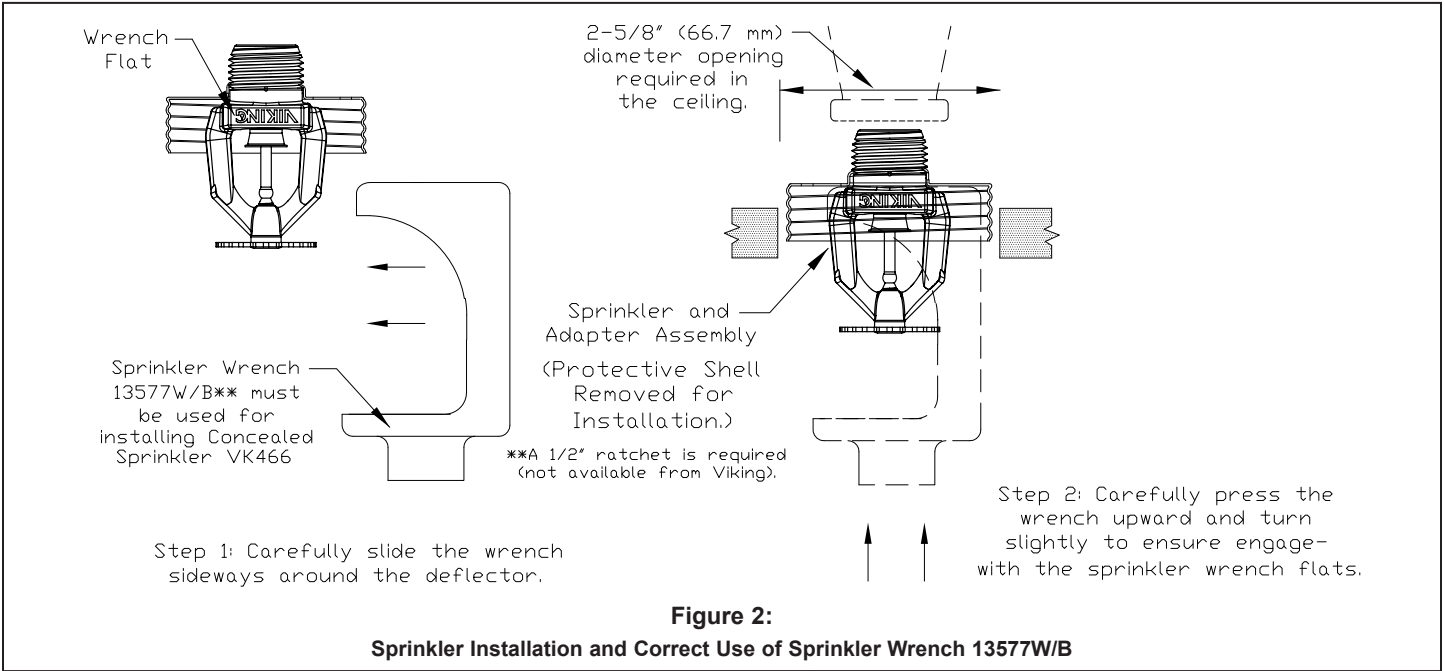


TECHNICAL DATA

FREEDOM® RESIDENTIAL  
CONCEALED PENDENT  
SPRINKLER VK466 (K5.2)

The Viking Corporation, 210 N Industrial Park Drive, Hastings MI 49058

Telephone: 269-945-9501 Technical Services: 877-384-5464 Fax: 269-818-1680 Email: techsvcs@vikingcorp.com





**TECHNICAL DATA**

**FREEDOM® RESIDENTIAL  
CONCEALED PENDENT  
SPRINKLER VK466 (K5.2)**

The Viking Corporation, 210 N Industrial Park Drive, Hastings MI 49058  
 Telephone: 269-945-9501 Technical Services: 877-384-5464 Fax: 269-818-1680 Email: techsvcs@vikingcorp.com

