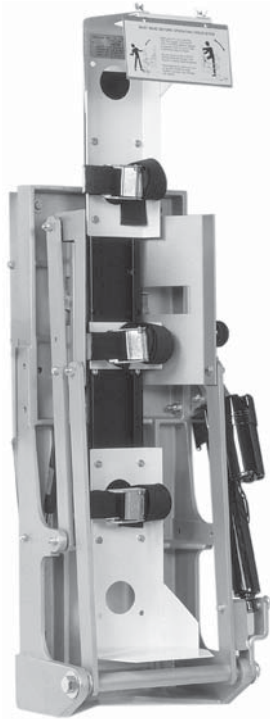


QUIC-RELEASE® OXYGEN TANK SYSTEM
MODEL QR-OTS-U-_____
PARTS SHEET AND MOUNTING DATA



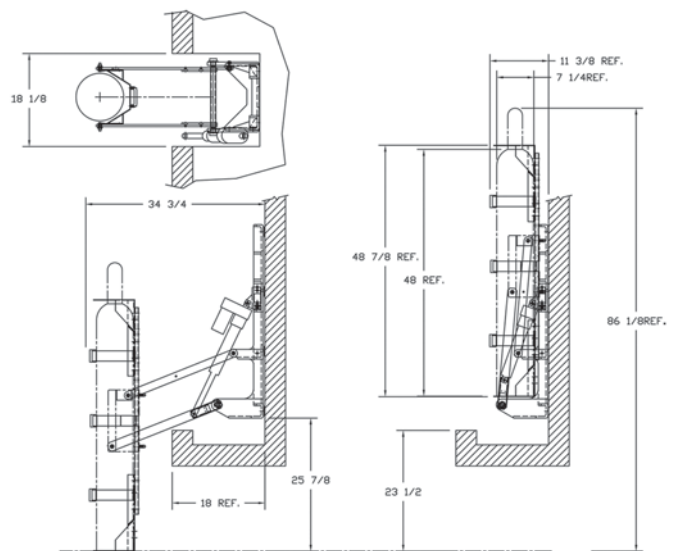
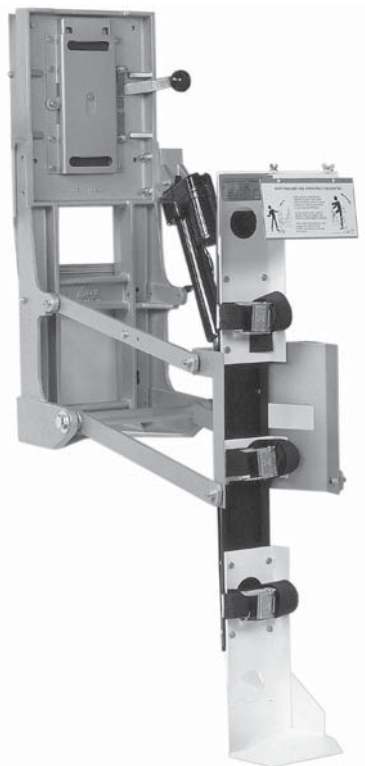
New in 2008 model QR-OTS-U allows you to mount any cylinder from an "M" through a "J". The system uses a QR-MV Multiversal bracket to accommodate the range of cylinders.

Powered by a single electric actuator meeting UL-1500 Standard for Ignition Protection, the unit has a maximum lifting capacity of 160 pounds and requires 12 VDC with 14 amp circuit.

Basic device requires a mounting area of 18-1/8" W x 37-5/8" H x 12-3/4" D. Minimum door opening is 14".

Operating latch is on the same side as the motor.

See page 4 for optional hand held switch.



| MODEL | DESCRIPTION | WT./@ IN LBS. |
|--------------|--|---------------|
| QR-OTSR-U | System with motor on right | 117 |
| QR-OTSL-U | System with motor on left | 117 |
| QR-OTSR-US | System with hand held switch | 119 |
| QWR-OTSL-US | System with hand held switch | 119 |
| QR-MV-OTS | Bracket for QR-OTS-U | 30 |
| 3030-155-105 | Adapter plate for use with QR-MV bracket | 12 |

*Specify length of "M" cylinder to be retained by the System.

| ITEM NO. | PART NO. | DESCRIPTION | QTY. |
|----------|--------------|--|-----------|
| 1 | 3030-140-101 | Base Casting | 1 |
| 2 | 3030-140-103 | Lifting Arm Weldment | 1 |
| 3 | 3030-140-111 | Adapter, Lifting Arm To Tank Brkt. | 1 |
| 4 | 3030-140-113 | Positioning Arm | 1 |
| 5 | 3030-140-116 | Rubber Pad, 1" x 4-1/2" x 1/4" Thk. | 2 |
| 6 | 3030-140-117 | Upper Mtg. Brkt. Actuator | 1 |
| 7 | 3030-140-119 | Housing, Locking Mechanism | 1 |
| 8 | 3030-140-121 | Slider, Locking Mechanism | 1 |
| 9 | 3030-140-123 | Hook, Locking Mechanism | 2 |
| 10 | 3030-140-125 | Handle, Locking Mechanism | 1 |
| 11 | 3030-140-127 | Lifting Arm Screw Sleeve, 3/4 ID x 1 OD x 1-1/32 Lg. | 2 |
| 12 | 9014-117500 | Plainwasher, 3/4ø ID | 2 |
| 13 | 9010-107540 | Screw, 3/4-10 x 2-1/2 Hex Hd. | 2 |
| 14 | 3030-140-149 | Damper, Hydraulic | 1 |
| 15 | 3030-140-133 | Sleeve, 3/8 ID x 1/2 OD x 1/2 | 4 |
| 16 | 9018-103716 | Pivot Screw 3/8-16 x 1" Hex Hd. Grade 8 | 3 |
| 17 | 9013-133700 | Nut, 3/8-16 Self Locking | 5 |
| 18 | 9018-103728 | Pivot Screw 3/8-16 x 1-3/4" Hex Hd. Grade 8 | 1 |
| 19 | 9014-115000 | Flatwasher, 1/2 ID | 2 |
| 20 | 9018-103114 | Mtg. Screw, Lock Mech 5/16-18 x 7/8 Hex Hd. Gr 8 | 4 |
| 21 | 9010-315036 | Shoulder Screw, 1/2 x 2-1/4 Grip | 1 |
| 22 | 9050-005056 | Quic Release Pin x 3-1/2 Grip | 1 |
| 23 | 9018-104364 | Mtg. Screw, Upper Mtg. Brkt. 7/16-14 x 4 HH Gr8 | 2 |
| 24 | 9010-382512 | Setscrew, Upper Mtg. Brkt. 1/4-20 x 3/4 Cup Point | 2 |
| 25 | 9010-103116 | Screw, Slider Attach 5/16-18 x 1 Hex Hd. | 2 |
| 26 | 3030-140-141 | Spacer, 1/2 OD x 14GA x 7/16 LG. | 2 |
| 27 | 3030-140-130 | Washer, Spring 1/2 ID x 1 OD, SS | 1 |
| 28 | 9014-203100 | Lockwasher, 5/16 Split | 14 |
| 29 | 9015-103120 | Screw, 5/16-18 x 1-1/4 HH Gr. 5 | 8 |
| 30 | 9010-103110 | Mtg. Screw, Brkt. To Adapter 5/16-18 x 5/8 Hex Hd. | 10 |
| 31 | 3030-155-105 | Adjustable Backplate | 1 |
| 32 | 9010-103128 | Mtg. Screw, Lock Mech HSG 5/16-18 x 1-3/4 Hex Hd. | 2 |
| 33 | 3030-140-112 | Electric Actuator | 1 |
| 34 | 2070-105-119 | Knob, Plastic | 1 |
| 35 | 9010-113716 | Screw, 3/8-24 x 1", Hex Hd. | 1 |
| 36 | 9014-203700 | 3/8 Split Lockwasher | 1 |
| 37 | 3030-140-147 | Retainer, Latch Handle | 1 |
| 38 | 3030-140-157 | Spacer, 5/16 ID x 1/2 OD x 1 Lg | 2 |
| 39 | 3030-140-159 | Comp Spring, .660 OD x .049 Wire x 7/8 | 2 |
| 40 | 9013-134300 | Nut, 7/16-14 Self Locking | 2 |
| 41 | 9014-113100 | Flatwasher, 5/16 Nom. x 1/16 Thk. | 8 |
| 42 | 9014-114300 | Flatwasher, 7/16 HNom. x 1/16 Thk. | 6 |
| 43 | 9014-204300 | Lockwasher, 7/16 Split | 1 |
| 44 | 9014-113700 | Flatwasher, 3/8 Nom. | 5 |
| 45 | 9012-103700 | Nut, 3/8-16 Plain, Hex | 1 |
| 46 | 3030-140-161 | End Fitting, Damper | 2 |
| 47 | 9013-133100 | Nut, 5/16-18 Flexloc, Hex | 9 |
| 48 | 9010-103156 | Damper To Base Mtg. Screw 5/16-18 x 3-1/2 Hex Hd. | 1 |
| 49 | 9010-103120 | Damper To Arm Mtg. Screw, 5/16-18 x 1-1/4 Hex Hd. | 1 |
| 50 | 9012-103100 | Nut, 5/16-18 Plain, Hex | 3 |
| 51 | 3030-140-163 | Spacer, Damper To Base, 5/16 ID x 1/2 OD x 25/32 Lg | 2 |
| 53 | 3030-140-151 | Cylinder Bracket Assembly for "G" or "H" cylinder | 1 |
| 53-A | 3030-135-105 | Base Plate | 1 |
| 53-B | 3030-135-110 | Retainer Plate | 1 |
| 53-C | 3030-135-120 | Support Strap | 1 |
| 54 | 3030-135-135 | Strap & Buckle Assembly | 3 |
| 55 | 3097-105-144 | Switch, Toggle, DPDT (mom.) | NOT SHOWN |
| 56 | 3030-140-167 | Label "Handle Must Be In..." | NOT SHOWN |
| 57 | 3030-140-169 | Label "Unlock/Lock" | 1 |
| 58 | 3030-140-165 | Nylon Tree Rivet Hole Dia. 3/16, 7/16 | 4 |
| 59 | 3030-140-171 | Label "Stand Clear..." | NOT SHOWN |
| 60 | 3030-140-172 | Label "Must Read..." | 1 |
| 61 | 3030-140-173 | Label Mounting Plate | 1 |
| 62 | 9260-001802 | Rivet, 3/16, .188-250 Grip | 2 |
| 63 | 3030-000-109 | Stop, Cylinder | 1 |
| 64 | 9010-102512 | Screw, 1/4-20 x 3/4 Hex Head | 2 |
| 65 | 9012-302500 | Wing Nut, 1/4-20 | 2 |
| 66 | 9014-112500 | 1/4 Nom., Flatwasher | 2 |
| 67 | 9114-101800 | 3/16 Rivet Backup Washer | 2 |
| 71 | 9120-101103 | Drive Screw #4 x 3/16 Type "U" | 2 |
| 72 | 0000-000-105 | Label, Model Number, Metal | 1 |
| 73 | 3030-000-115 | Label, "Meets KKK Specs" | NOT SHOWN |

