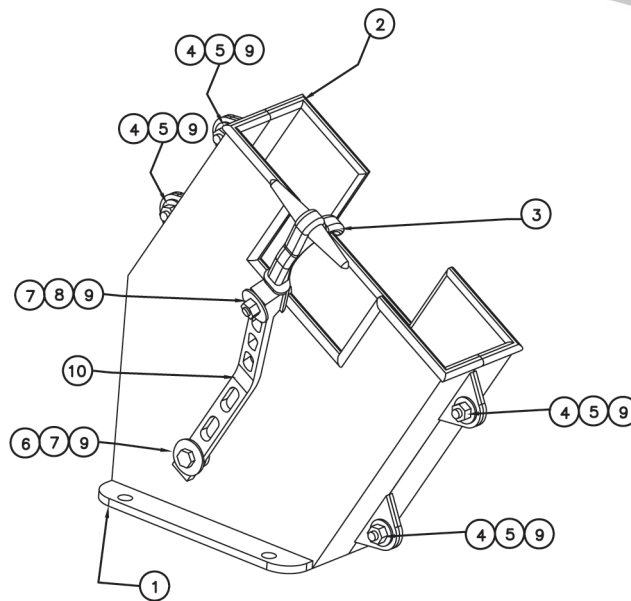


# QUIC-MOUNT® EXTRICATION TOOL HOLDER

## PARTS AND ASSEMBLY INSTRUCTIONS

The QM-ET-C safely stores cutters. Simply place the tool in the holder and pull the strap up and onto the cutter's handle. The tool is held secure and is easily accessible when needed.

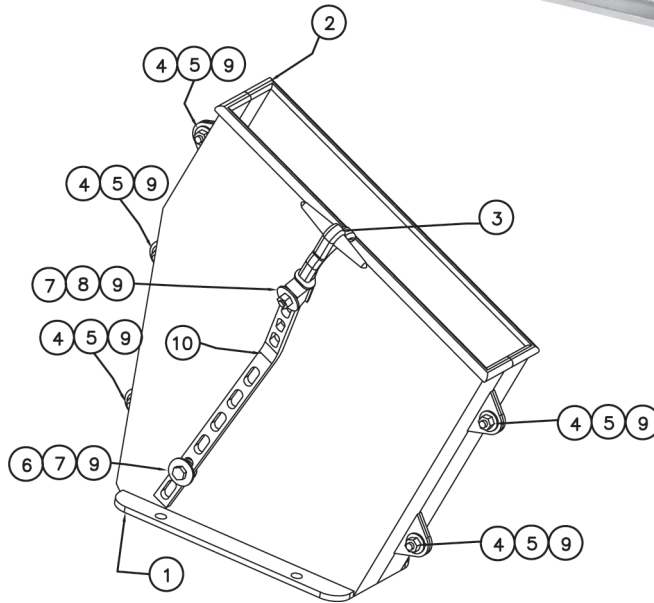
To set up the QM-ET-C, mount the holder to a sturdy surface. Adjust the strap so that it holds the tool firmly in place.



ITEM NO.	DESCRIPTION	PART NUMBER	QTY.
1	Cutter Box Part A	3095-215-103	1
2	Cutter Box Part B	3095-215-101	1
3	Strap Handle	3095-215-109	1
4	1/4-20 x 3/4" Hex Head Bolt	9015-102512	5
5	1/4" Washer	9014-132500	11
6	1/4-20 x 1" Hex Head Bolt	9015-102516	1
7	1/4" Wide Washer	9014-162500	2
8	1/4-20 x 1-1/4" Hex Hd Bolt	9015-102520	1
9	1/4-20 Nut	9015-172500	7
10	Rubber Strap	3095-215-107	1

The QM-ET-J safely stores spreaders. Simply place the tool in the holder and pull the strap up and onto the cutter's handle. The tool is held secure and is easily accessible when needed.

To set up the QM-ET-J, mount the holder to a sturdy surface. Adjust the strap so that it holds the tool firmly in place.



ITEM NO.	DESCRIPTION	PART NUMBER	QTY.
1	Jaw Box Part A	3095-220-101	1
2	Jaw Box Part B	3095-220-103	1
3	Strap Handle	3095-215-109	1
4	1/4-20 x 3/4" Hex Hd Bolt	9015-102512	5
5	1/4" Washer	9014-132500	11
6	1/4-20 x 1" Hex Hd Bolt	9015-102516	1
7	1/4" Wide Washer	9014-162500	2
8	1/4-20 x 1-1/4" Hex Hd Bolt	9015-102520	1
9	1/4-20 Nut	9015-172500	7
10	Rubber Strap	3095-215-107	1



**Ziamatic Corp.**

10 West College Avenue, P.O. Box 337, Yardley, PA 19067-0587 • (215) 493-3618 • FAX: (215) 493-1401

[www.ziamatic.com](http://www.ziamatic.com)

TOLL FREE: 800-711-3473

\*ZICO is a registered trademark for fire, safety and marine products made by Ziamatic Corp.

Copyright Ziamatic Corp. 4-14-09