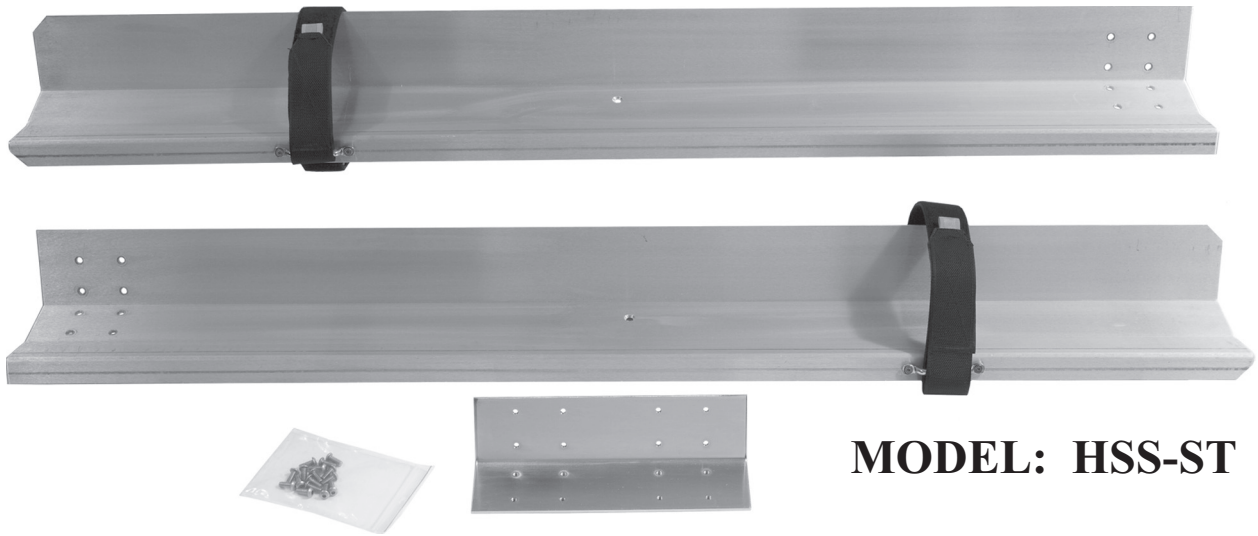


**QUIC-STORAGE® TWO PIECE HOSE TRAY  
PARTS AND ASSEMBLY INSTRUCTIONS**



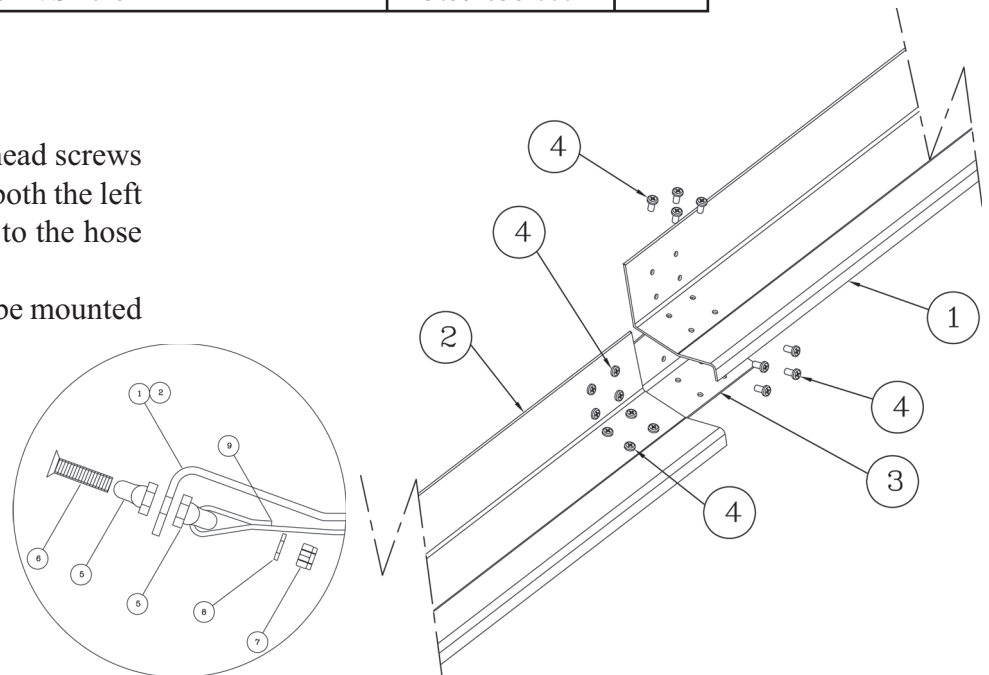
**MODEL: HSS-ST**

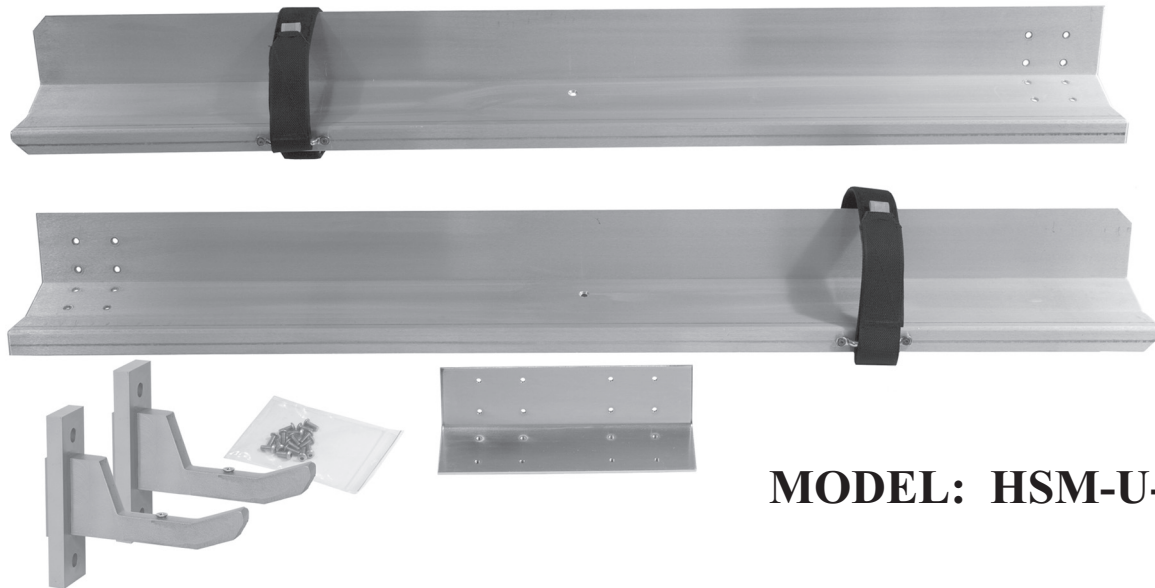
ITEM NO.	DESCRIPTION	PART NUMBER	QTY.
1	Tray, Hard Suction Right	3097-303-101	1
2	Tray, Hard Suction Left	3097-303-103	1
3	Tray Splice	3097-303-105	1
4	1/4"-20 x 3/8" Button Head	9110-502506	16
5	2" Footman Loop	3099-000-013	4
6	10-32 x 1-1/4" Phil Flat Hd Screw	9110-162028	4
7	10-32 Hex Nut, Nylock	9113-172000	4
8	#10 Flat Washer	9114-111900	4
9	UMVS-1625-11	3099-738-000	2

**Assembly Instructions:**

Use the (16) 1/4"-20 x 3/8" button head screws and a medium thread lock to attach both the left and right hard suction tray sections to the hose tray splice.

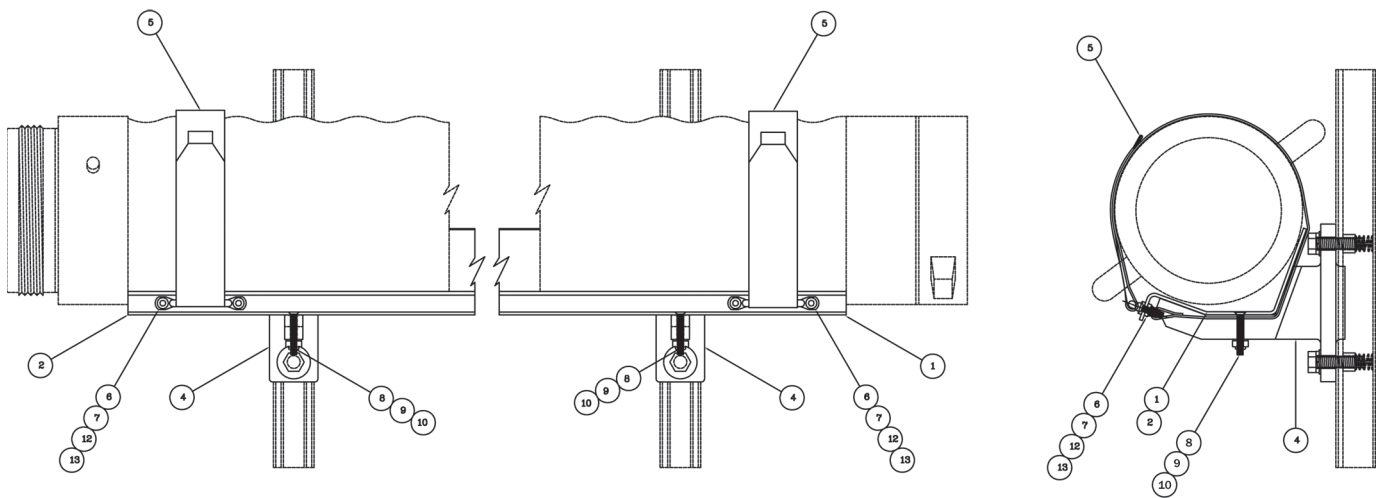
\*Note\* The hose tray splice should be mounted to the bottom of the tray sections.





**MODEL: HSM-U-ST**

ITEM NO.	DESCRIPTION	PART NUMBER	QTY.
1	Tray, Hard Suction Right	3097-303-101	1
2	Tray, Hard Suction Left	3097-303-103	1
3	Tray Splice	3097-303-105	1
4	HSS Tray Mount Bracket	3090-165-101	2
5	UMVS-1625-11	3099-738-000	2
6	2" Footman Loop	3099-000-013	4
7	10-32 x 1-1/4" Flat Hd Phil Screw	9110-162028	4
8	1/4-20 x 1-3/4" Flat Hd Phil Screw	9110-162528	2
9	1/4-20 Hex Nut, Nylock	9113-172500	2
10	1/4" ID Flat Washer	9114-112500	2
11	1/4-20 x 3/8" Button Head	9110-502506	16
12	#10 Flatwasher	9114-111900	4
13	10-32 Self-Locking Nut	9113-172000	4



**Ziamatic Corp.**

10 West College Avenue, P.O. Box 337, Yardley, PA 19067-0587 • (215) 493-3618 • FAX: (215) 493-1401

\*ZICO is a registered trademark for fire, safety and marine products made by Ziamatic Corp.

[www.ziamatic.com](http://www.ziamatic.com)

TOLL FREE: 800-711-3473

Copyright Ziamatic Corp. 4-14-09