

QUIC-DRAFT® FLOATING STRAINER



Pat No. 4,647,374

QUIC-DRAFT floating strainers help draft water from virtually any source, deep or shallow, and insure a sufficient volume of water at draft from pools, ponds, portable tanks, etc.

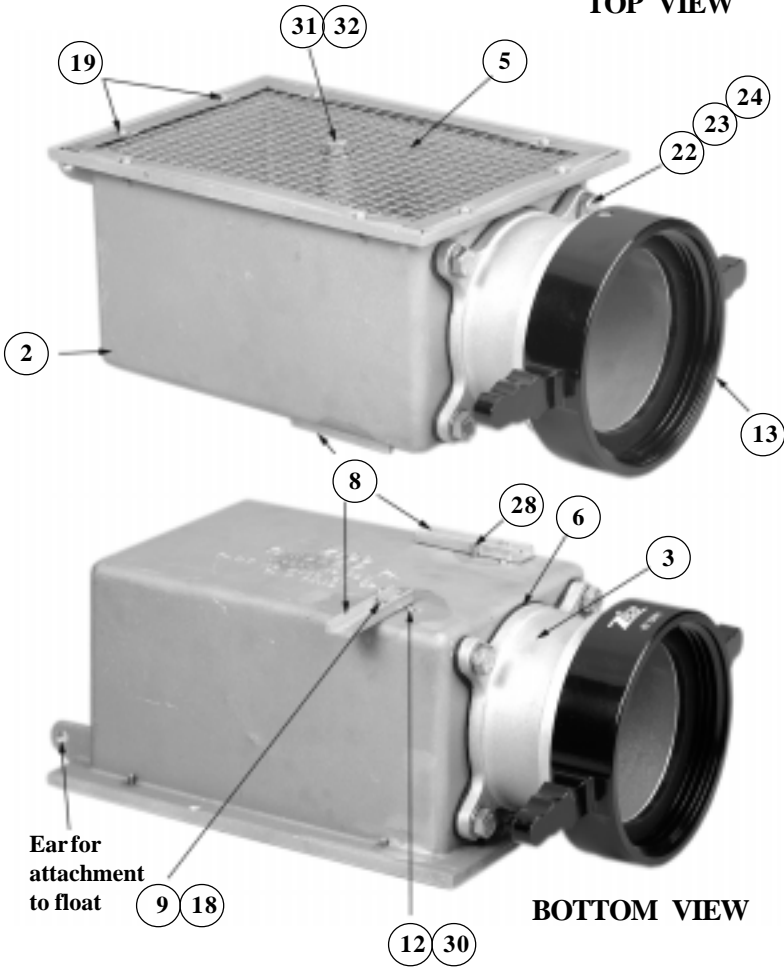
ZICO® strainers ensure full volume of water for the drafting pumper. The FDS-500 is capable of flows in excess of 1,750 GPM and the FDS-600 over 2,100 GPM.

ORDER NO.	DESCRIPTION	WT/@ IN LBS.
FDS-450-NST	4-1/2" NST Female Coupling	24.6
FDS-500-NST	5" NST Female Coupling	27.0
FDS-500-S	5" Storz Coupling	25.1
FDS-600-NST	6" NST Female Coupling	28.6
FDS-600-S	6" Storz Coupling	30.5
S-450-NST	Strainer Box Only/4-1/2" NST	14.8
S-500-NST	Strainer Box Only/5" NST	14.8
S-500-S	Strainer Box Only/5" Storz	14.3
S-600-NS	Strainer Box Only/6" NST	15.3
S-600-S	Strainer Box Only/6" Storz	19.7
FDS-RF	Float Only, Less Hardware	10.2
FDS-RF/H	Float Only, Complete with Hardware	12.2
FDS-450/500-SC	Screen Only for 4-1/2" or 5" Box	1.0
FDS-600-SC	Screen Only for 6" Box	1.1
FDSR	Riser Plate Only, Complete with Hardware	2.4

The float has a large carrying handle for easy transport. The puncture-resistant polyethylene float is foam filled for years of maintenance free service.

When mounted on the float, the strainer box may be locked in place to prevent banging against the carrier's legs. The strainer box can be easily detached, even with a gloved hand, for use as a box strainer alone or for storage. The box strainer is more efficient than a barrel strainer and it may be left attached to the hard sleeve.

TOP VIEW



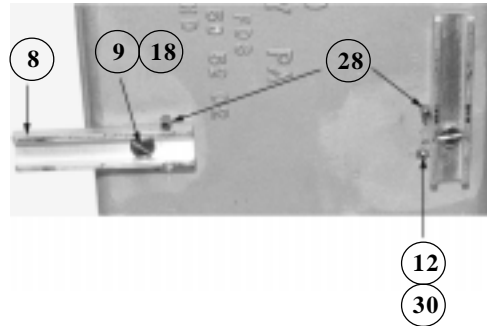
BOTTOM VIEW

**Model S-500-NST
strainer box shown.**

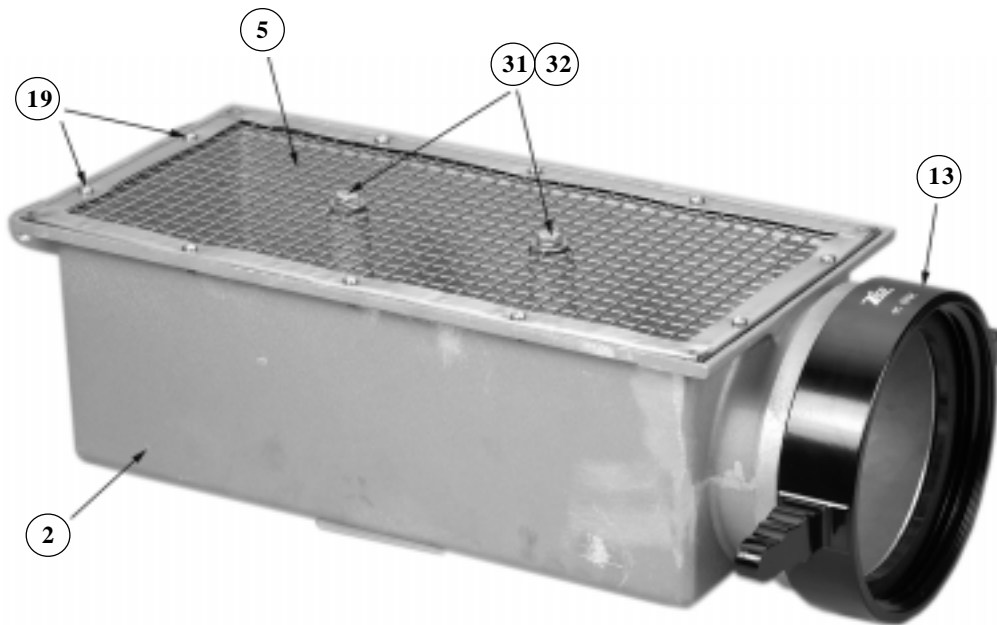
Coupling nuts (13) available with National Standard Threads (NST) or Storz (S).

The strainer box is used for 4-1/2" and 5" models with only the adapter casting (3) and coupling nut (13) being changed.

Latch (8) swings out and locks in place over the float (1) to prevent the box from swaying freely as the complete assembly is being carried. Swing them back out of the way before using or when the box is being removed from the float.



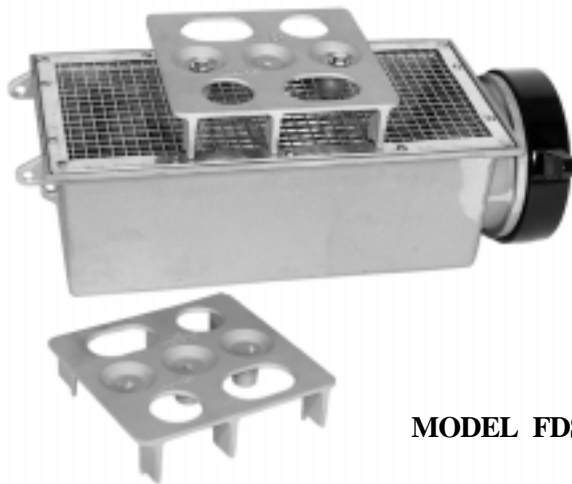
ITEM NO.	DESCRIPTION	S-450-NST	S-500-NST	S-500-S	S-600-NST	S-600-S	PCS. REQ.
2	Strainer box casting	2035-000-110	2035-000-110	2035-000-110	2035-000-115	2035-000-116	1
3	Adapter casting	2035-000-120	2035-000-125	2035-000-126			1
5	Screen, stainless	2035-000-150	2035-000-150	2035-000-150	2035-000-155	2035-000-155	1
6	Gasket, neoprene	2035-000-145	2035-000-145	2035-000-145			1
8	Latch, 3-1/2" L	2035-000-170	2035-000-170	2035-000-170	2035-000-170	2035-000-170	2
9	Bushing, brass	2035-000-175	2035-000-175	2035-000-175	2035-000-175	2035-000-175	2
12	Ball, 1/4" O.D.	2035-000-180	2035-000-180	2035-000-180	2035-000-180	2035-000-180	2
13	Coupling nut	2000-000-160	2000-000-175	2000-000-177	2000-000-187	2000-000-189	1
18	1/4-20 x 1/2 pan hd.	9110-212508	9110-212508	9110-212508	9110-212508	9110-212508	2
19	10-32 x 5/8 pan hd.	9125-132010	9125-132010	9125-132010	9125-132010	9125-132010	8-10
22	1/2-13 x 1-1/2 hex hd.	9110-105024	9110-105024	9110-105024			4
23	1/2-13 x 1/2 hex nut	9112-105000	9112-105000	9112-105000			4
24	1/2 I.D. lock washer	9114-205000	9114-205000	9114-205000			4
28	3/16 x 3/4 spring pin	9140-101812	9140-101812	9140-101812	9140-101812	9140-101812	2
30	Compression spring	2035-000-190	2035-000-190	2035-000-190	2035-000-190	2035-000-190	2
31	3/8-16 x 3/4 hex hd.	9110-103712	9110-103712	9110-103712	9110-103712	9110-103712	1-2
32	3/8 I.D. flat washer	9114-113700	9114-113700	9114-113700	9114-113700	9114-113700	1-2



MODEL S-600-NST

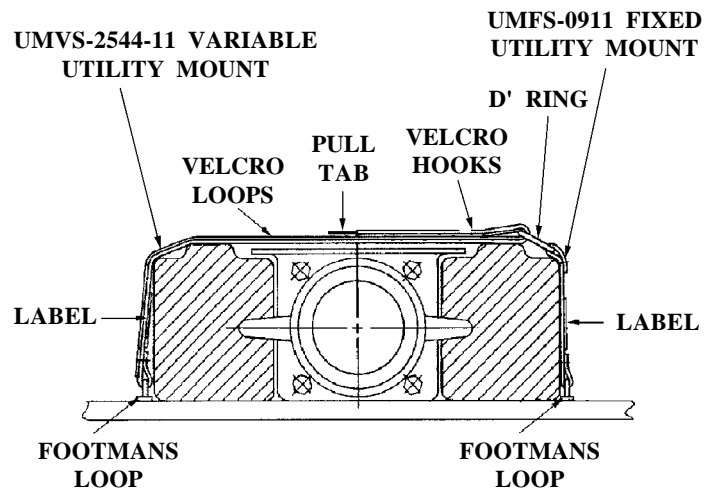
The 6" strainer box (2) is not interchangeable with 4-1/2" or 5" coupling nuts and the box is longer to provide more water for 6" suction hose.

The 6" strainer box is available with National Standard Thread (NST) or Storz (S).

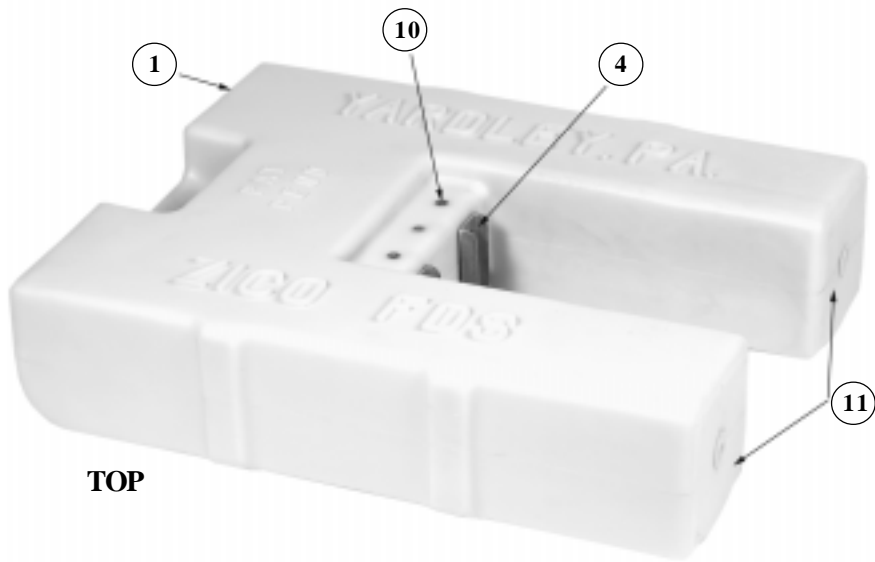


MODEL FDSR

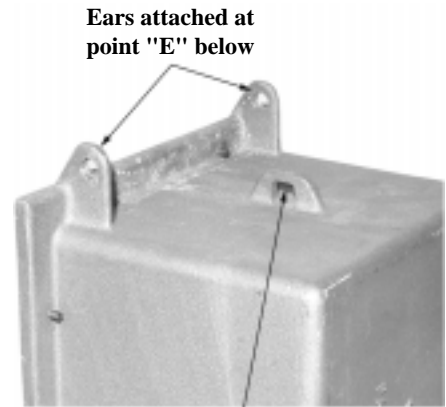
Riser plate (FDSR) should be bolted to the center post(s) using 3/8-16 hardware provided (31 & 32) whenever the strainer box (2) is used in the inverted position in a portable water tank. The riser prevents the tank's cloth liner from being sucked flat against the screen (5) which could damage the screen or pump. Never allow debris to cover the screen for the same reason.



QUIC-STRAP® variable utility mount (UMVS-2544-11) and fixed utility mount (UMFS-0911) hold the float assembly to any flat mounting surface. Two of each straps should be used. Straps come with footman's loops.

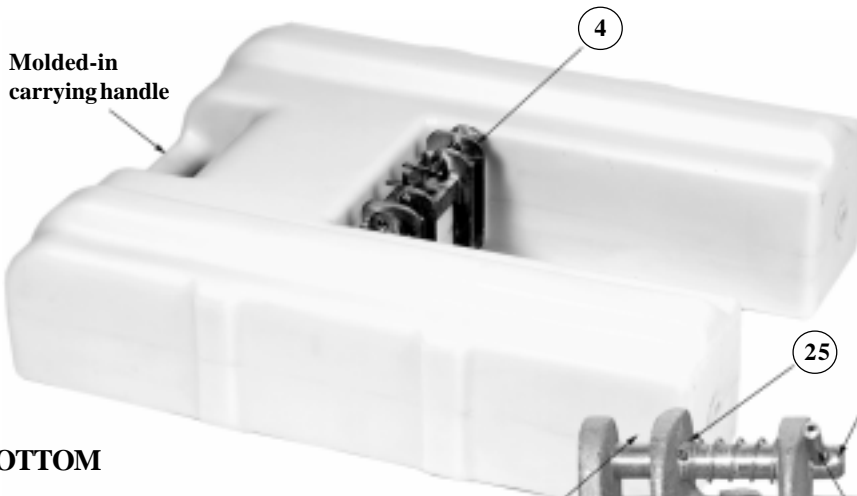


TOP

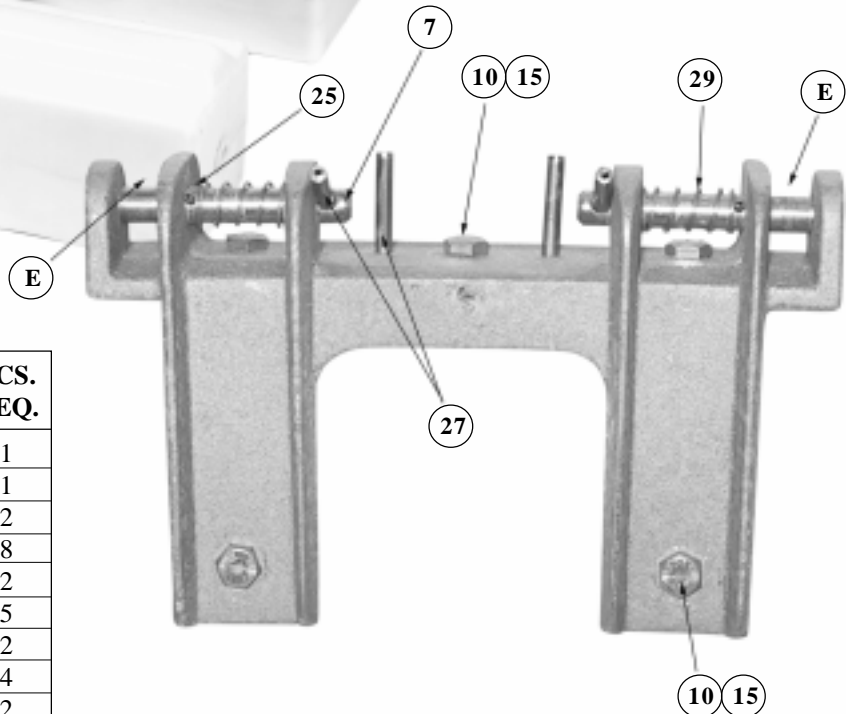


Ears attached at point "E" below

Loop for optional lanyard attachment



BOTTOM



ITEM NO.	DESCRIPTION	FDS-RF/H	PCS. REQ.
1	Rotomolded float	2035-000-160	1
4	Mount bracket casting	2035-000-132	1
7	Pin, 3/8" dia.	2035-000-165	2
10	Insert, brass	2035-000-105	8
11	Caplug, yellow	2035-000-195	2
15	1/4-20 x 3/4 hex hd	9110-102512	5
25	3/32 x 3/4 spring pin	9140-100912	2
27	3/16 x 1-1/2 spring pin	9140-101824	4
29	Compression	2035-000-185	2



Ziamatic Corp.

10 West College Avenue, P.O. Box 337, Yardley, PA 19067-8337 • (215) 493-3618 • FAX: (215) 493-1401

*ZICO is a registered trademark for fire, safety and marine products made by Ziamatic Corp.

www.ziamatic.com

CALL TOLL FREE: 800-711-FIRE

Copyright Ziamatic Corp. 7-01