



TECHNICAL DATA

MIRAGE® EC/QREC OH-ELO CONCEALED PENDENT SPRINKLER VK538 (K11.2)

The Viking Corporation, 210 N Industrial Park Drive, Hastings MI 49058

Telephone: 269-945-9501 Technical Services: 877-384-5464 Fax: 269-818-1680 Email: techsvcs@vikingcorp.com

1. DESCRIPTION

Viking Mirage® EC/QREC ELO Concealed Pendent Sprinkler VK538 is a thermo-sensitive solder link spray sprinkler designed for installation on concealed pipe systems where the appearance of a smooth ceiling is desired. With a K-factor of 11.2, the sprinkler produces flows required to meet Ordinary Hazard density requirements at lower pressures than 5.6K or 8.0K sprinklers. The fusible operating element and special deflector characteristics meet the challenges of quick response extended coverage standards. Sprinkler VK538 has cULus Listings as both standard and quick response.

The sprinkler is pre-assembled with a threaded adapter for installation with a low-profile cover assembly that provides up to ½" (12.7 mm) of vertical adjustment. The two-piece design allows installation and testing of the sprinkler prior to installation of the cover plate. The "push-on", "thread-off" design of the concealed cover plate assembly allows easy installation of the cover plate after the system has been tested and the ceiling finish has been applied. The cover assembly can be removed and reinstalled, allowing temporary removal of ceiling panels without taking the sprinkler system out of service or removing the sprinkler.



2. LISTINGS AND APPROVALS



cULus Listed: Category VNIV

Refer to the Approval Chart on page 89j and Design Criteria on page 89k for cULus Listing requirements that must be followed.

3. TECHNICAL DATA

Specifications:

Available since 2011.

Minimum Operating Pressure: 7 psi (0.5 bar).

Maximum Working Pressure: 175 psi (12 bar). Factory tested hydrostatically to 500 psi (34.5 bar).

Thread size: 3/4" (20 mm) NPT

Nominal K-Factor: 11.2 U.S. (161.3 metric*)

*Metric K-factor measurement is shown in bar. When pressure is measured in kPa, divide the metric K-factor shown by 10.0.

Patented

Material Standards:

Sprinkler Body: Brass UNS-C84400

Deflector: Brass UNS-C23000

Deflector Pins: Stainless Steel

Fusible Element Assembly: Nickel Alloy and Eutectic Solder

Lever and Lever Bar: Stainless Steel

Seat: Bronze UNS-C31400 / UNS-C31600

Deflector Carrier: Brass UNS-C84400

Screw: Brass UNS-C36000

Belleville Spring Sealing Assembly: Nickel Alloy, coated on both sides with Teflon Tape

Cover Adapter: Cold Rolled Steel UNS-G10080, Finish: Clear Chromate over Zinc Plating

Cover Assembly Materials:

Cover: Brass UNS-C26800

Base: Cold Rolled Steel UNS-G10060 / G10080, Finish: Copper Flash

Springs: Nickel Alloy

Solder: Non-eutectic


Ordering Information: (Also refer to the current Viking price list.)

Viking Mirage® EC/QREC OH-ELO Concealed Pendent Sprinkler VK538 and Cover Plate Assembly must be ordered separately:

Sprinkler: Base Part No. 17115A

Specify sprinkler temperature rating by adding the appropriate suffix for the temperature rating to the base part number:

Viking Technical Data may be found on
The Viking Corporation's Web site at
<http://www.vikinggroupinc.com>.
The Web site may include a more recent
edition of this Technical Data Page.

| | | |
|---|-----------------------|---|
|  | TECHNICAL DATA | MIRAGE® EC/QREC OH-ELO CONCEALED PENDENT SPRINKLER VK538 (K11.2) |
|---|-----------------------|---|

The Viking Corporation, 210 N Industrial Park Drive, Hastings MI 49058

Telephone: 269-945-9501 Technical Services: 877-384-5464 Fax: 269-818-1680 Email: techsvcs@vikingcorp.com

Temperature Suffix: 165 °F (74 °C) = C, 205 °F (96 °C) = E

For example, sprinkler VK538 with a 165 °F (74 °C) temperature rating = 17115AC.

Cover Plate Assembly: Base Part No. 15765 (3-5/16" diameter)

Specify finish and temperature rating of the cover plate assembly by adding the appropriate suffixes for the finish and the cover temperature rating to the base part number:

Finish Suffix: Polished Chrome = F, Painted White = M-/W, Painted Ivory = M-/I, Painted Black = M-/B

Temperature Suffix: 135 °F (57 °C) = A or 165 °F (74 °C) = C

For example, cover 15765 with a Polished Chrome finish and a 165°F/74°C temperature rating = 15765FC.

Available Finishes And Temperature Ratings: Refer to Table 1.

Accessories: (Also refer to the "Sprinkler Accessories" section of the Viking data book.)

Sprinkler Wrenches:**

A. Heavy Duty Wrench Part No. 15467W/B (available since 2009), or

B. Head Cabinet Wrench Part No. 15466*** (available since 2009)

C. Optional Concealed Cover Plate Installer Tool Part No. 14867 (available since 2007)

Requires a ½" ratchet (not available from Viking). *Also optional for removal of the protective cap. Ideal for sprinkler cabinets.

Sprinkler Cabinet: Part No. 01731A (available since 1971)

4. INSTALLATION

Refer to appropriate NFPA Installation Standards.

5. OPERATION

During fire conditions, when the temperature around the sprinkler approaches its operating temperature, the cover plate detaches. Continued heating of the exposed sprinkler causes the heat-sensitive fusible element assembly to disengage, releasing seat and sealing spring assembly. Water flowing through the sprinkler orifice strikes the sprinkler deflector, forming a uniform spray pattern to extinguish or control the fire.

6. INSPECTIONS, TESTS AND MAINTENANCE

Refer to NFPA 25 for Inspection, Testing and Maintenance requirements.

7. AVAILABILITY

The Viking Model VK538 Sprinkler is available through a network of domestic and international distributors. See The Viking Corporation web site for the closest distributor or contact The Viking Corporation.

8. GUARANTEE

For details of warranty, refer to Viking's current list price schedule or contact Viking directly.

TABLE 1: AVAILABLE SPRINKLER TEMPERATURE RATINGS AND FINISHES

| Sprinkler Temperature Classification | Sprinkler Nominal Temperature Rating ¹ | Maximum Ambient Ceiling Temperature ² | Temperature Rating of the Cover Assembly (Required) | Cover Plate Base Part No. ³ |
|--------------------------------------|---|--|---|--|
| Ordinary | 165 °F (74 °C) | 100 °F (38 °C) | 135 °F (57 °C) | 15765 |
| | | | 165 °F (74 °C) | |
| Intermediate | 205 °F (96 °C) | 150 °F (65 °C) | 165 °F (74 °C) | |


Cover Plate Finishes: Polished Chrome, Painted White, Painted Ivory, or Painted Black

Footnotes

¹ The sprinkler temperature rating is stamped on the deflector.

² Based on NFPA-13. Other limits may apply, depending on fire loading, sprinkler location, and other requirements of the Authority Having Jurisdiction. Refer to specific installation standards.

³ Base part number is shown. For complete part number, refer to Viking's current price list schedule.

| | | |
|---|-----------------------|---|
|  | TECHNICAL DATA | MIRAGE® EC/QREC OH-ELO CONCEALED PENDENT SPRINKLER VK538 (K11.2) |
|---|-----------------------|---|

The Viking Corporation, 210 N Industrial Park Drive, Hastings MI 49058
 Telephone: 269-945-9501 Technical Services: 877-384-5464 Fax: 269-818-1680 Email: techsvcs@vikingcorp.com

| Sprinkler Base Part Number ¹ | SIN | NPT Thread Size | | Nominal K-Factor | | Maximum Water Working Pressure | Overall Length | |
|---|-------|-----------------|----|------------------|---------------------|--------------------------------|----------------|------|
| | | Inches | mm | U.S. | metric ² | | Inches | mm |
| 17115A | VK538 | 3/4 | 20 | 11.2 | 161.3 | 175 psi (12 bar) | 2-5/8 | 66.6 |

| | | | | | | | |
|---|---|-------------|------------|--------|--|-------|----------------------------|
| Approval Chart EC/QREC Ordinary Hazard ELO Sprinklers | <table border="1" style="border-collapse: collapse;"> <tr> <td style="padding: 2px;">Temperature</td> <td style="padding: 2px;">KEY</td> </tr> <tr> <td style="padding: 2px;">Finish</td> <td></td> </tr> <tr> <td style="padding: 2px;">A1X ←</td> <td style="padding: 2px;">Escutcheon (if applicable)</td> </tr> </table> | Temperature | KEY | Finish | | A1X ← | Escutcheon (if applicable) |
| Temperature | KEY | | | | | | |
| Finish | | | | | | | |
| A1X ← | Escutcheon (if applicable) | | | | | | |

| Max. Sprinkler Spacing (L x W ⁶) | Maximum Area per Sprinkler | Minimum Water Supply Requirements ⁶ | | Listings ³ | |
|--|----------------------------|--|--------------------------|--|-----|
| | | Ordinary Hazard Group I | Ordinary Hazard Group II | (Refer also to Design Criteria on page 89j.) | |
| | | Flow / Pressure | Flow / Pressure | cULus ⁴ | NYC |

| Standard Response | | | | | |
|------------------------------------|--|---|---|-----|-----------------|
| 20 ft. x 20 ft. (6.1 m x 6.1 m) | 400 ft ² (37.2 m ²) | 60 gpm @ 28.7 psi (227.1 L/min @ 1.98 Bar) | 80 gpm @ 51.0 psi (302.8 L/min @ 3.52 Bar) | AY1 | See Footnote 5. |

| Quick Response | | | | | |
|------------------------------------|--|---|---|----------|-----------------|
| 14 ft. x 14 ft. (4.3 m x 4.3 m) | 196 ft ² (18.2 m ²) | 30 gpm @ 7.2 psi (113.6 L/min @ .50 Bar) | 39 gpm @ 12.1 psi (147.7 L/min @ .84 Bar) | AZ1, BY1 | See Footnote 5. |
| 16 ft. x 16 ft. (4.9 m x 4.9 m) | 256 ft ² (23.8 m ²) | 38 gpm @ 11.5 psi (143.9 L/min @ .79 Bar) | 51 gpm @ 20.7 psi (193.1 L/min @ 1.43 Bar) | AZ1, BY1 | See Footnote 5. |
| 18 ft. x 18 ft. (5.5 m x 5.5 m) | 324 ft ² (30.1 m ²) | 49 gpm @ 19.1 psi (185.5 L/min @ 1.32 Bar) | 65 gpm @ 33.7 psi (246.1 L/min @ 2.32 Bar) | AZ1, BY1 | See Footnote 5. |
| 20 ft. x 20 ft. (6.1 m x 6.1 m) | 400 ft ² (37.2 m ²) | 60 gpm @ 28.7 psi (227.1 L/min @ 1.98 Bar) | 80 gpm @ 51.0 psi (302.8 L/min @ 3.52 Bar) | AX1, BY1 | See Footnote 5. |

| | | |
|---|--|--|
| Approved Temperature Ratings A - 165 °F (74 °C) B - 205 °F (96 °C) | Cover Assembly Temperature Ratings X - 135 °F (57 °C) cover 15765 ¹ Y - 165 °F (74 °C) cover 15765 ¹ Z - 135 °F (57 °C) or 165 °F (74 °C) cover 15765 ¹ | Cover Plate Finishes⁷ 1 - Polished Chrome, Painted White, Painted Ivory, or Painted Black |
|---|--|--|

Footnotes

¹ Part number shown is the base part number. For complete part number, refer to current Viking price list schedule.

² Metric K-factor measurement shown is when pressure is measured in Bar. When pressure is measured in kPa, divide the metric K-factor shown by 10.0.

³ This chart shows listings and approvals available at time of printing. Check with the manufacturer for any additional approvals.

⁴ cULus Listed for use in the U.S. and Canada.

⁵ Meets New York City requirements, effective July 1, 2008.

⁶ To determine "Minimum Water Supply Requirement" for areas of coverage where length and width of actual sprinkler spacing are not equal, select the "Maximum Sprinkler Spacing" from the chart that is equal to or greater than the larger of the actual spacing (length or width) dimensions used. Example: When using 10'-6" x 13'-0" sprinkler spacing, provide the "Minimum Water Supply Requirement" listed in the chart for 14'-0" x 14'-0" spacing. For areas of coverage smaller than shown, use the "Minimum Water Supply Requirement" in the appropriate hazard group for the next larger area listed. The distance from sprinklers to walls shall not exceed one-half the "Maximum Sprinkler Spacing" listed for the "Minimum Water Supply Requirement" used.

⁷ Painted finish consists of Polyester Baked Enamel. Other paint colors are available on request with the same listings as the standard paint colors. Listings and approvals apply for any paint manufacturer. Contact Viking for additional information.

NOTE: Custom colors are indicated on a label inside the cover assembly. Refer to Figure 1.

| | | |
|---|-----------------------|---|
|  | TECHNICAL DATA | MIRAGE® EC/QREC OH-ELO CONCEALED PENDENT SPRINKLER VK538 (K11.2) |
|---|-----------------------|---|

The Viking Corporation, 210 N Industrial Park Drive, Hastings MI 49058
Telephone: 269-945-9501 Technical Services: 877-384-5464 Fax: 269-818-1680 Email: techsvcs@vikingcorp.com

DESIGN CRITERIA - UL
(Also refer to the Approval Chart.)

cULus Listing Requirements:

EC/QREC OH-ELO Pendent Sprinkler VK538 is cULus Listed as indicated in the Approval Chart for installation in accordance with the latest edition of NFPA 13 for extended coverage pendent spray sprinklers as indicated below:

- The minimum water supplies and maximum areas of coverage shown in Approval Chart 1 are designed to provide the following design densities: 0.15 gpm/ft² (6.1 mm/min) for Ordinary-Hazard Group I densities; 0.2 gpm/ft.² (8.1 mm/min) for Ordinary-Hazard Group II densities.
- Minimum spacing allowed is 8 ft. (2.4 m) unless baffles are installed in accordance with NFPA 13.
- Minimum distance from walls is 4 in. (102 mm).
- Maximum distance from walls shall be no more than one-half of the allowable distance between sprinklers. The distance shall be measured perpendicular to the wall.
- The sprinkler installation rules contained in NFPA 13 for extended coverage pendent spray sprinklers must be followed.
- Limited to use with smooth, flat, horizontal ceilings only.

NOTE: Concealed sprinklers must be installed in neutral or negative pressure plenums only.

IMPORTANT: Always refer to Bulletin Form No. F_091699 - Care and Handling of Sprinklers. Also refer to pages EC1-3 for general care, installation, and maintenance information. Viking sprinklers are to be installed in accordance with the latest edition of Viking technical data, the appropriate standards of NFPA, LPCB, APSAD, VdS or other similar organizations, and also with the provisions of governmental codes, ordinances, and standards, whenever applicable.





TECHNICAL DATA

MIRAGE® EC/QREC OH-ELO
CONCEALED PENDENT
SPRINKLER VK538 (K11.2)

The Viking Corporation, 210 N Industrial Park Drive, Hastings MI 49058

Telephone: 269-945-9501 Technical Services: 877-384-5464 Fax: 269-818-1680 Email: techsvcs@vikingcorp.com

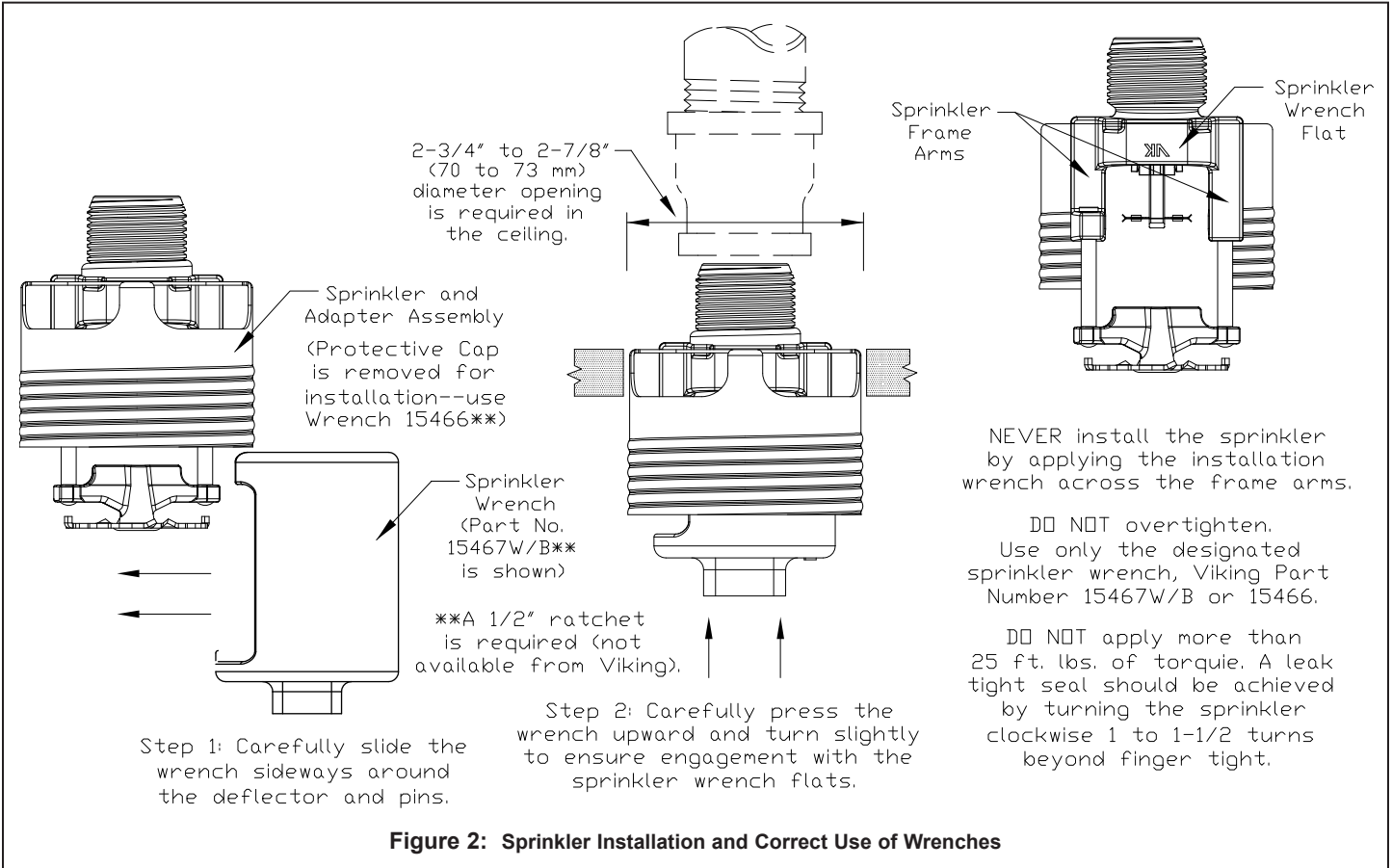


Figure 2: Sprinkler Installation and Correct Use of Wrenches

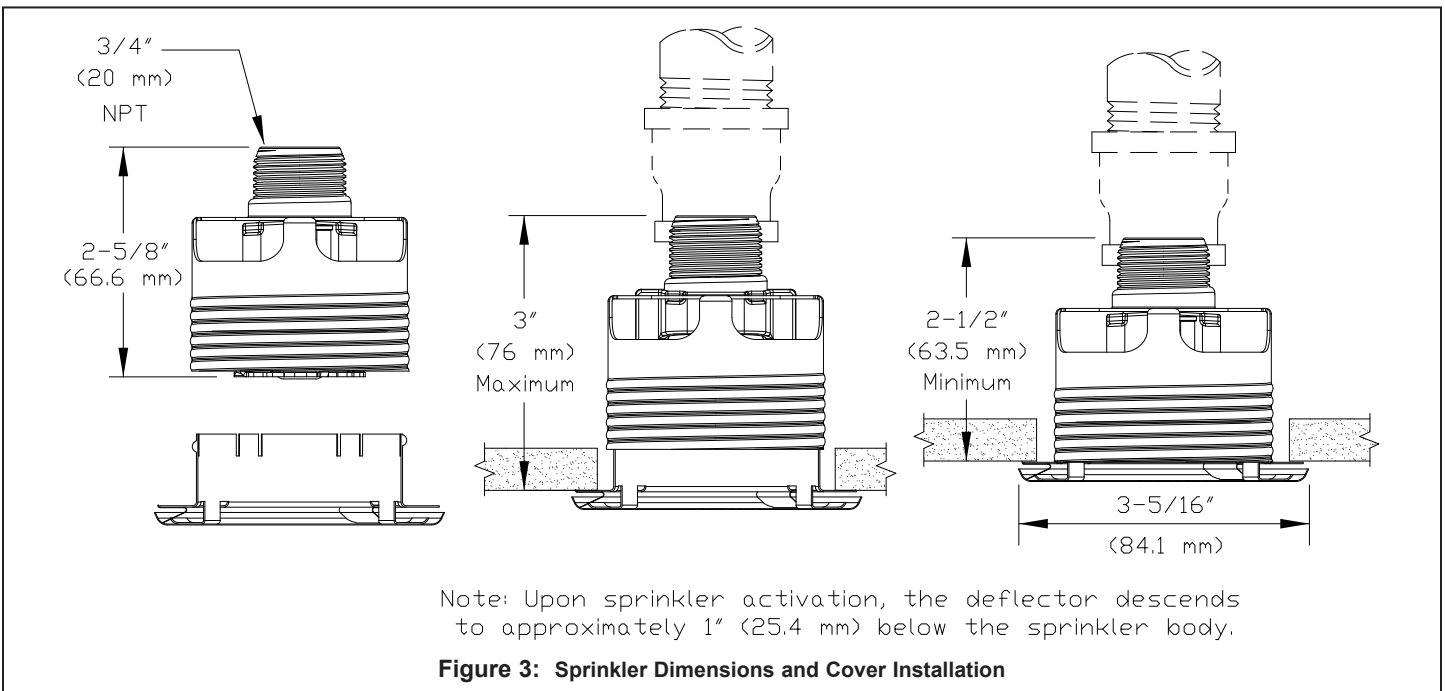


Figure 3: Sprinkler Dimensions and Cover Installation

**THIS PAGE
INTENTIONALLY
LEFT BLANK**