



TECHNICAL DATA

FREEDOM® RESIDENTIAL HORIZONTAL SIDEWALL SPRINKLER VK486 (K4.0)

The Viking Corporation, 210 N Industrial Park Drive, Hastings MI 49058

Telephone: 269-945-9501 Technical Services: 877-384-5464 Fax: 269-818-1680 Email: techsvcs@vikingcorp.com

1. DESCRIPTION

Viking Freedom® Residential Horizontal Sidewall Sprinkler VK486 is a small, thermostatic, glass-bulb residential sprinkler available in several different finishes and temperature ratings to meet varying design requirements. The sprinkler orifice design, with a K-Factor of 4.0 (57.7 metric†), allows efficient use of available water supplies for the hydraulically designed fire-protection system. The glass bulb operating element and special deflector characteristics meet the challenges of residential sprinkler standards.

2. LISTINGS AND APPROVALS

cUL_{us} Listed: Category VKKW

Refer to the Approval Chart on pages 156w and Design Criteria on page 156x for cULus Listing requirements that must be followed.

3. TECHNICAL DATA

Specifications:

Available since 2011.

Minimum Operating Pressure: Refer to the Approval Chart.

Maximum Working Pressure: 175 psi (12 bar). Factory tested hydrostatically to 500 psi (34.5 bar).

Thread size: 1/2" (15 mm) NPT

Nominal K-Factor: 4.0 U.S. (57.7 metric†)

† Metric K-factor measurement shown is in Bar. When pressure is measured in kPa, divide the metric K-factor shown by 10.0.

Glass-bulb fluid temperature rated to -65 °F (-55 °C)

Overall Length: 2-7/16" (62 mm)

Material Standards:

Frame Casting: QM Brass and Brass UNS-C84400

Deflector: Phosphor Bronze UNS-C51000

Bulb: Glass, nominal 3 mm diameter

Belleville Spring Sealing Assembly: Nickel Alloy, coated on both sides with Teflon Tape

Pip Cap and Insert Assembly: Copper UNS-C11000 and Stainless Steel UNS-S30400

Compression Screws: 18-8 Stainless Steel

Yoke: Phosphor Bronze UNS-C51000

Ordering Information: (Also refer to the current Viking price list.)

Sprinkler: Base Part No. 17315

Order Sprinkler VK486 by first adding the appropriate suffix for the sprinkler finish and then the appropriate suffix for the temperature rating to the sprinkler base part number.

Finish Suffix: Brass = A, Chrome-Enloy® = F, and White Polyester = M-/W

Temperature Suffix: 155 °F (68 °C) = B, 175 °F (79 °C) = D

For example, sprinkler VK486 with a Brass finish and a 155 °F (68 °C) temperature rating = Part No. 17315AB.

Available Finishes And Temperature Ratings:

Refer to Table 1.

Accessories: (Also refer to the "Sprinkler Accessories" section of the Viking data book.)

Sprinkler Wrenches:

A. Standard Wrench: Part No. 10896W/B (available since 2000)

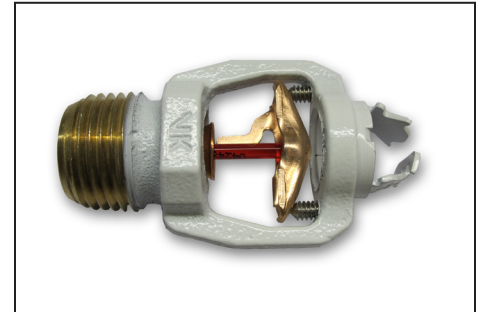
B. Wrench for recessed sprinklers: Part No. 13655W/B* (available since 2006)

*A 1/2" ratchet is required (not available from Viking).

Sprinkler Cabinets:

A. Six-head capacity: Part No. 01724A (available since 1971)

B. Twelve-head capacity: Part No. 01725A (available since 1971)



Viking Technical Data may be found on
The Viking Corporation's Web site at
<http://www.vikinggroupinc.com>.
The Web site may include a more recent
edition of this Technical Data Page.

	TECHNICAL DATA	FREEDOM® RESIDENTIAL HORIZONTAL SIDEWALL SPRINKLER VK486 (K4.0)
---	-----------------------	--

The Viking Corporation, 210 N Industrial Park Drive, Hastings MI 49058

Telephone: 269-945-9501 Technical Services: 877-384-5464 Fax: 269-818-1680 Email: techsvcs@vikingcorp.com

4. INSTALLATION

Refer to appropriate NFPA Installation Standards. For NFPA 13D horizontal ceiling criteria and slopes, refer to TIA 1028R for slope ceiling criteria exceptions.

5. OPERATION

During fire conditions, the heat-sensitive liquid in the glass bulb expands, causing the glass to shatter, releasing the yoke, pip cap, and sealing spring assembly. Water flowing through the sprinkler orifice strikes the sprinkler deflector, forming a uniform spray pattern to extinguish or control the fire.

6. INSPECTIONS, TESTS AND MAINTENANCE

Refer to NFPA 25 for Inspection, Testing and Maintenance requirements.

7. AVAILABILITY

Viking Sprinkler VK486 is available through a network of domestic and international distributors. See The Viking Corporation web site for the closest distributor or contact The Viking Corporation.

8. GUARANTEE

For details of warranty, refer to Viking's current list price schedule or contact Viking directly.

TABLE 1: AVAILABLE SPRINKLER TEMPERATURE RATINGS AND FINISHES

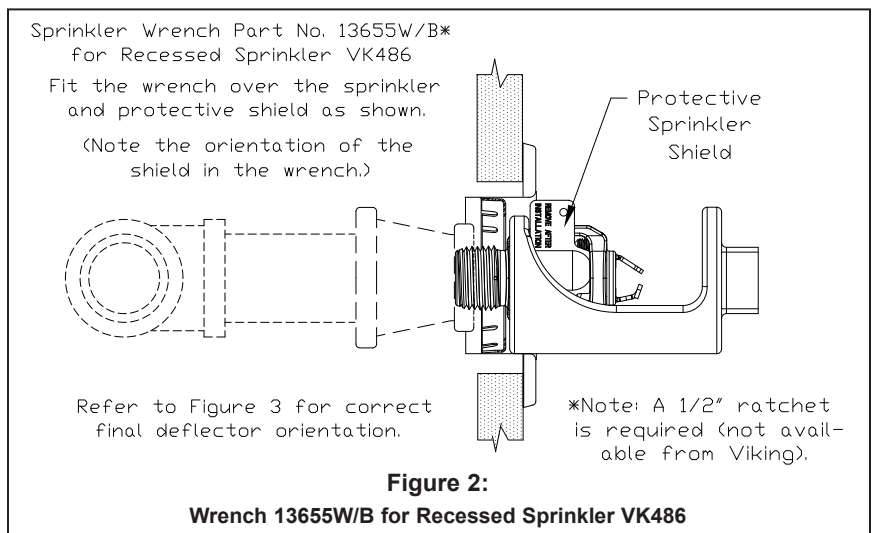
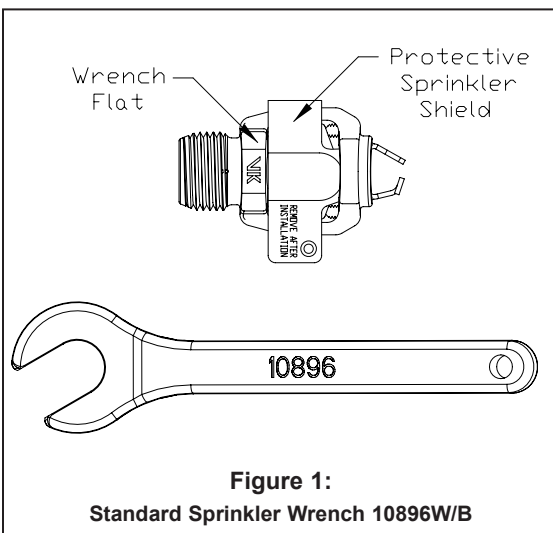
Sprinkler Temperature Classification	Sprinkler Nominal Temperature Rating ¹	Maximum Ambient Ceiling Temperature ²	Bulb Color
Ordinary	155 °F (68 °C)	100 °F (38 °C)	Red
Intermediate	175 °F (79 °C)	150 °F (65 °C)	Yellow


Sprinkler Finishes: Brass, Chrome-Enloy® (patents pending), White Polyester, and Black Polyester.

Footnotes

¹ The sprinkler temperature rating is stamped on the deflector.

² Based on NFPA-13. Other limits may apply, depending on fire loading, sprinkler location, and other requirements of the Authority Having Jurisdiction. Refer to specific installation standards.



	<h2 style="margin: 0;">TECHNICAL DATA</h2>	<h3 style="margin: 0;">FREEDOM® RESIDENTIAL HORIZONTAL SIDEWALL SPRINKLER VK486 (K4.0)</h3>
---	--	---

The Viking Corporation, 210 N Industrial Park Drive, Hastings MI 49058
Telephone: 269-945-9501 Technical Services: 877-384-5464 Fax: 269-818-1680 Email: techsvcs@vikingcorp.com

Sprinkler Base Part Number ¹	NPT Thread Size		Nominal K-Factor		Maximum Water Working Pressure	Overall Length	
	Inches	mm	U.S.	metric ²		Inches	mm
17315	1/2	15	4.0	57.7	175 psi (12 Bar)	2-7/16	62

<h3 style="margin: 0;">Approval Chart</h3> <p style="margin: 0;">Residential Horizontal Sidewall Sprinkler VK486 For systems designed to NFPA 13D⁷ or NFPA 13R. For systems designed to NFPA 13, refer to the design criteria on page 156x.</p>	<table border="1" style="border-collapse: collapse;"> <tr> <td style="padding: 2px;">Temperature</td> <td rowspan="3" style="text-align: center; vertical-align: middle;">KEY</td> </tr> <tr> <td style="padding: 2px;">Finish</td> </tr> <tr> <td style="padding: 2px;">A1X ← Escutcheon (if applicable)</td> </tr> </table>	Temperature	KEY	Finish	A1X ← Escutcheon (if applicable)
Temperature	KEY				
Finish					
A1X ← Escutcheon (if applicable)					

**Installed below smooth, flat, horizontal ceilings, including ceilings with slopes up to and including 2/12 (9.5°).
 With the deflector located between 4" and 6" (102 mm and 152 mm) below the ceiling.**

Maximum Areas of Coverage ³ (Width x Length)	Minimum Water Supply Requirements ³	Listings and Approvals ⁴ (Refer also to Design Criteria on page 156x.)		
		cULus ^{5,6}	NYC	NSF
12' x 12' (3.7 m x 3.7 m)	11 gpm @ 7.6 psi (41.7 L/min @ 0.52 Bar)	A1X	See Footnote 8.	--
14' x 14' (4.3 m x 4.3 m)	12 gpm @ 9 psi (45.5 L/min @ 0.62 Bar)	A1X	See Footnote 8.	--
16' x 16' (4.9 m x 4.9 m)	13 gpm @ 10.6 psi (49.3 L/min @ 0.73 Bar)	A1X	See Footnote 8.	--
16' x 18' (4.9 m x 5.5 m)	16 gpm @ 16 psi (60.6 L/min @ 1.1 Bar)	A1X	See Footnote 8.	--
16' x 20' (4.9 m x 6.1 m)	22 gpm @ 30.3 psi (83.3 L/min @ 2.09 Bar)	A1X	See Footnote 8.	--
16' x 22' (4.9 m x 6.7 m)	24 gpm @ 36 psi (90.8 L/min @ 2.48 Bar)	A1X	See Footnote 8.	--
18' x 18' (5.5 m x 5.5 m)	18 gpm @ 20.3 psi (68.1 L/min @ 1.4 Bar)	B1X	See Footnote 8.	--
18' x 18' (5.5 m x 5.5 m)	19 gpm @ 22.6 psi (71.9 L/min @ 1.6 Bar)	C1X	See Footnote 8.	--
18' x 20' (5.5 m x 6.1 m)	22 gpm @ 30.3 psi (83.3 L/min @ 2.09 Bar)	A1X	See Footnote 8.	--
20' x 20' (6.1 m x 6.1 m)	22 gpm @ 30.3 psi (83.3 L/min @ 2.09 Bar)	A1X	See Footnote 8.	--

**Installed below smooth, flat, horizontal ceilings, including ceilings with slopes up to and including 2/12 (9.5°).
 With the deflector located between 6" and 12" (152 mm and 305 mm) below the ceiling.**

12' x 12' (3.7 m x 3.7 m)	12 gpm @ 9 psi (45.5 L/min @ 0.62 Bar)	A1X	See Footnote 8.	--
14' x 14' (4.3 m x 4.3 m)	12 gpm @ 9 psi (45.5 L/min @ 0.62 Bar)	B1X	See Footnote 8.	--
14' x 14' (4.3 m x 4.3 m)	13 gpm @ 10.6 psi (49.3 L/min @ 0.73 Bar)	C1X	See Footnote 8.	--
16' x 16' (4.9 m x 4.9 m)	14 gpm @ 12.3 psi (53 L/min @ 0.84 Bar)	A1X	See Footnote 8.	--
16' x 18' (4.9 m x 5.5 m)	16 gpm @ 16 psi (60.6 L/min @ 1.1 Bar)	A1X	See Footnote 8.	--
16' x 20' (4.9 m x 6.1 m)	23 gpm @ 33.1 psi (87.1 L/min @ 2.28 Bar)	A1X	See Footnote 8.	--
16' x 22' (4.9 m x 6.7 m)	26 gpm @ 42.3 psi (98.4 L/min @ 2.91 Bar)	A1X	See Footnote 8.	--
18' x 18' (5.5 m x 5.5 m)	18 gpm @ 20.3 psi (68.1 L/min @ 1.4 Bar)	B1X	See Footnote 8.	--
18' x 18' (5.5 m x 5.5 m)	19 gpm @ 22.6 psi (71.9 L/min @ 1.6 Bar)	C1X	See Footnote 8.	--
18' x 20' (5.5 m x 6.1 m)	23 gpm @ 33.1 psi (87.1 L/min @ 2.28 Bar)	A1X	See Footnote 8.	--
20' x 20' (6.1 m x 6.1 m)	24 gpm @ 36 psi (90.8 L/min @ 2.48 Bar)	A1X	See Footnote 8.	--

Approved Temperature Ratings A - 155 °F (68 °C) and 175 °F (79 °C) B - 155 °F (68 °C) C - 175 °F (79 °C)	Approved Finishes 1 - Brass, Chrome-Enloy®, White Polyester, and Black Polyester ⁹	Approved Escutcheons X - Standard surface-mounted escutcheons or the Viking Microfast® Model F-1 Adjustable Escutcheon or recessed with the Viking Micromatic® Model E-1 or E-2 Recessed Escutcheon, or the Model G-1 Adjustable Escutcheon.
--	---	--

Footnotes

¹ Base part number shown. For complete part number, refer to Viking's current price list.
² Metric K-Factor measurement shown is when pressure is measured in Bar. When pressure is measured in kPa, divide the metric K-Factor shown by 10.0.
³ For areas of coverage smaller than shown, use the "Minimum Water Supply Requirement" for the next larger area listed. Flows and pressures listed are per sprinkler. The distance from sprinklers to walls shall not exceed one-half the sprinkler spacing indicated for the minimum Water Supply Requirement" used.
⁴ This chart shows the listings and approvals available at the time of printing. Other approvals may be in process. Check with the manufacturer for any additional approvals.
⁵ Listed by Underwriter's Laboratories, Inc. for use in the U.S. and Canada.
⁶ Listing is for residential occupancies with smooth, flat, horizontal ceilings, including ceilings with slopes up to and including 2/12 (9.5°).
⁷ Refer to TIA 1028R slope ceiling criteria exceptions.
⁸ Meets New York City requirements, effective July 1, 2008.
⁹ Other paint colors are available on request with the same cULus Listings as the standard finish colors.

	<h2 style="margin: 0;">TECHNICAL DATA</h2>	<h3 style="margin: 0;">FREEDOM® RESIDENTIAL HORIZONTAL SIDEWALL SPRINKLER VK486 (K4.0)</h3>
---	--	---

The Viking Corporation, 210 N Industrial Park Drive, Hastings MI 49058
 Telephone: 269-945-9501 Technical Services: 877-384-5464 Fax: 269-818-1680 Email: techsvcs@vikingcorp.com

DESIGN CRITERIA
 (Also refer to the Approval Chart on page 156w.)

cULus Listing Requirements:

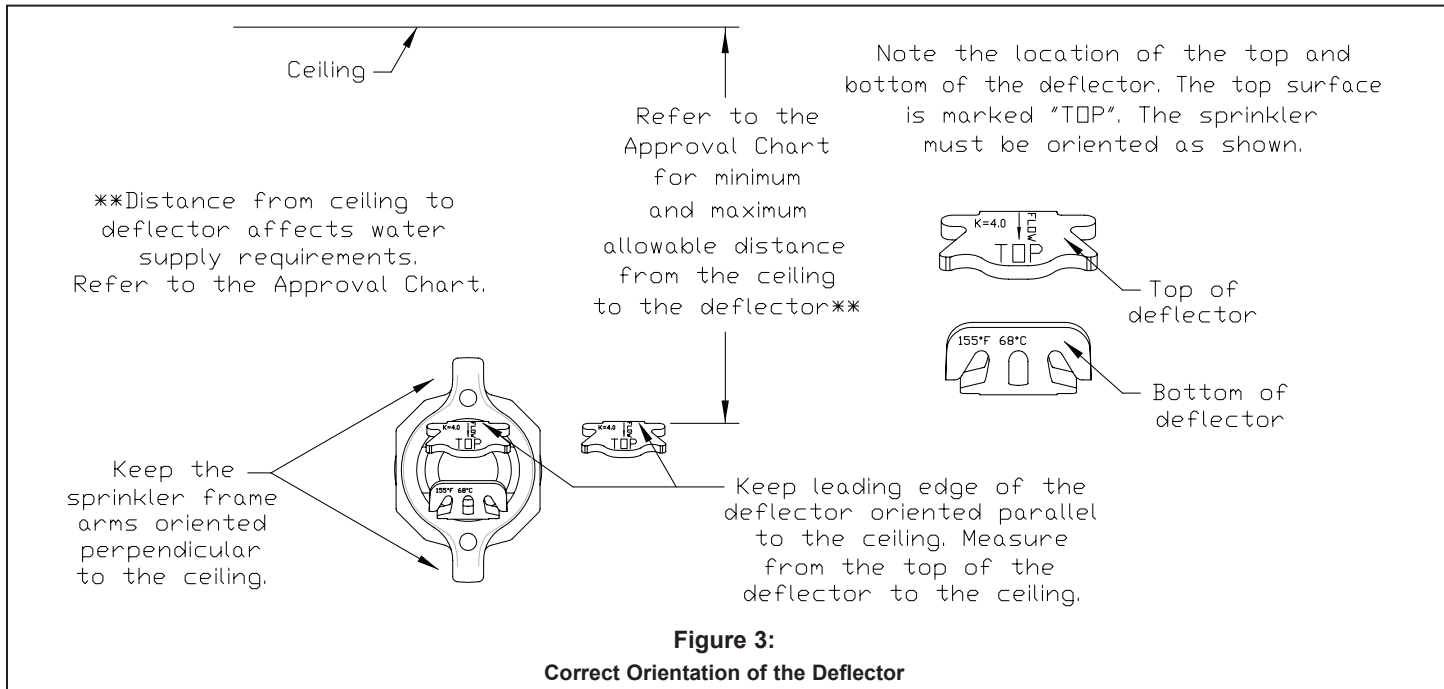
When using Viking Residential Horizontal Sidewall Sprinkler VK486 for systems designed to NFPA 13D or NFPA 13R, apply the listed areas of coverage and minimum water supply requirements shown in the Approval Chart on page 156w.

For systems designed to NFPA 13: The number of design sprinklers is to be the four contiguous most hydraulically demanding sprinklers. The minimum required discharge from each of the four sprinklers is to be the greater of the following:

- The flow rates given in the Approval Chart on data page 156w for NFPA 13D and NFPA 13R applications for each listed area of coverage, **or**
- Calculated based on a minimum discharge of 0.1 gpm/sq. ft. over the “design area” in accordance with sections 8.5.2.1 or 8.6.2.1.2 of NFPA 13.
- Minimum distance between residential sprinklers: 8 ft. (2.4 m).
- The VK486 horizontal sidewall sprinkler deflector shall be located a minimum of 1-1/4” (31.8 mm) and a maximum of 6” (152 mm) from the wall on which it is installed.

DEFLECTOR POSITION: Install sprinkler VK486 with the leading edge of the deflector oriented parallel to the ceiling and the sprinkler frame arms oriented perpendicular to the ceiling (see Figure 4). **THE TOP SURFACE OF THE DEFLECTOR IS MARKED “TOP”.** The sprinkler must be oriented as shown in Figure 3 below.

IMPORTANT: Always refer to Bulletin Form No. F_091699 - Care and Handling of Sprinklers. Also refer to pages RES1-17 for general care, installation, and maintenance information. Viking sprinklers are to be installed in accordance with the latest edition of Viking technical data, the appropriate standards of NFPA and any other similar Authorities Having Jurisdiction, and also with the provisions of governmental codes, ordinances, and standards, whenever applicable. Final approval and acceptance of all residential sprinkler installations must be obtained from the Authorities Having Jurisdiction.



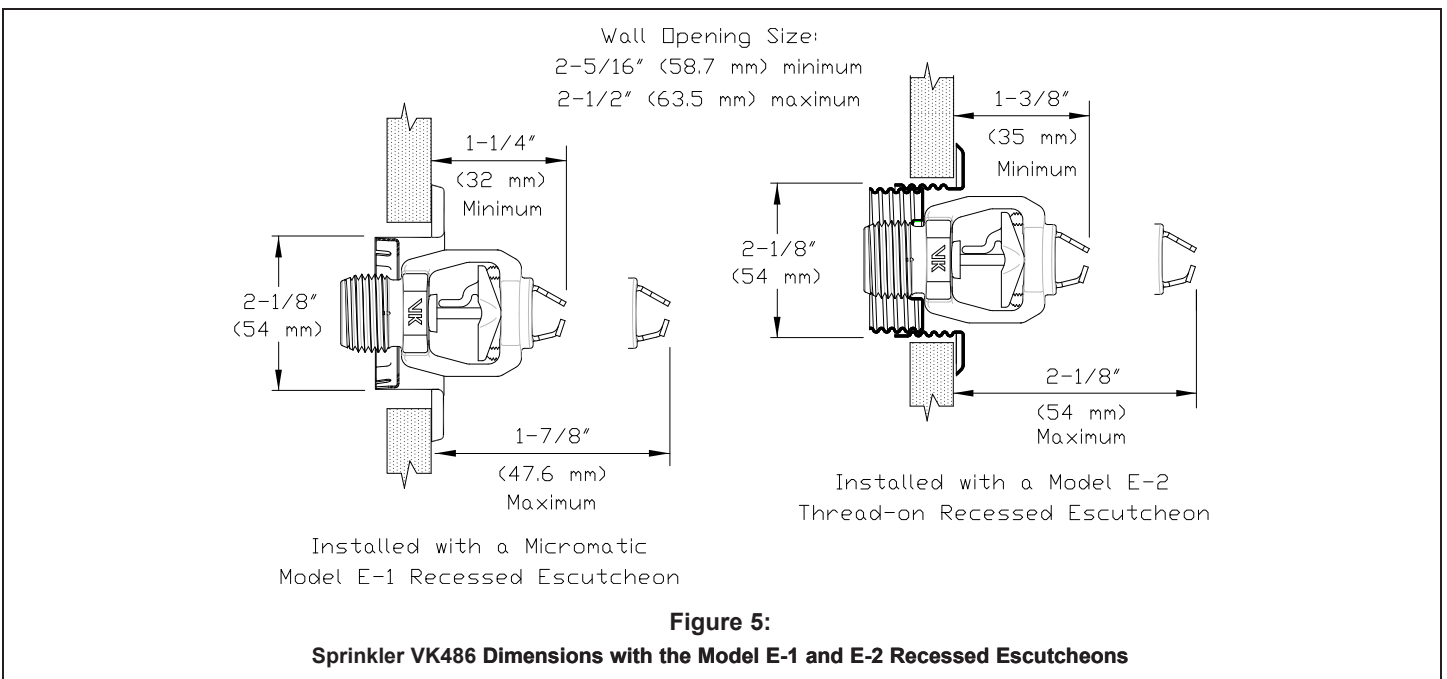
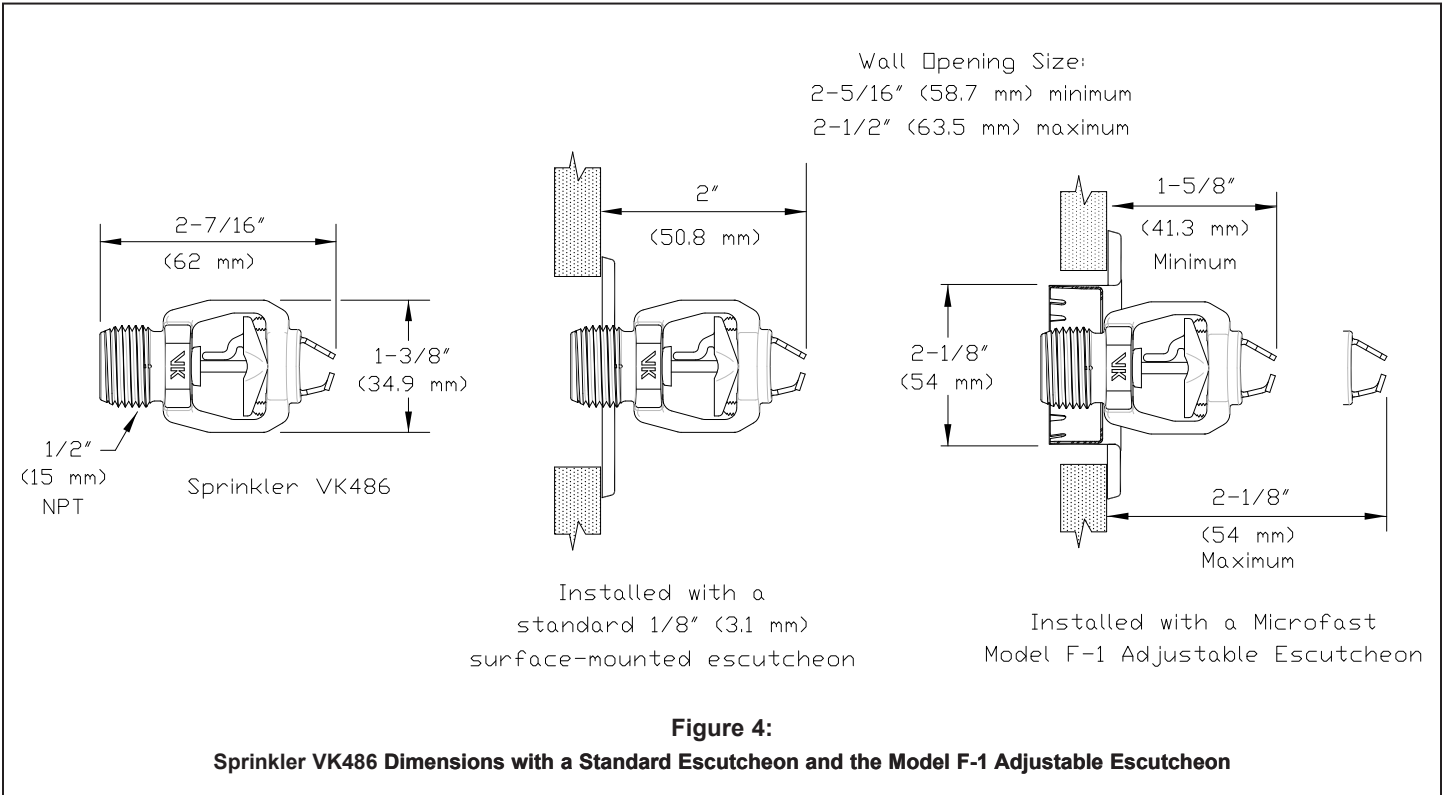


TECHNICAL DATA

FREEDOM® RESIDENTIAL HORIZONTAL SIDEWALL SPRINKLER VK486 (K4.0)

The Viking Corporation, 210 N Industrial Park Drive, Hastings MI 49058

Telephone: 269-945-9501 Technical Services: 877-384-5464 Fax: 269-818-1680 Email: techsvcs@vikingcorp.com





TECHNICAL DATA

FREEDOM® RESIDENTIAL
HORIZONTAL SIDEWALL
SPRINKLER VK486 (K4.0)

The Viking Corporation, 210 N Industrial Park Drive, Hastings MI 49058
Telephone: 269-945-9501 Technical Services: 877-384-5464 Fax: 269-818-1680 Email: techsvcs@vikingcorp.com

