

S6ng

7.5 TONNE



Mobile Vehicle Lifts

The S6ng is one of the best selling lifts and accounts for over half of UK mobile lifts sold today.*

SOMERSTOTALKARE are the pioneers of heavy duty mobile vehicle lifts and have supplied more than 6000 sets of mobile vehicle lifts in the UK.

The S6ng Heavy Duty Mobile Lifts are manufactured to BS EN 1493 - 1999

FEATURES

Meets the demands of bus, coach and commercial vehicle markets

Columns have simple operating system

Fully Compliant to Health & Safety requirements



7.5 TONNE

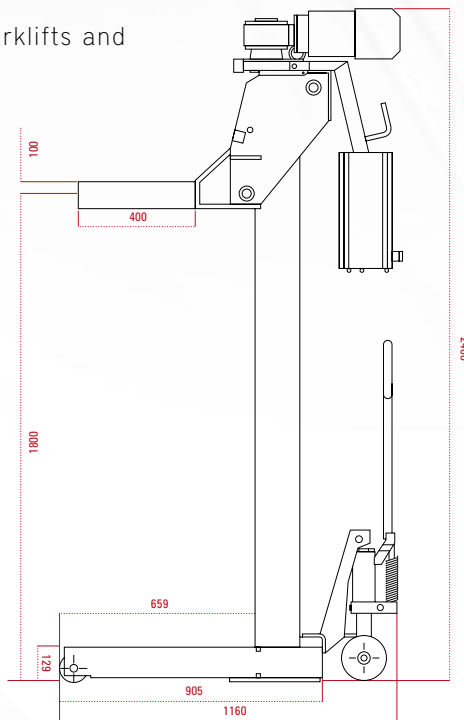
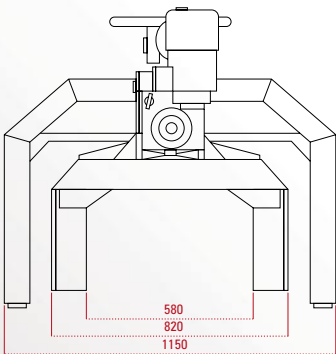
SPECIFICATION

S6^{ng}

www.stkare.co.uk

S6ng

- Universal Columns allow for ease of multiple applications with moveable power source
- Automatic synchronisation and communication between columns
- Recirculating ball nut and screw (efficiency over 90%)
- Electronic measurement by inductive sensors
- Electronic shutdown if obstruction detected
- Easy handling ensured by slim design and low column weight (450kg)
- Quick and easy interconnections of columns
- Independent locking safety device
- Special design lifts available for forklifts and other special vehicle applications
- Customised system available on request
- CE design certification



Please Note:
Diagrams are provided for illustrative purposes only. Specifications are subject to change without prior notice.

Load capacity per column:	7,500kg
Net weight per column:	450kg
Raising/lowering time:	100s
Motor power per column:	1.5kw
Control voltage:	220 / 24V
Supply voltage:	3~400 V+N+PE; 50Hz
System of protection:	IP55

- **Lifetime Warranty***
- **Try before you buy**
- **24hr Service Hotline**

*Terms and conditions apply
* From the GEA statistics 2007

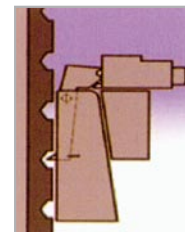
LIFTING SYSTEM

Hardened stainless steel screw with low friction recirculating ball nut. Splash proof and dirt repellent design giving long life and low maintenance.

Independent locking device acting directly between column and carriage.



Lifting System



Locking Device

SOMERSTOTALKARE

Web: www.stkare.co.uk Email: sales@stkare.co.uk
Tel: 0121 585 2724 Fax: 0121 585 2725