



# The All-Purpose Aerial.



Equipped with a combination telescopic and articulating boom, the Rosenbauer T-Rex is the fastest and most powerful articulating platform in the industry. The T-Rex is fully NFPA compliant as either an aerial platform or a quint with a midship pump, 300-gallon water tank, hose storage bed and 115' of ground ladders. Solid construction, multiple compartments and a reliable chassis back up this versatility, so your department is always ready to serve.

## Sound equipment for safer rescues.

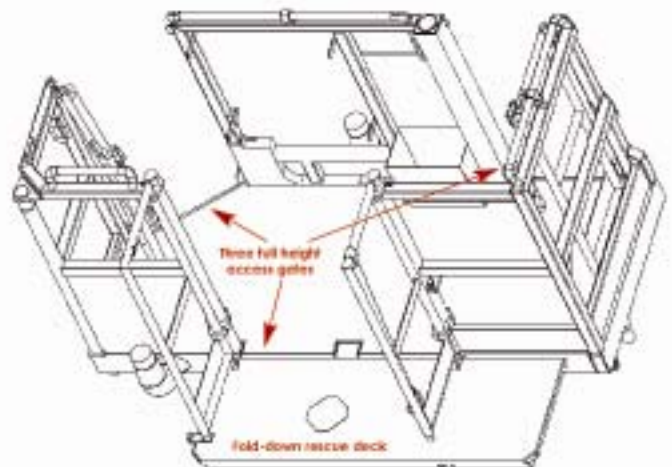
The T-Rex platform is CAN-bus controlled for smoother operation even when short-jacked in extremely narrow or congested areas. An auto-level jacking system allows a faster 25 to 30 second set-up time with an easy to use joystick and LCD screen mounted on the rear body corners.

## Everything within your reach.

The T-Rex articulating aerial boasts an impressive 1400 lbs. capacity and 102' vertical reach with a main boom elevation sweep of  $-3^{\circ}$  to  $82^{\circ}$ . Using both articulating and telescopic booms, the T-Rex easily stretches 15' below grade for bridge and water rescues or up and over buildings for safer rooftop access.

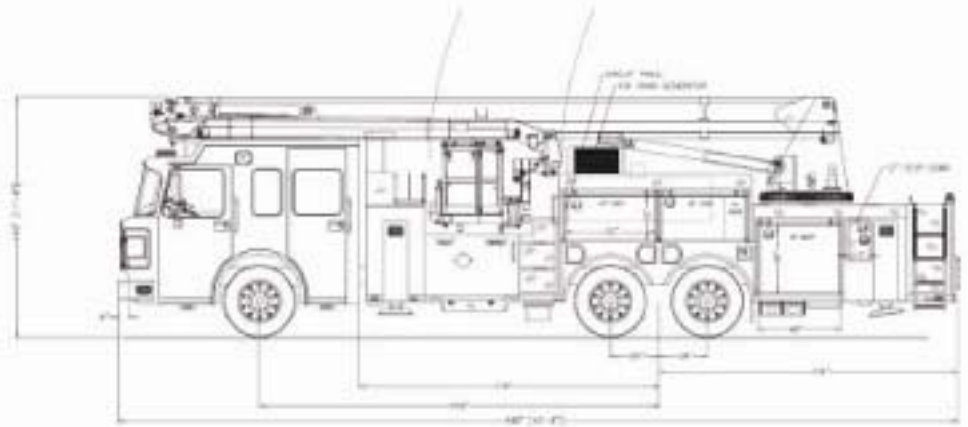
## The best platform for the job.

Among the most advanced in the industry, the T-Rex platform features a full  $96^{\circ}$  pivoting cage with uninterrupted  $48^{\circ}$  left and right pivoting capabilities. Three full height access gates, full circumference handrails and an impact protection system increase firefighter safety while protecting the platform from obstructions.



### Powerful cab and chassis.

The strength of the T-Rex articulating aerial is backed up by a Rosenbauer Commander AT cab and chassis with 525 horsepower. The 10" raised cab comfortably seats six, and the short 232" wheelbase provides excellent maneuverability.



### Rescues made easier.

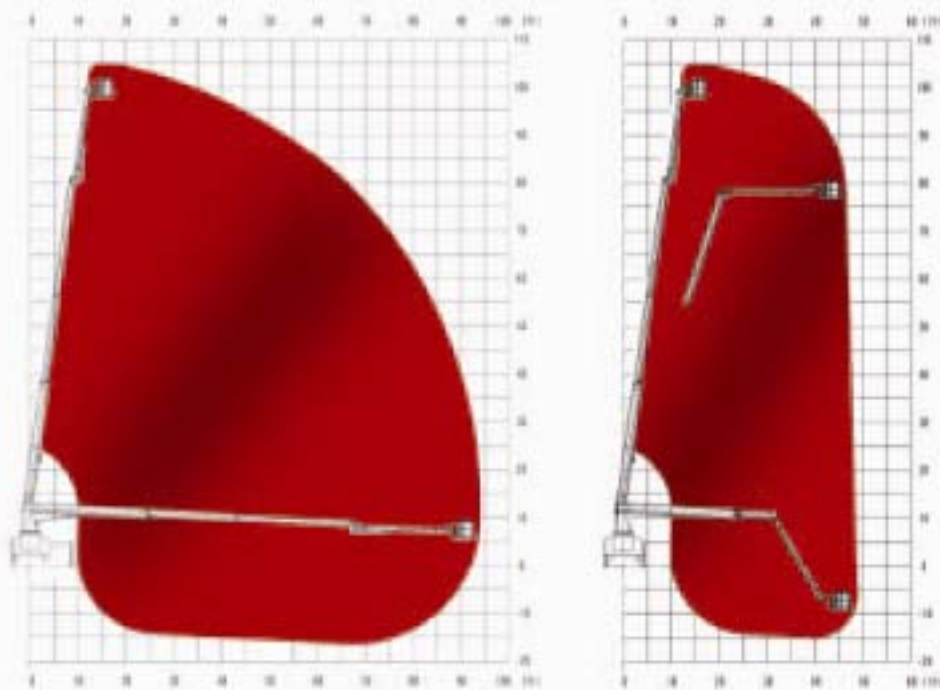
Unconventional rescues including roof-top or venting operations are performed easily and safely from inside the T-Rex platform. Conventional targets also become easier to access with the T-Rex platform's full swivel feature.

### T-Rex platform features include:

- Four person capacity plus 400 pounds of equipment load
- Fold-down front rescue deck
- Swing in and out locking gates
- Three full entrance/exit doors
- Full circumference safety handrails
- Out and down spray cooling nozzles
- Akron monitor and nozzle with 2.5" hand-line
- 48° left or right (96° sweep) uninterrupted pivot
- 110 VAC power and quartz lighting
- 24 VAC Collins spot lights at tip and on booms



## T-Rex Articulating Aerial Reach



Even when short-jacked, the T-Rex allows vertical and horizontal reach above or below grade.



**rosenbauer**  
*Firefighting Technology*

**READY TO SERVE**

[www.rosenbaueramerica.com](http://www.rosenbaueramerica.com)

Central Division 100 Third St., Lyons, SD 57041 605.543.5591 • General Division 5181 260th St., Wyoming, MN 55092 651.462.1000